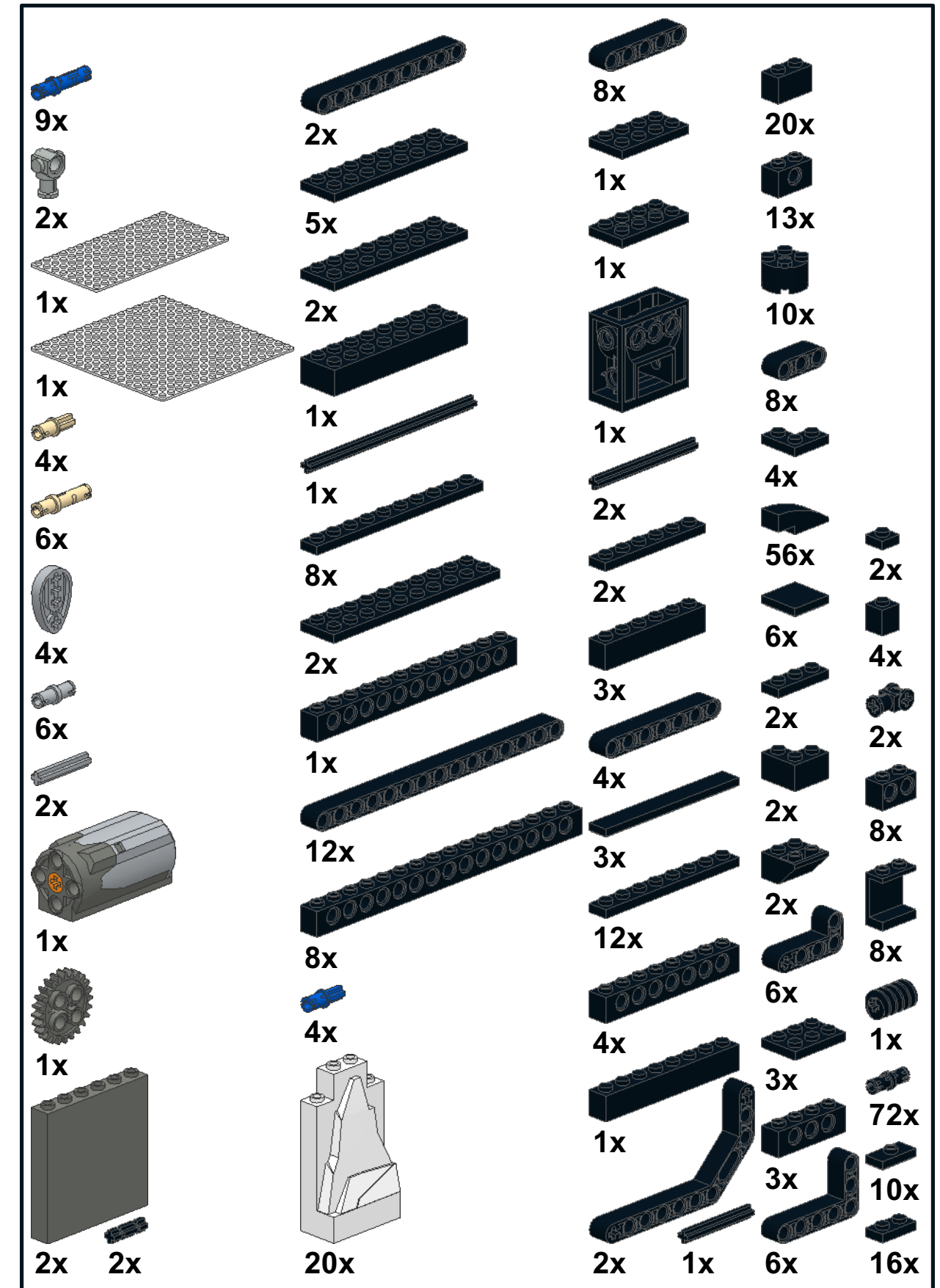
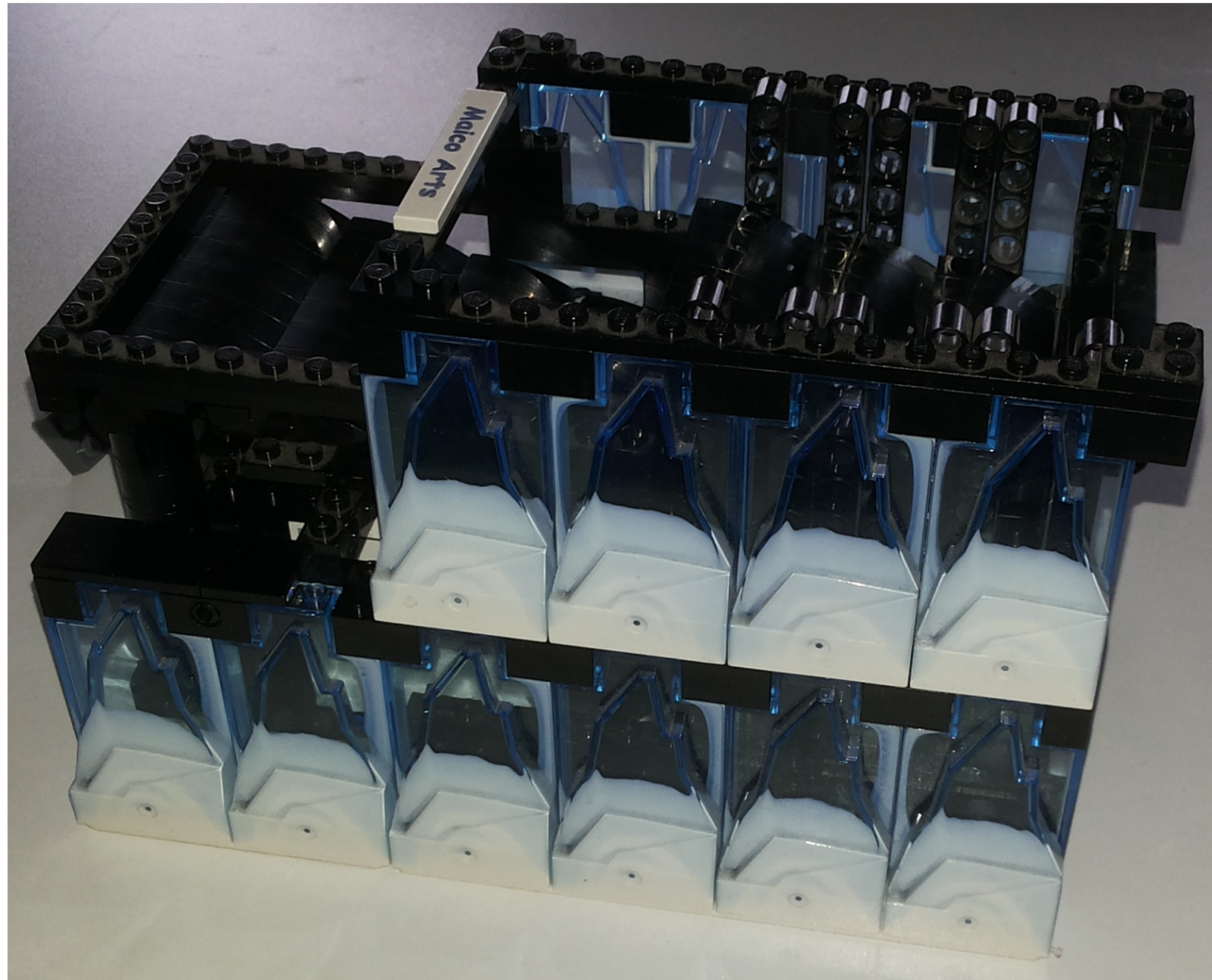


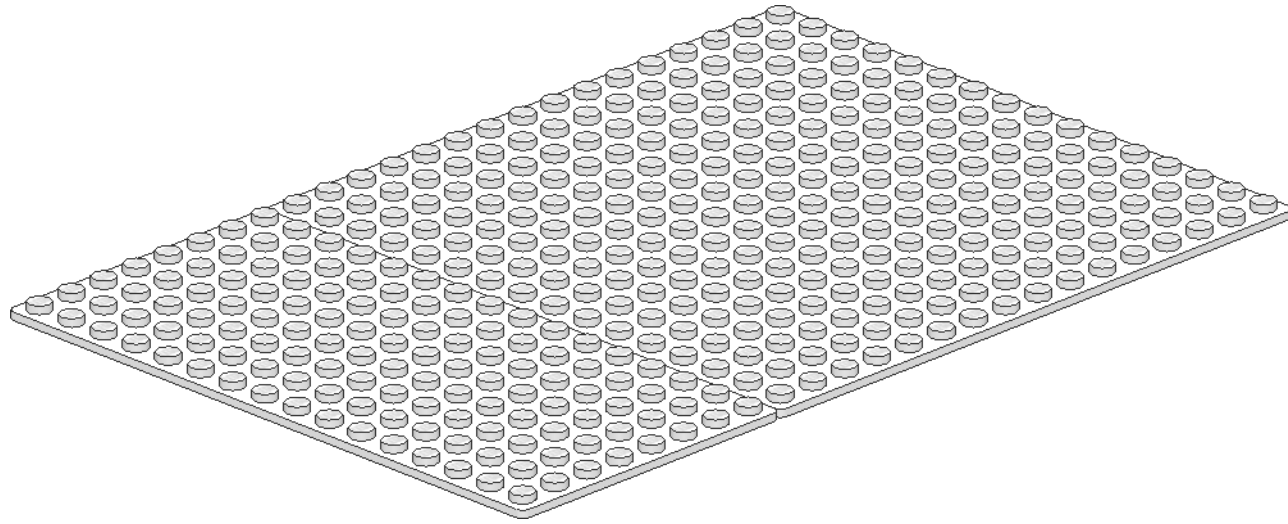
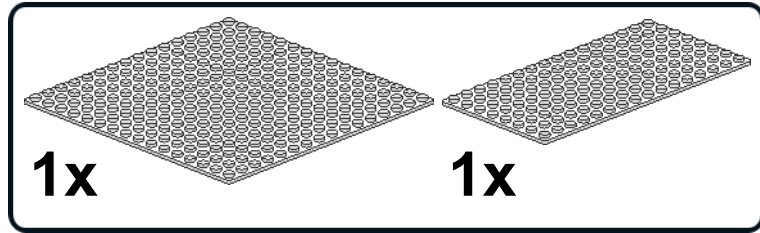
zwarte ijsblokjes

Model instructions by Maico Arts

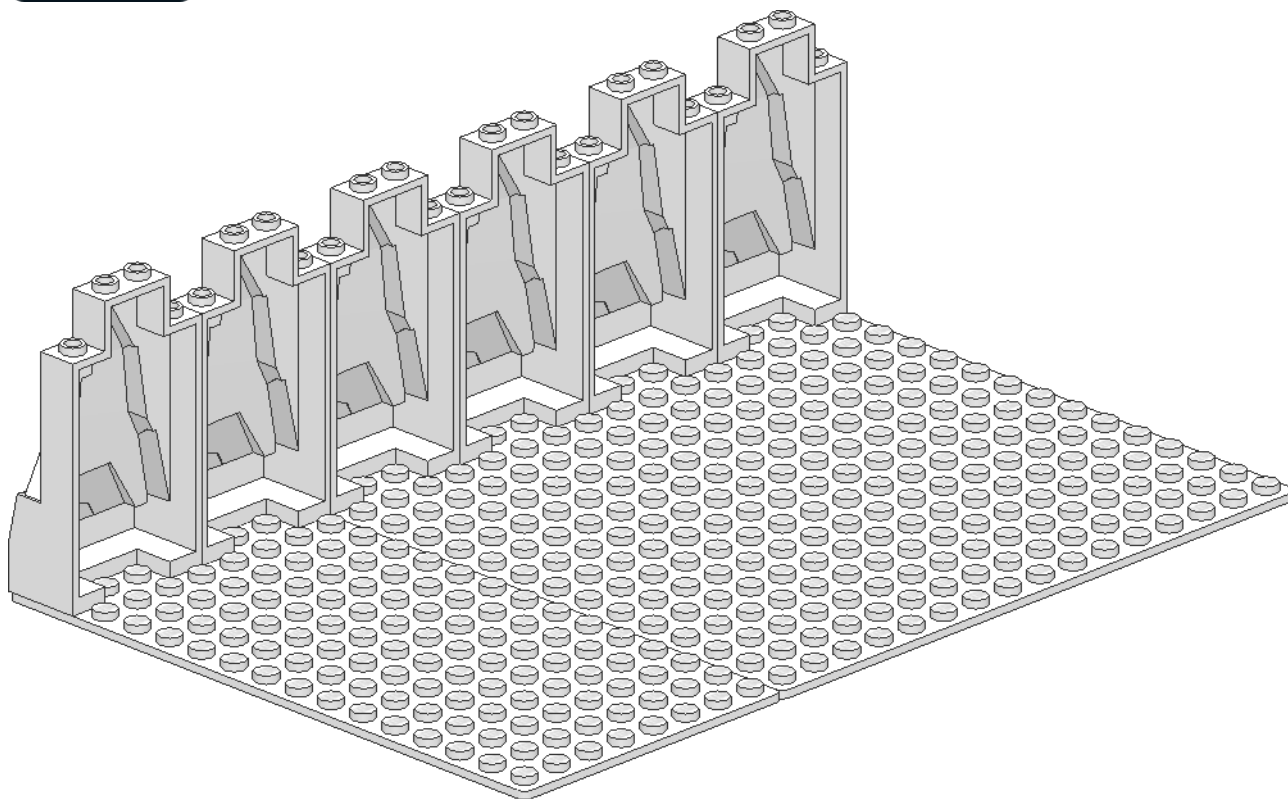
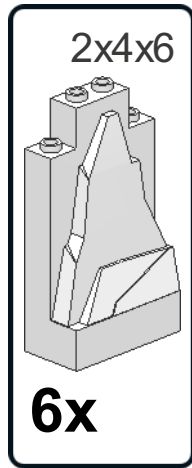
416 Pieces



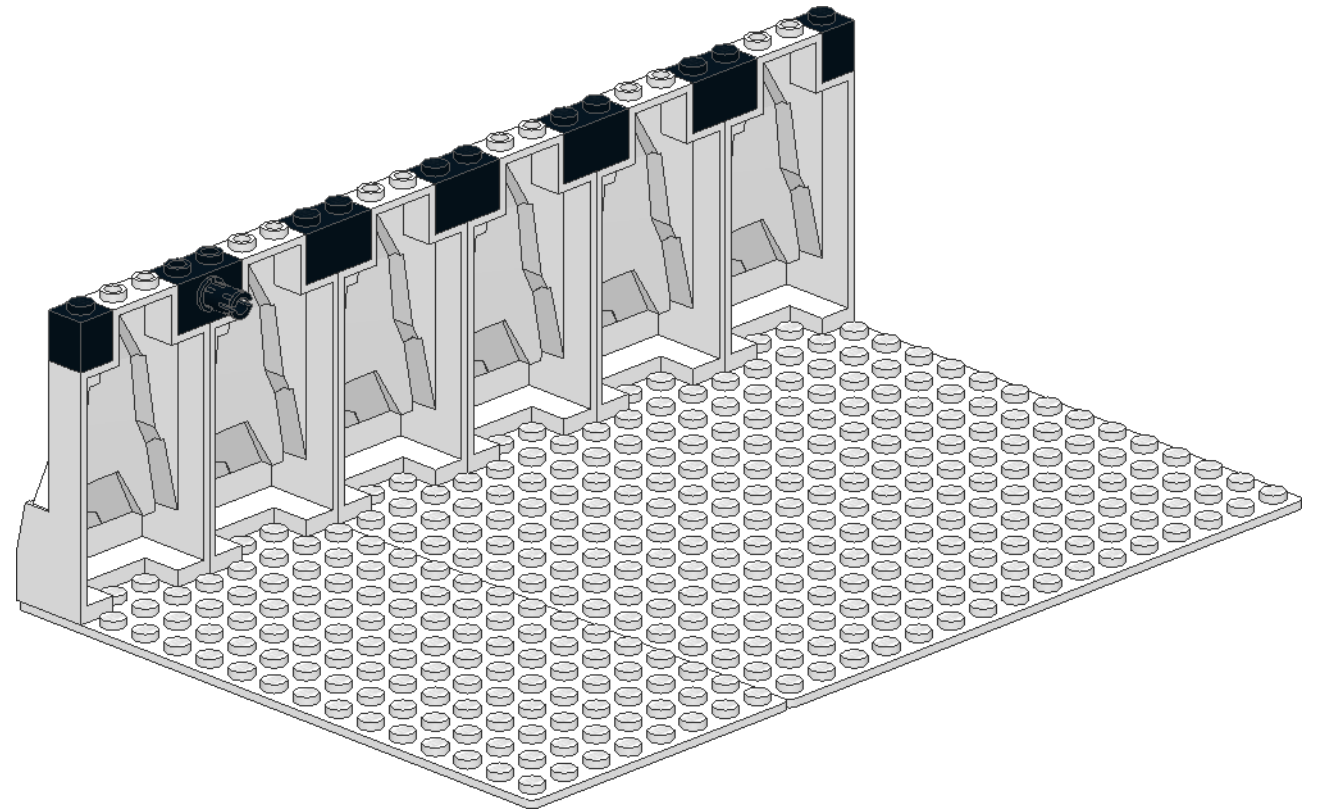
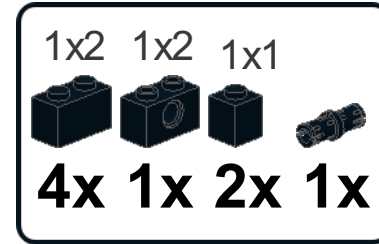
1



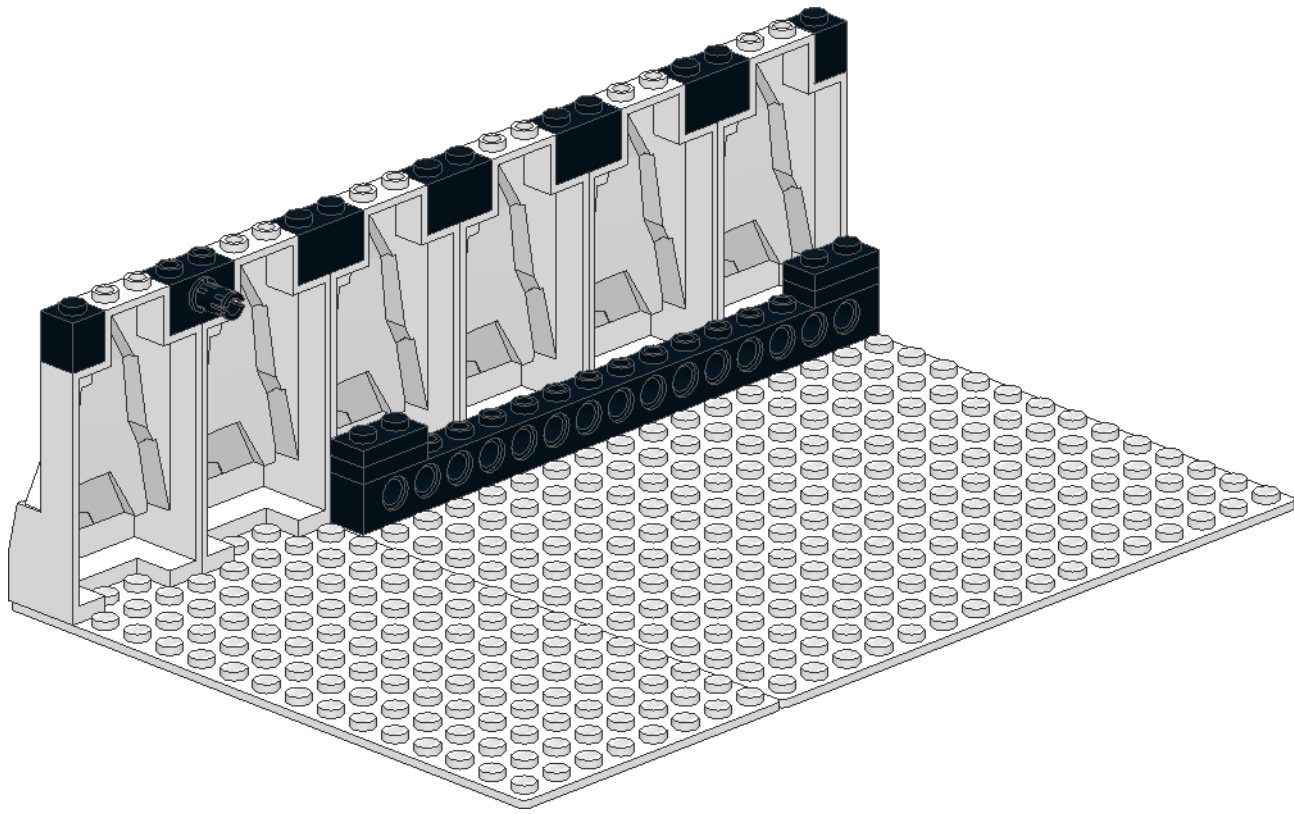
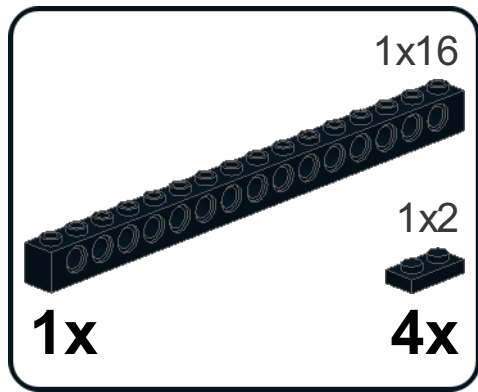
2



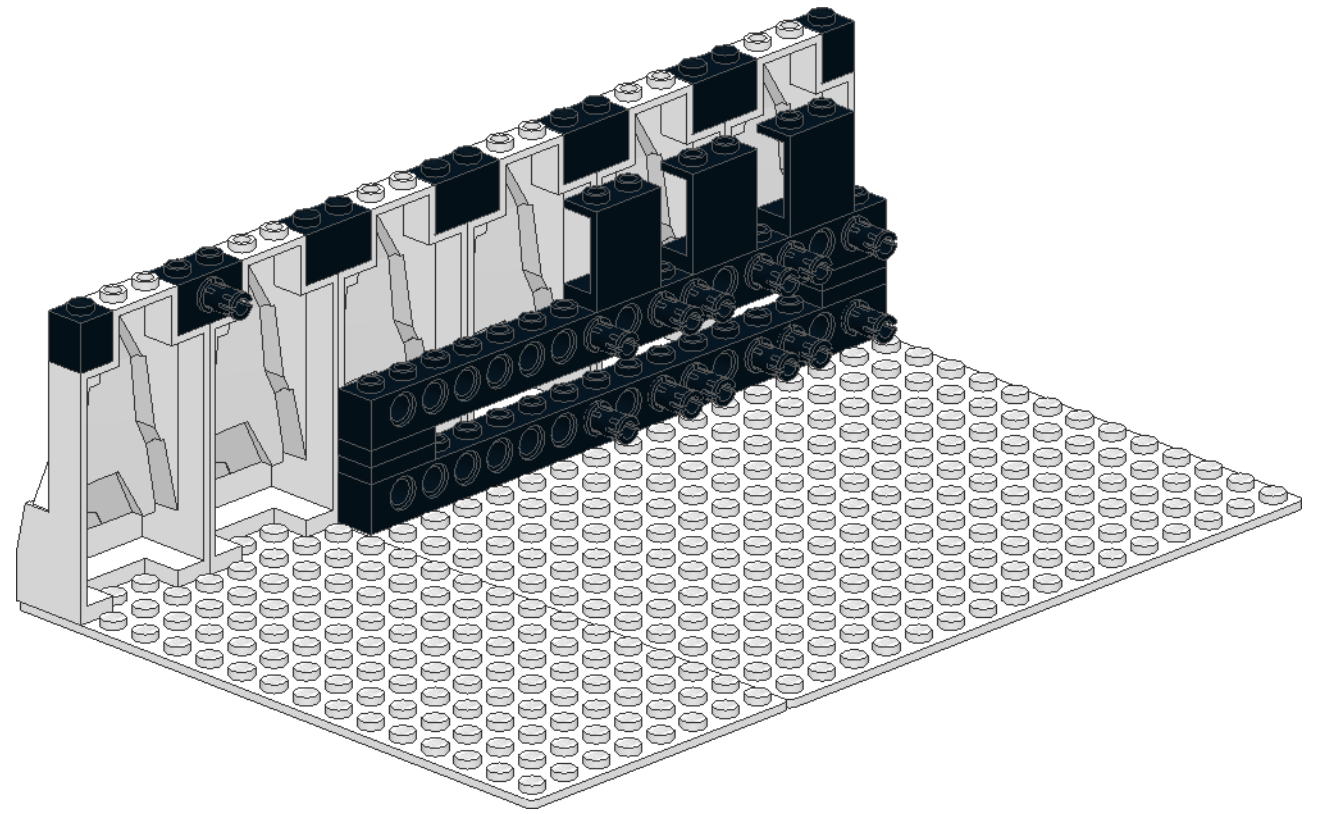
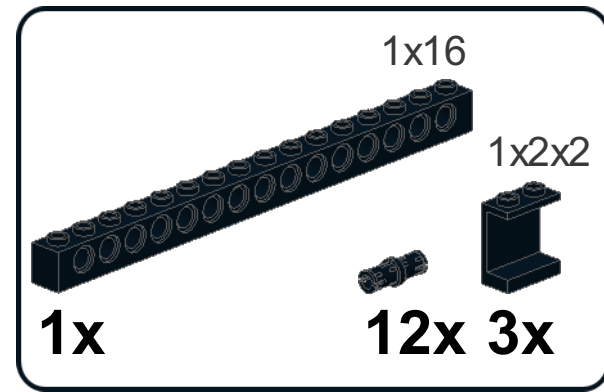
3



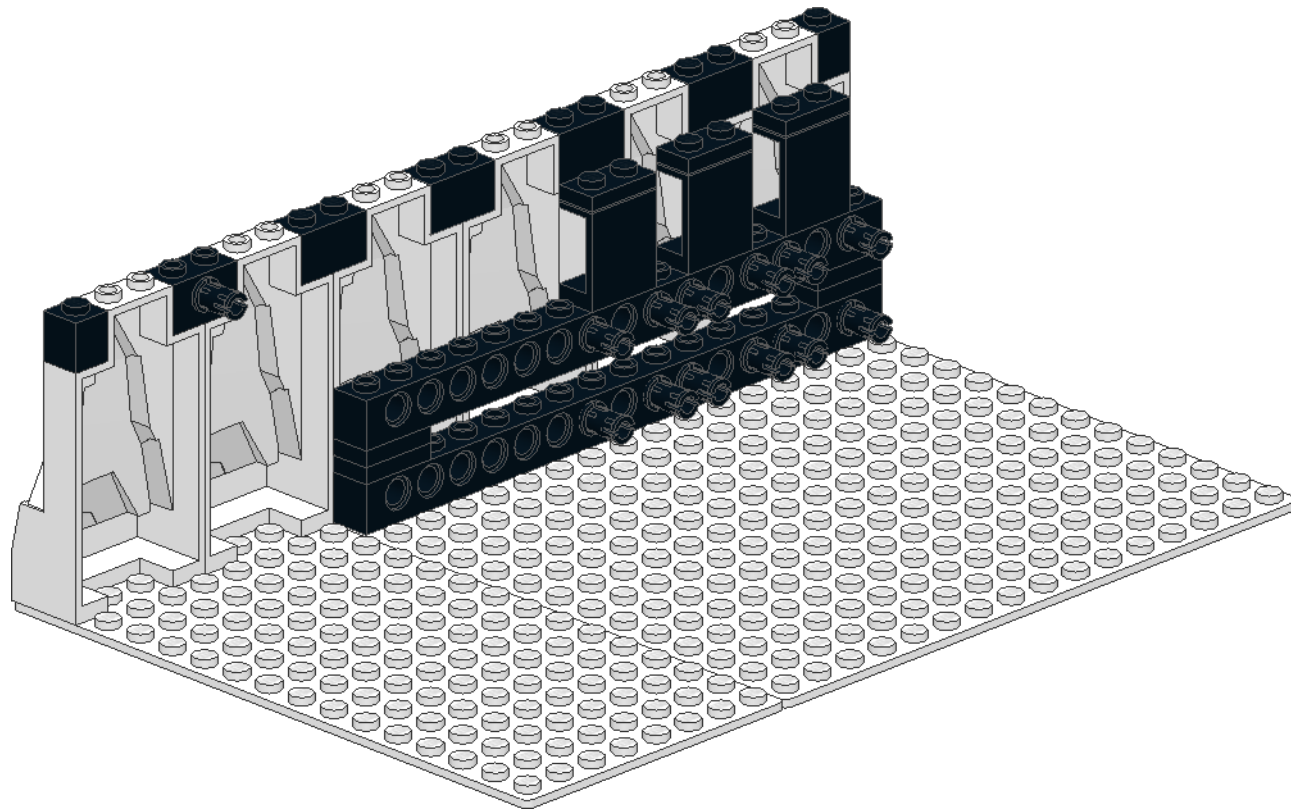
4



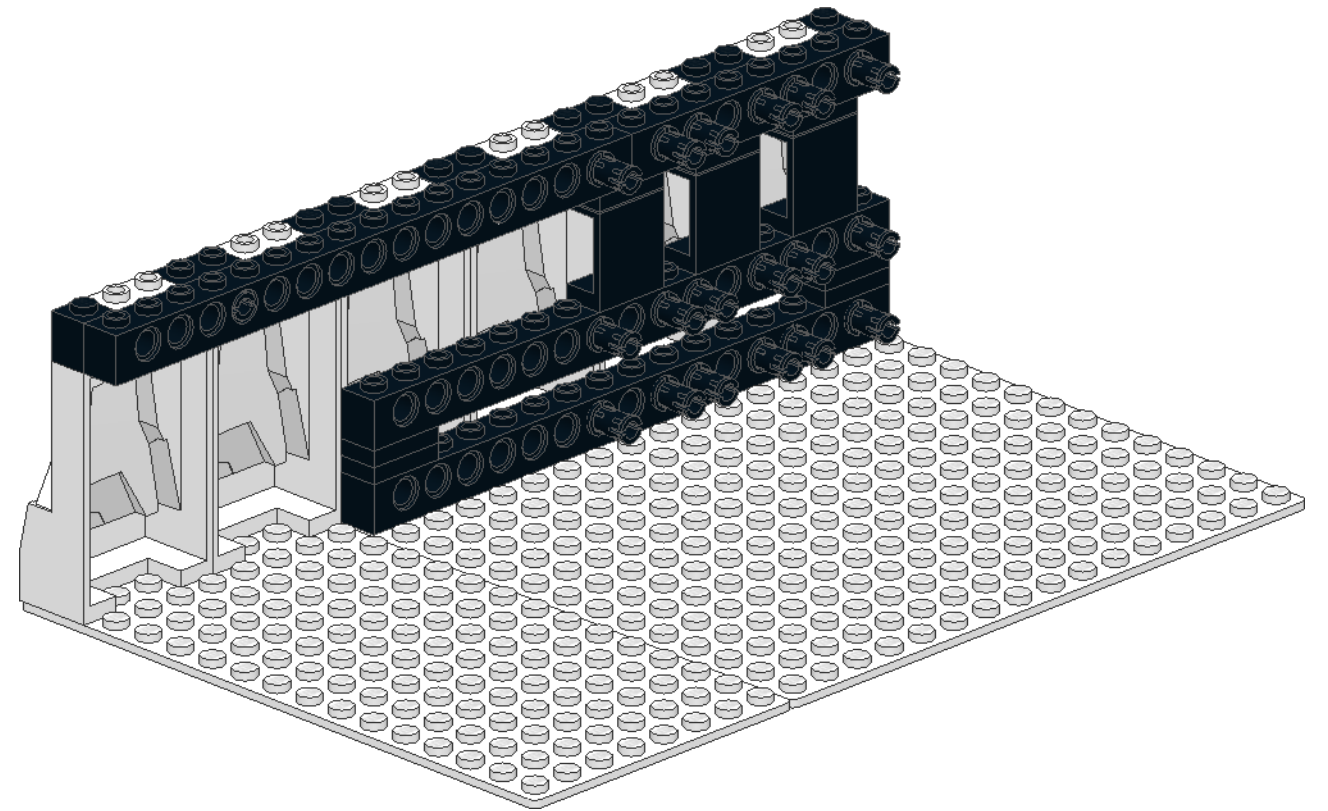
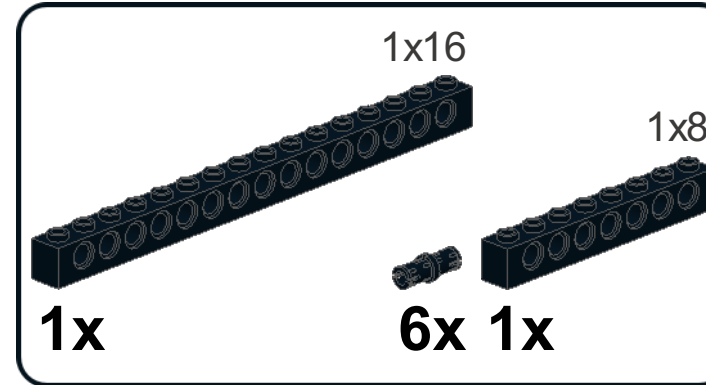
5



6



7

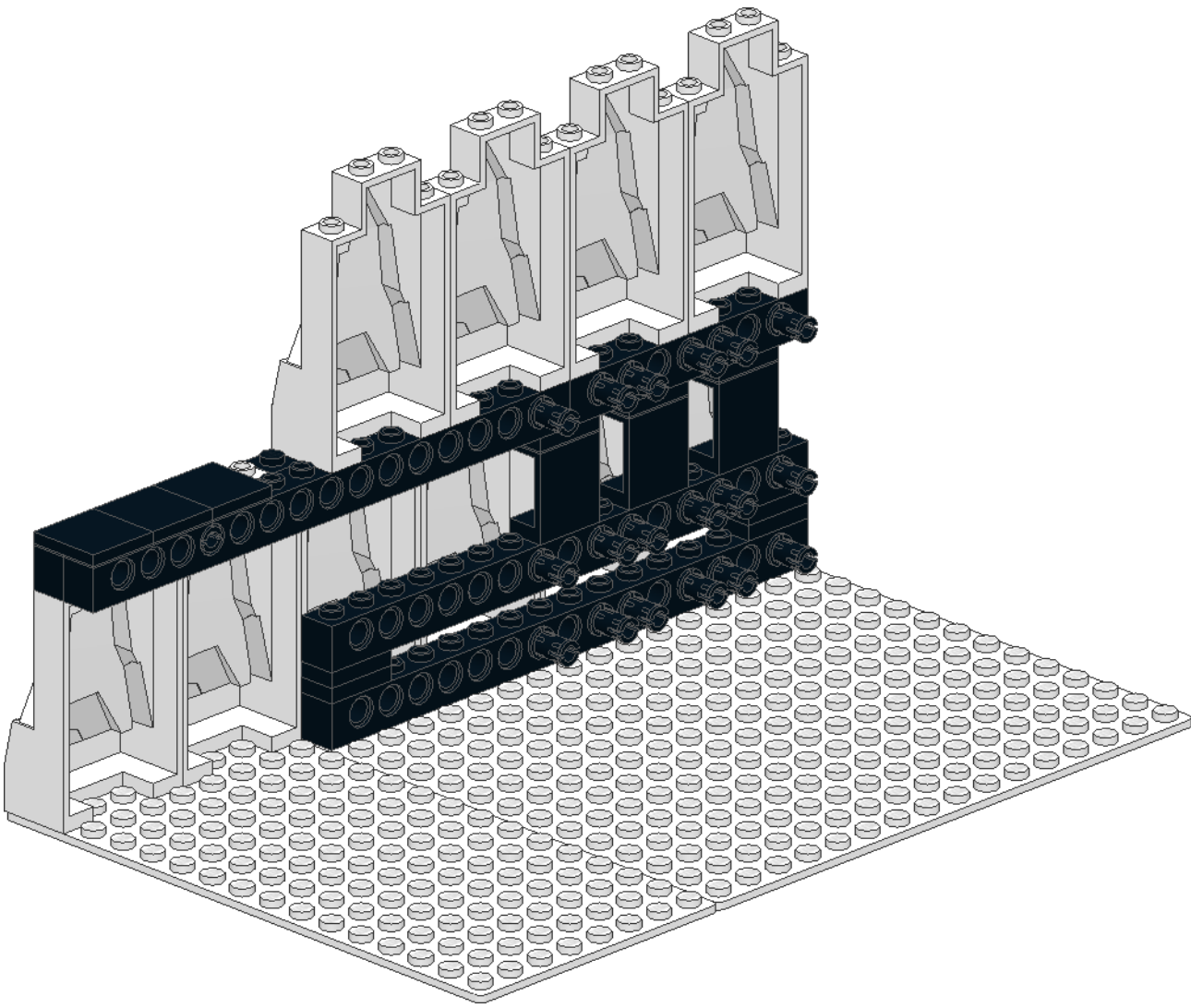


8

2x4x6

2x2

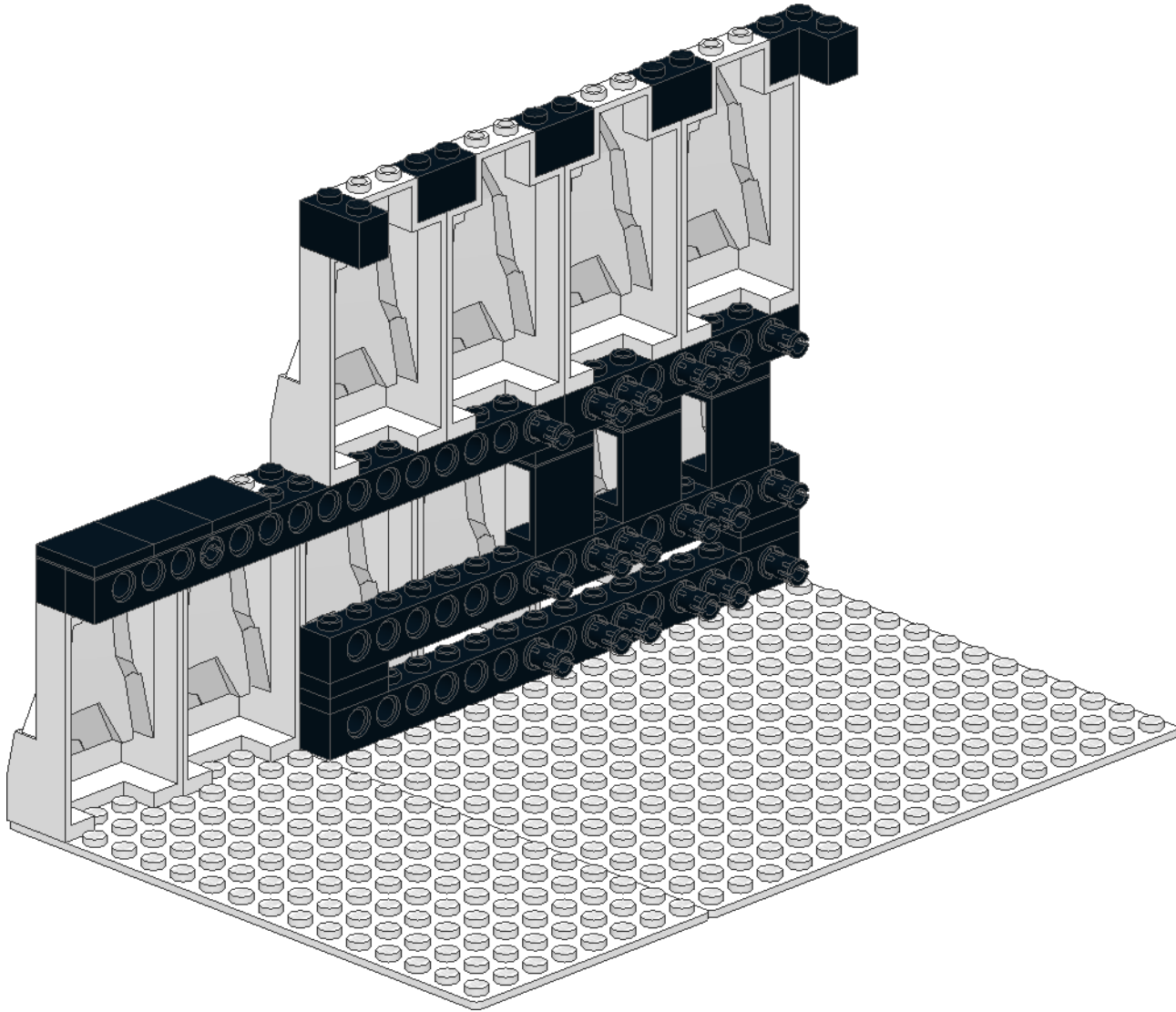
4x 3x



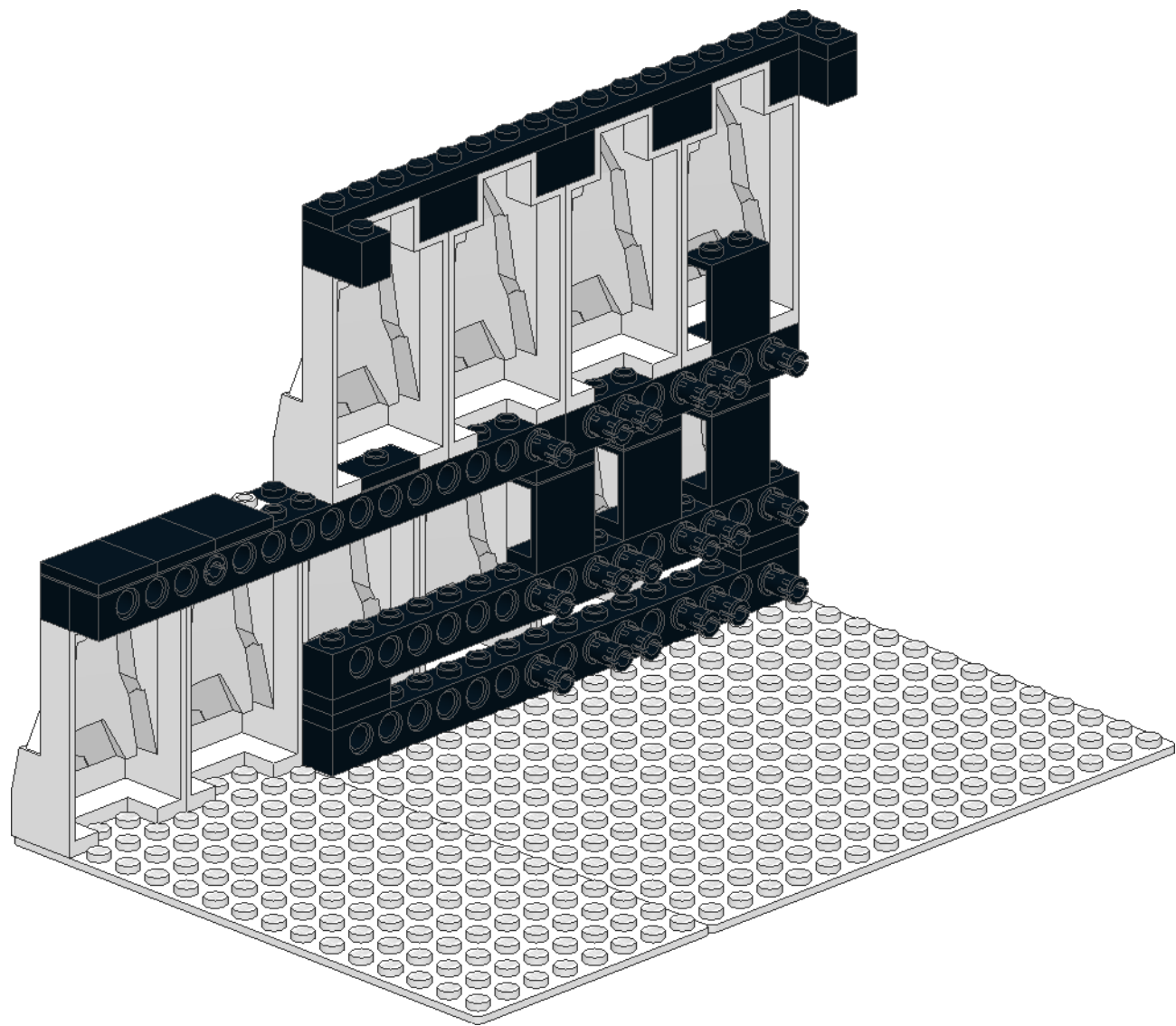
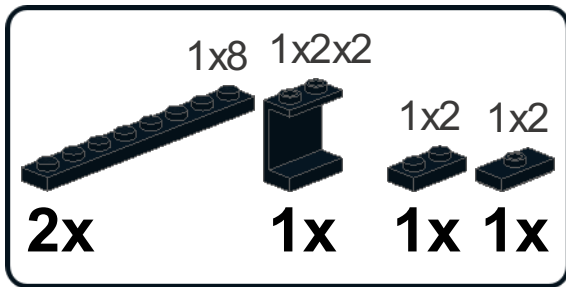
9

2x2 1x2

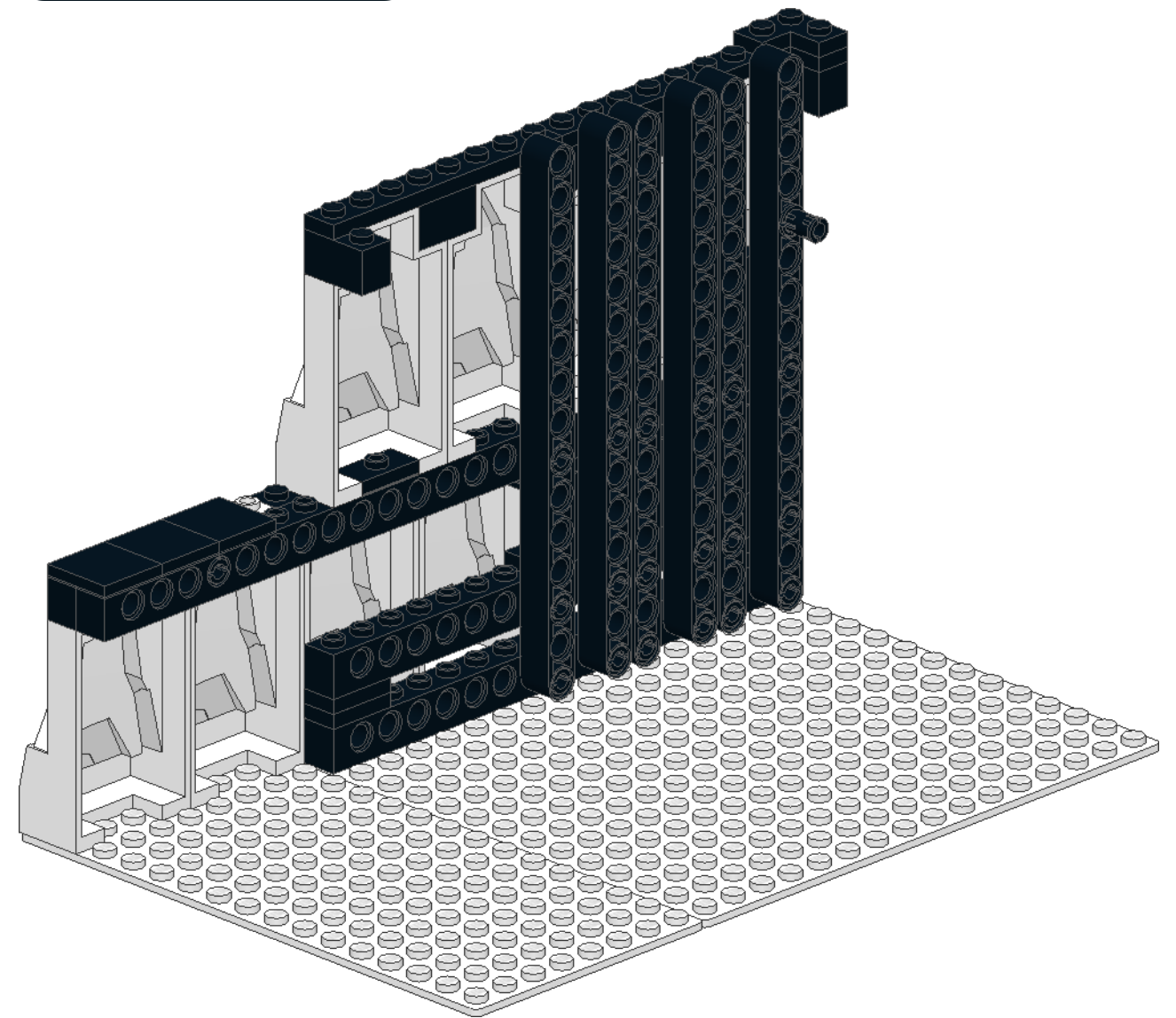
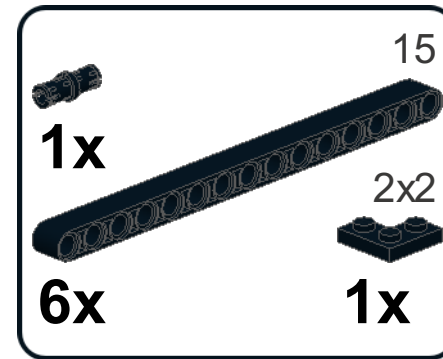
1x 4x



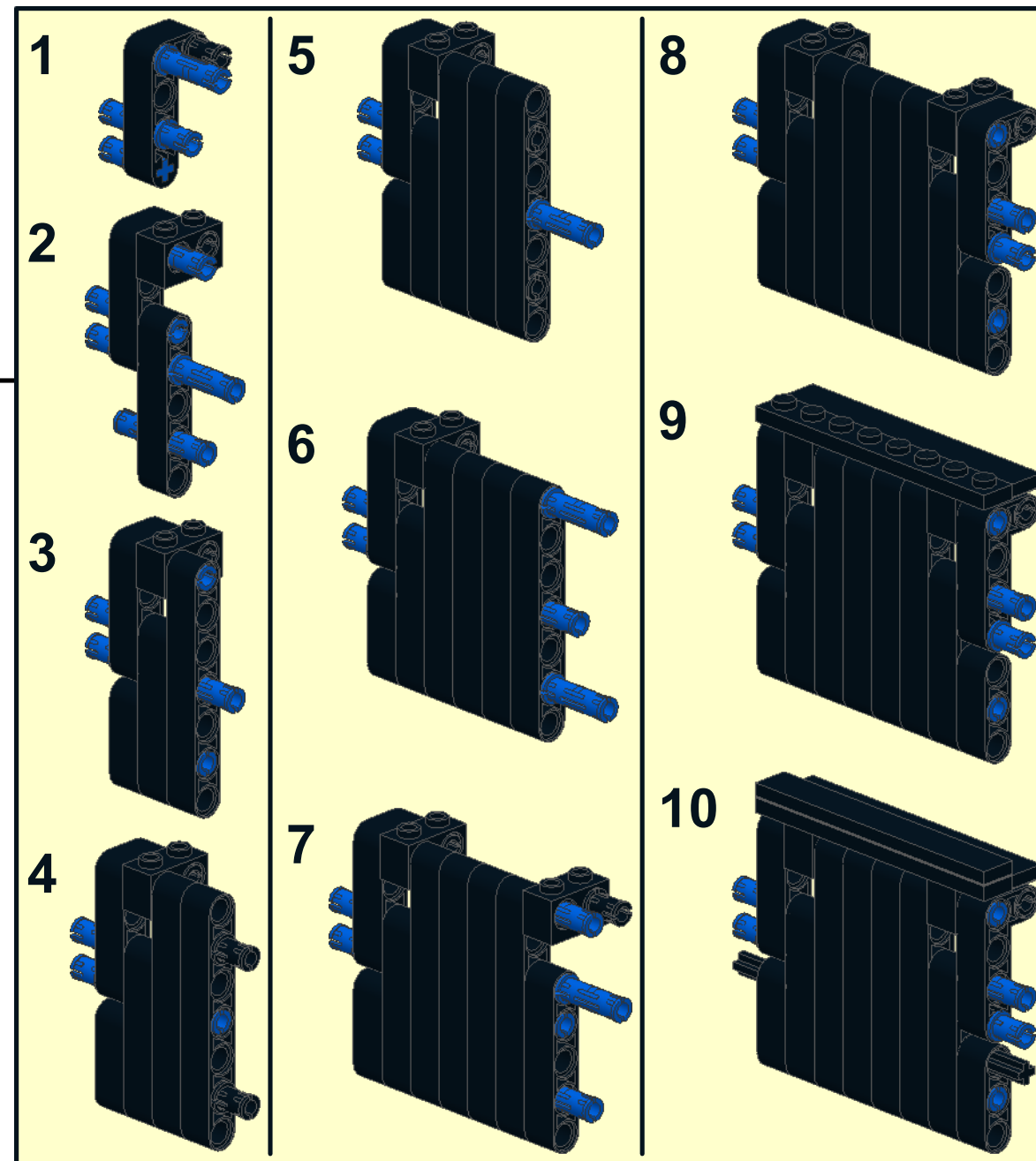
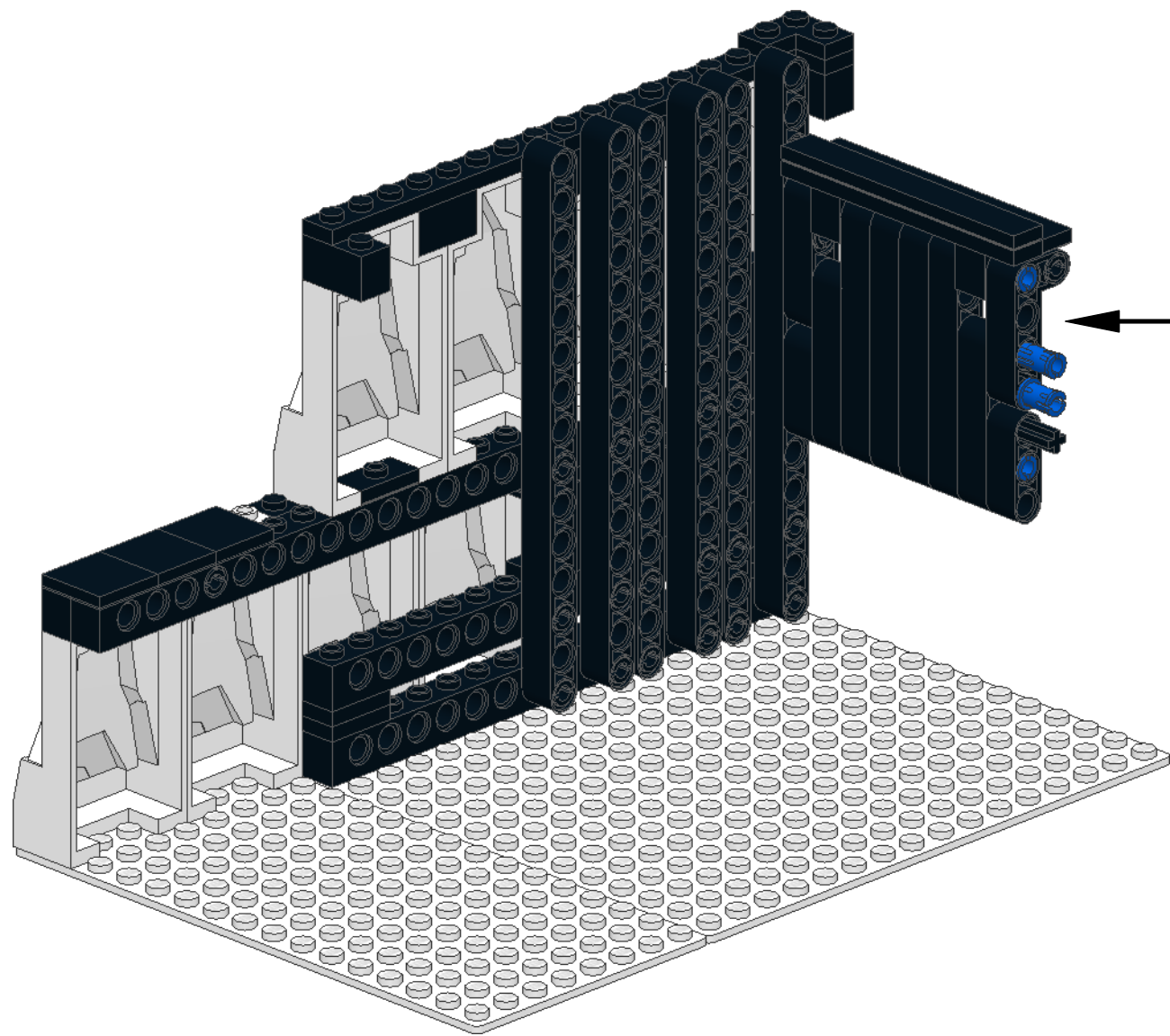
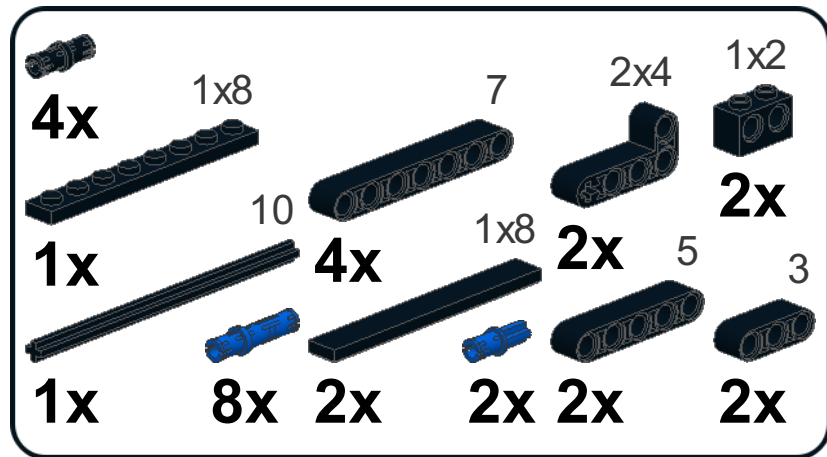
10



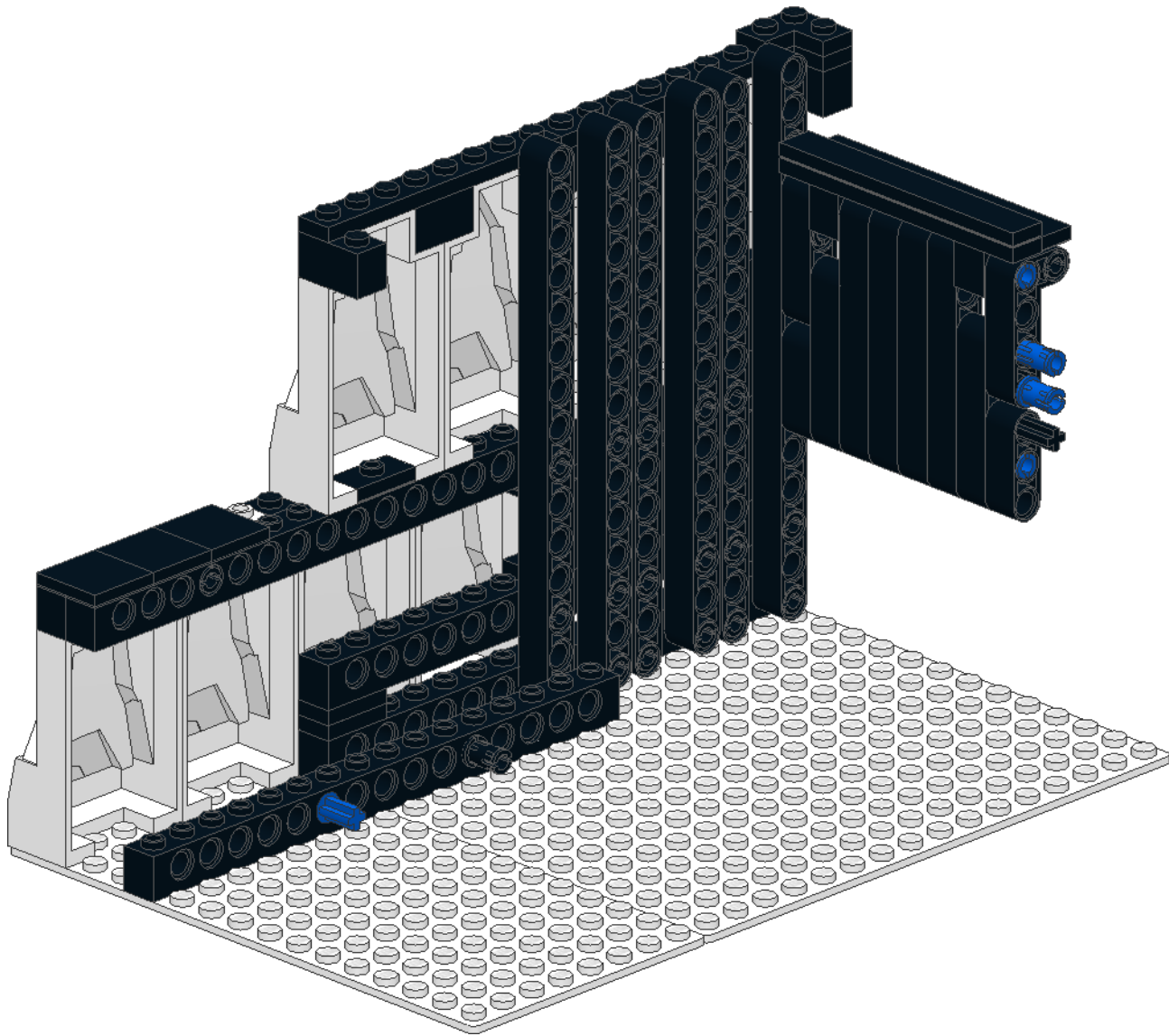
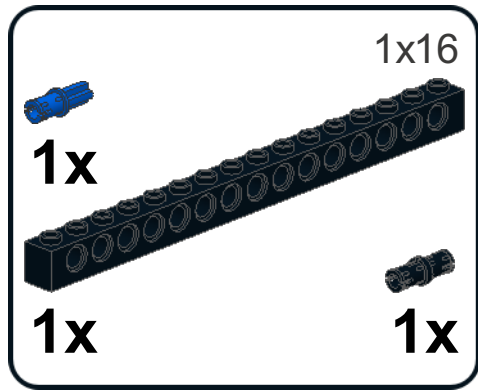
11



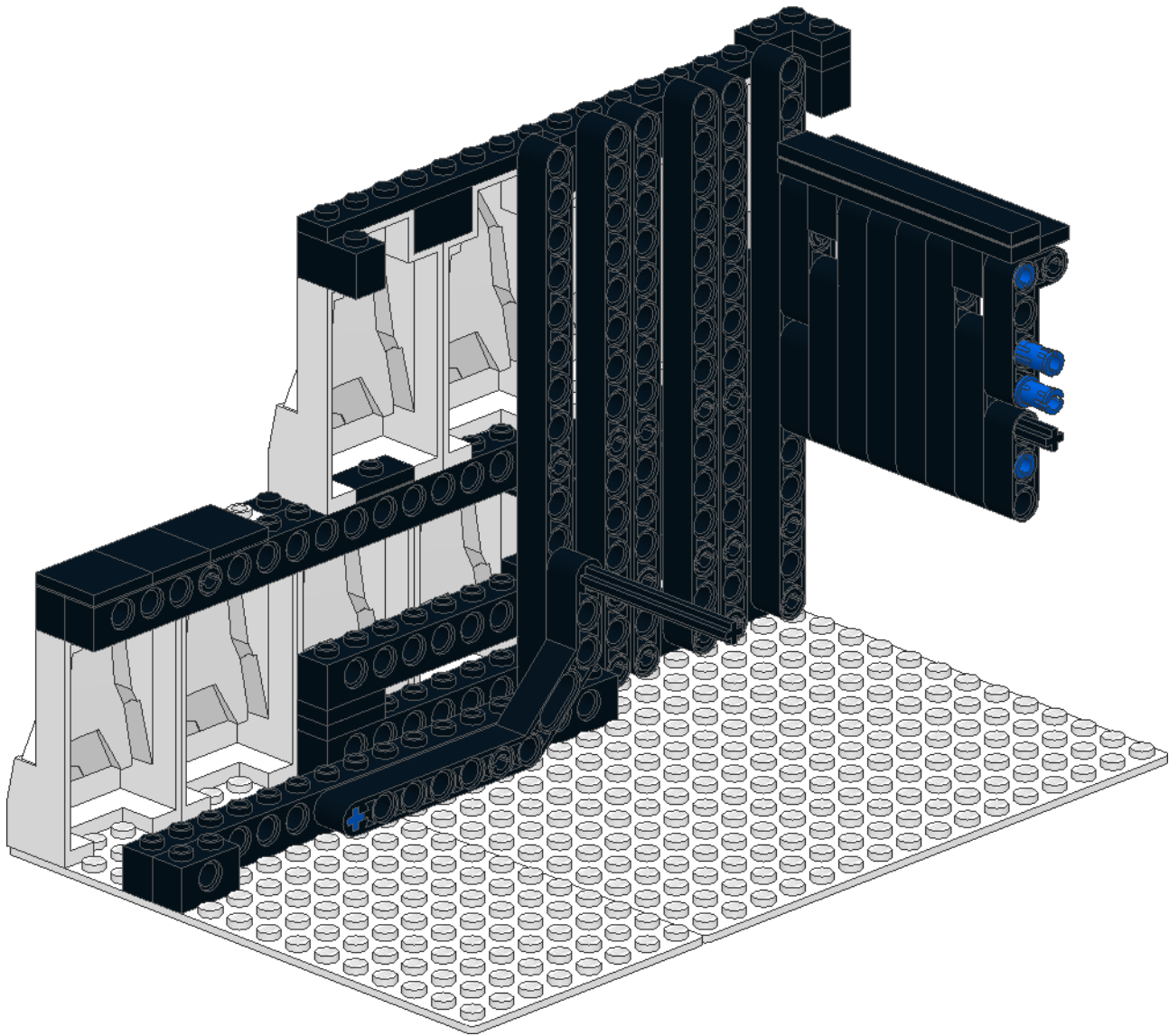
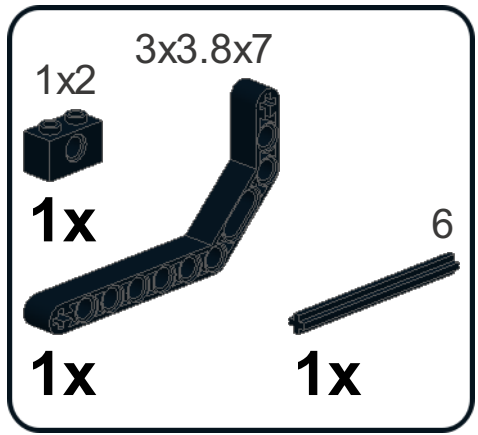
12

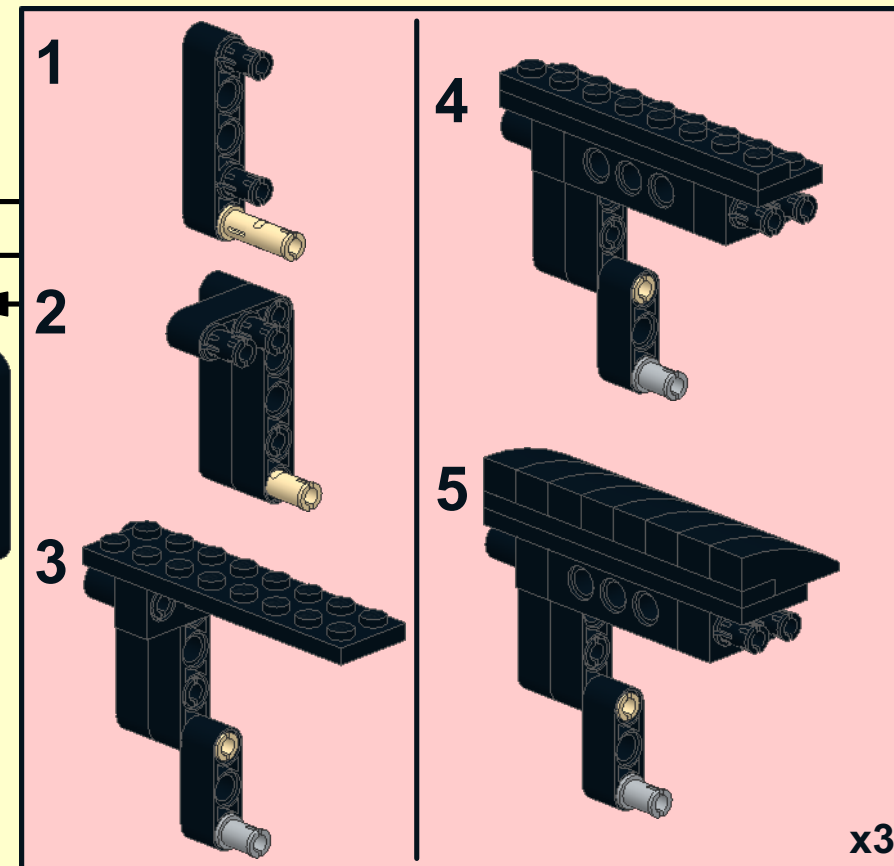
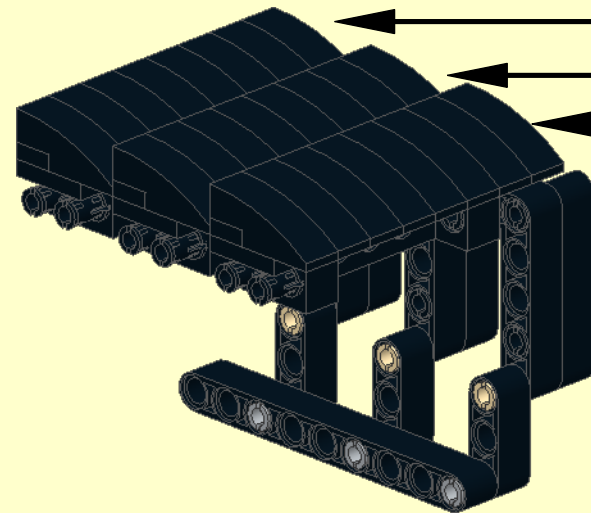
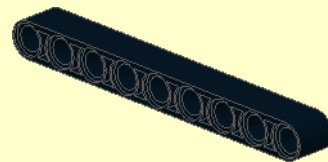
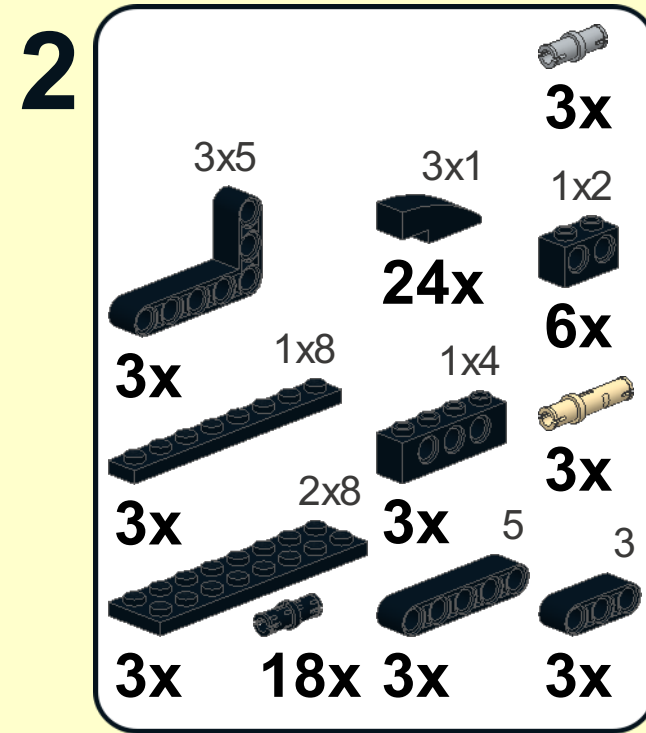
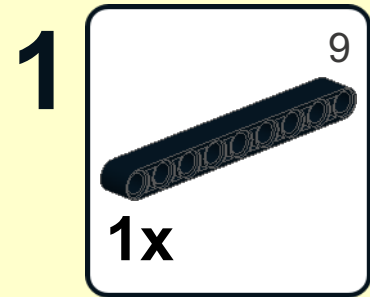


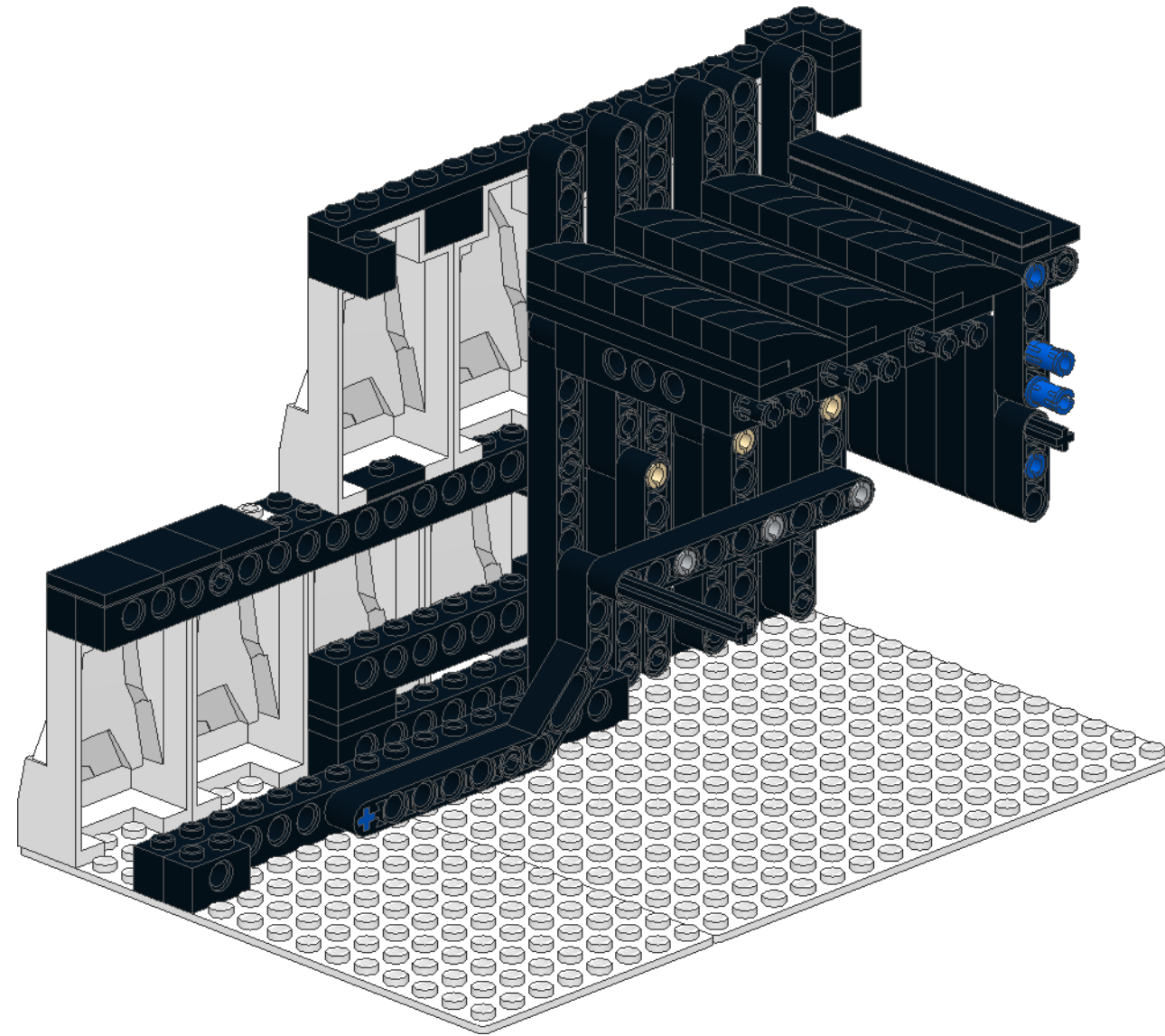
13



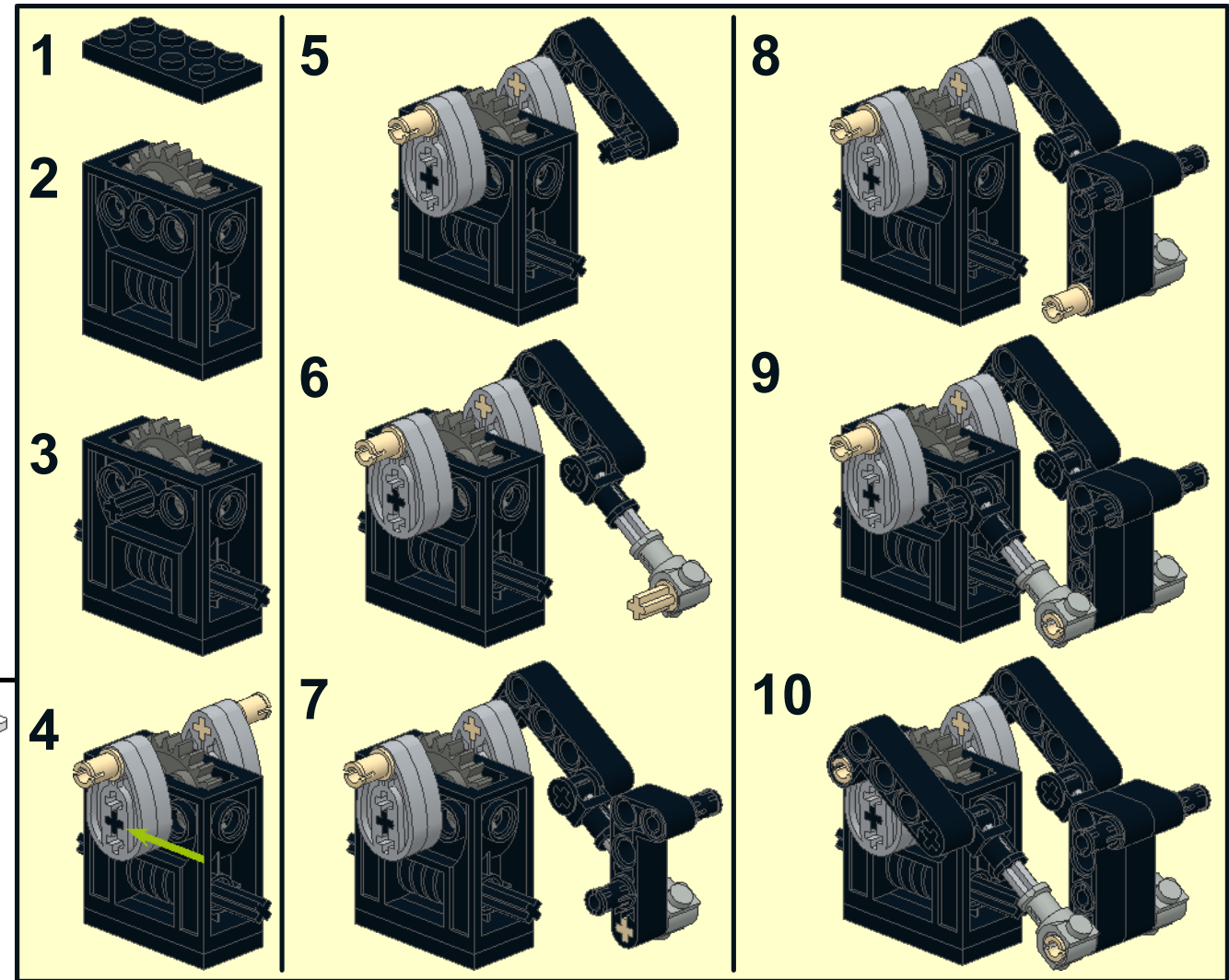
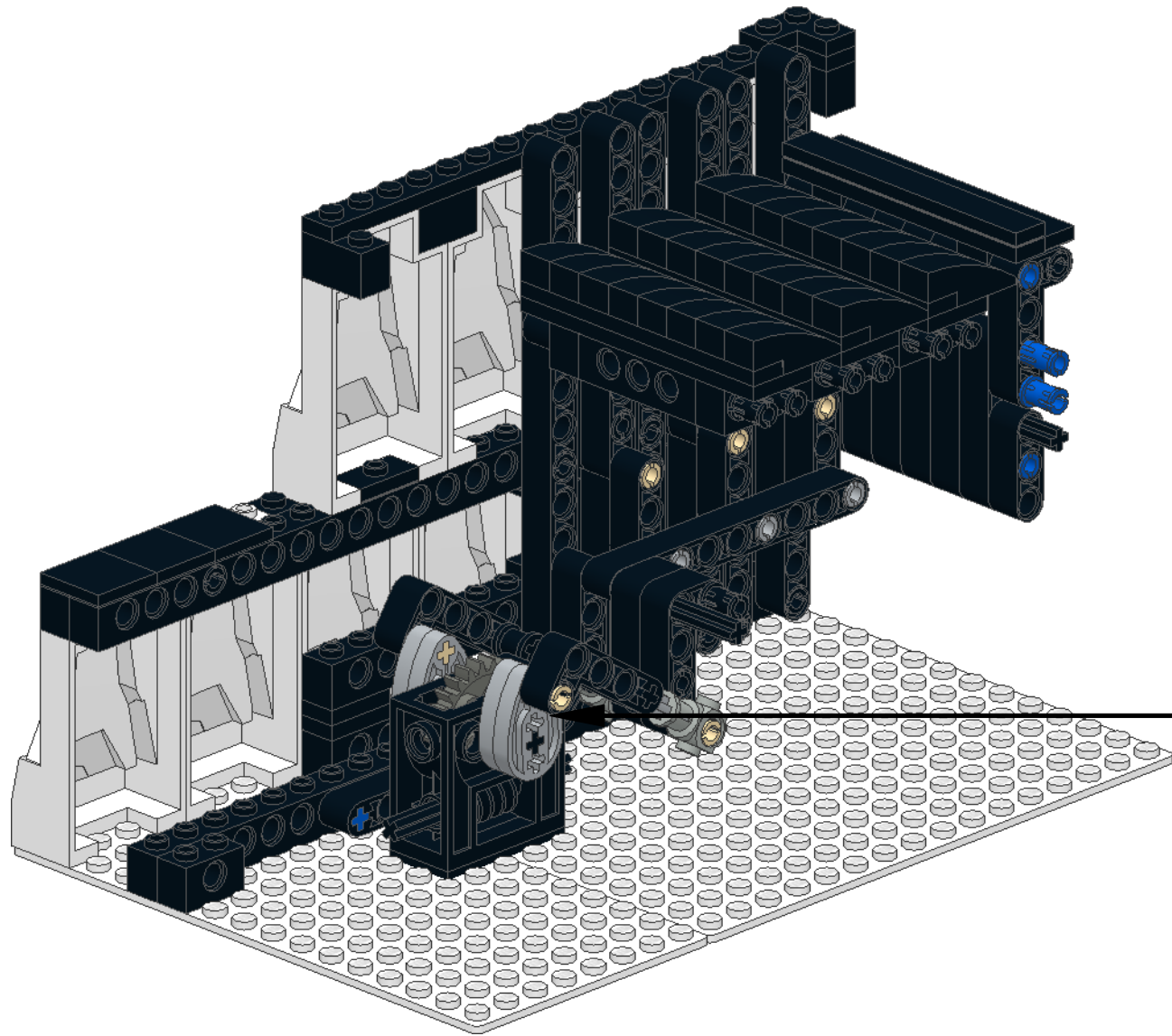
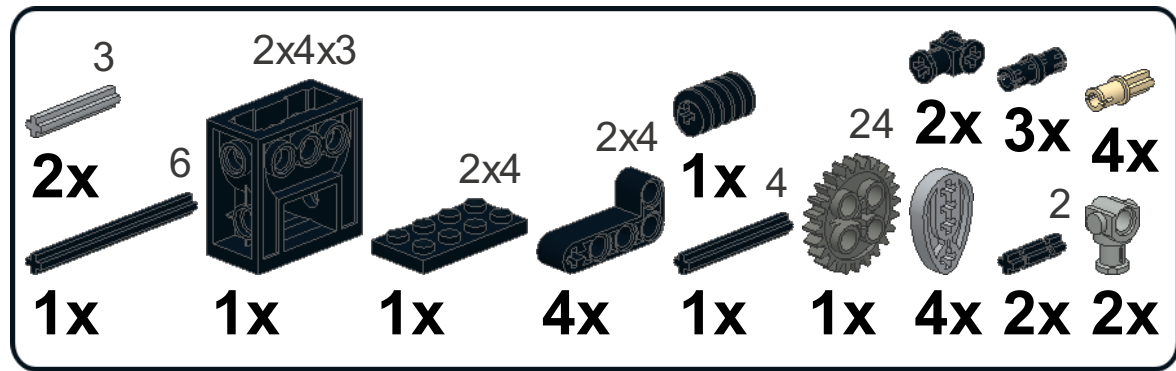
14



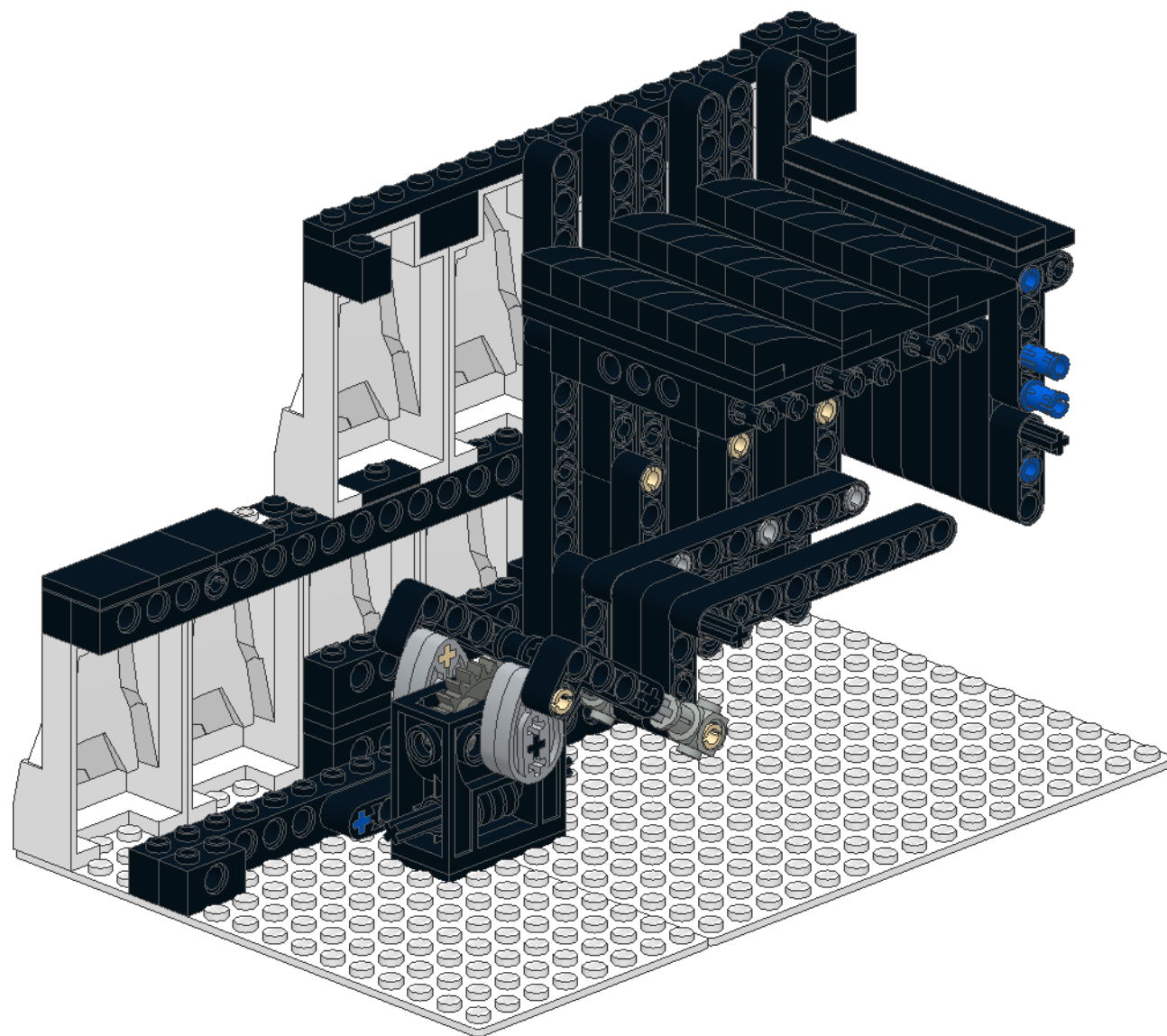
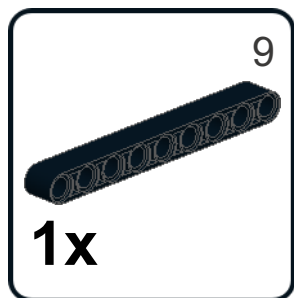




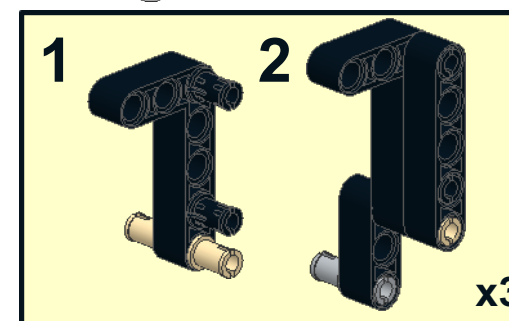
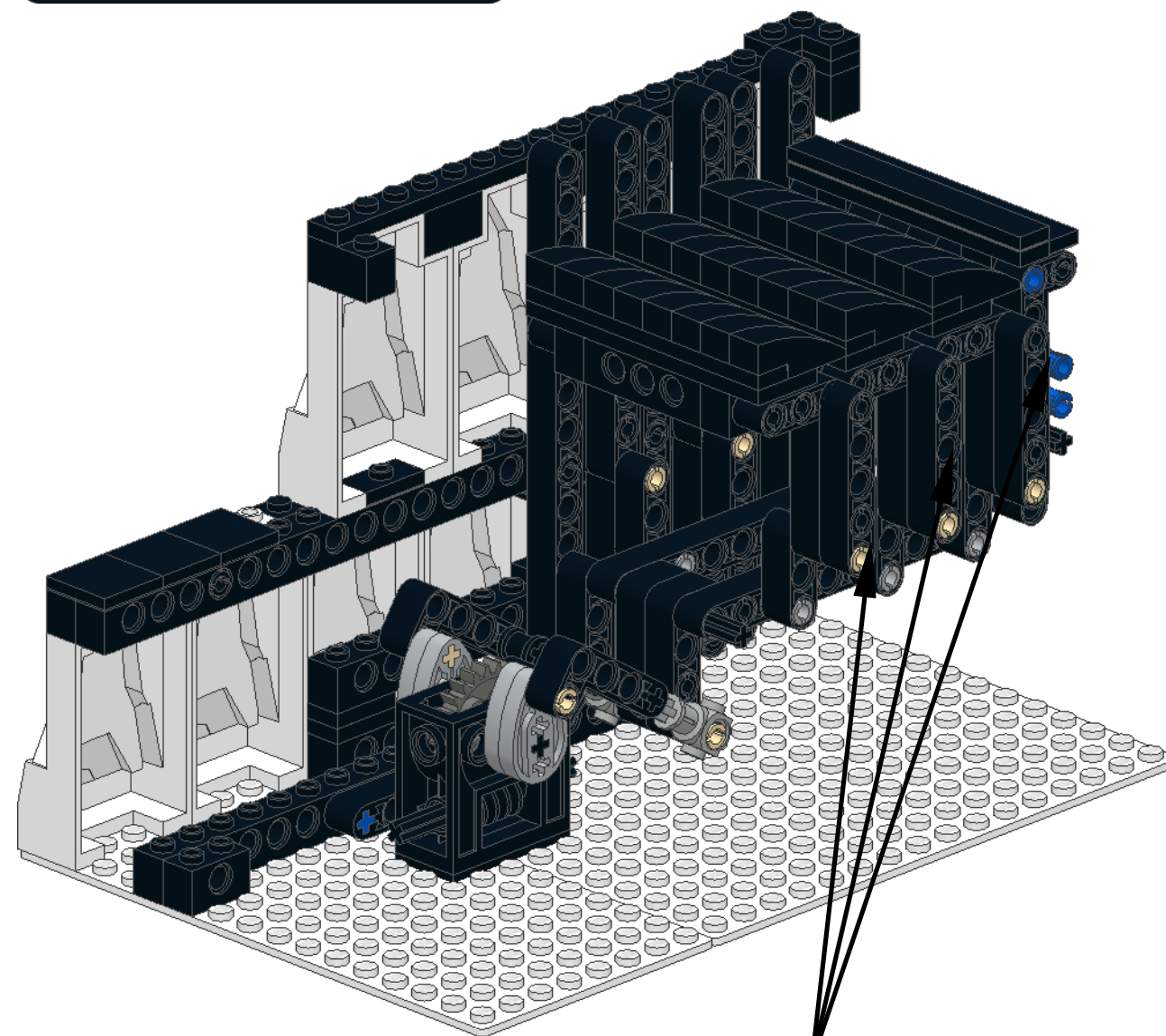
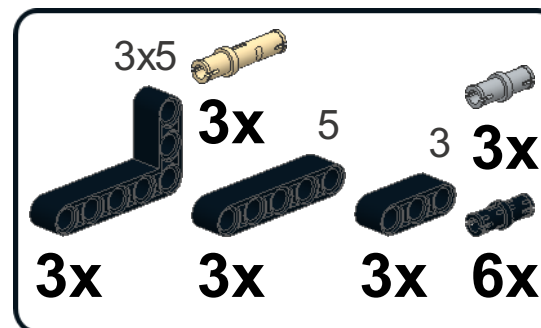
16



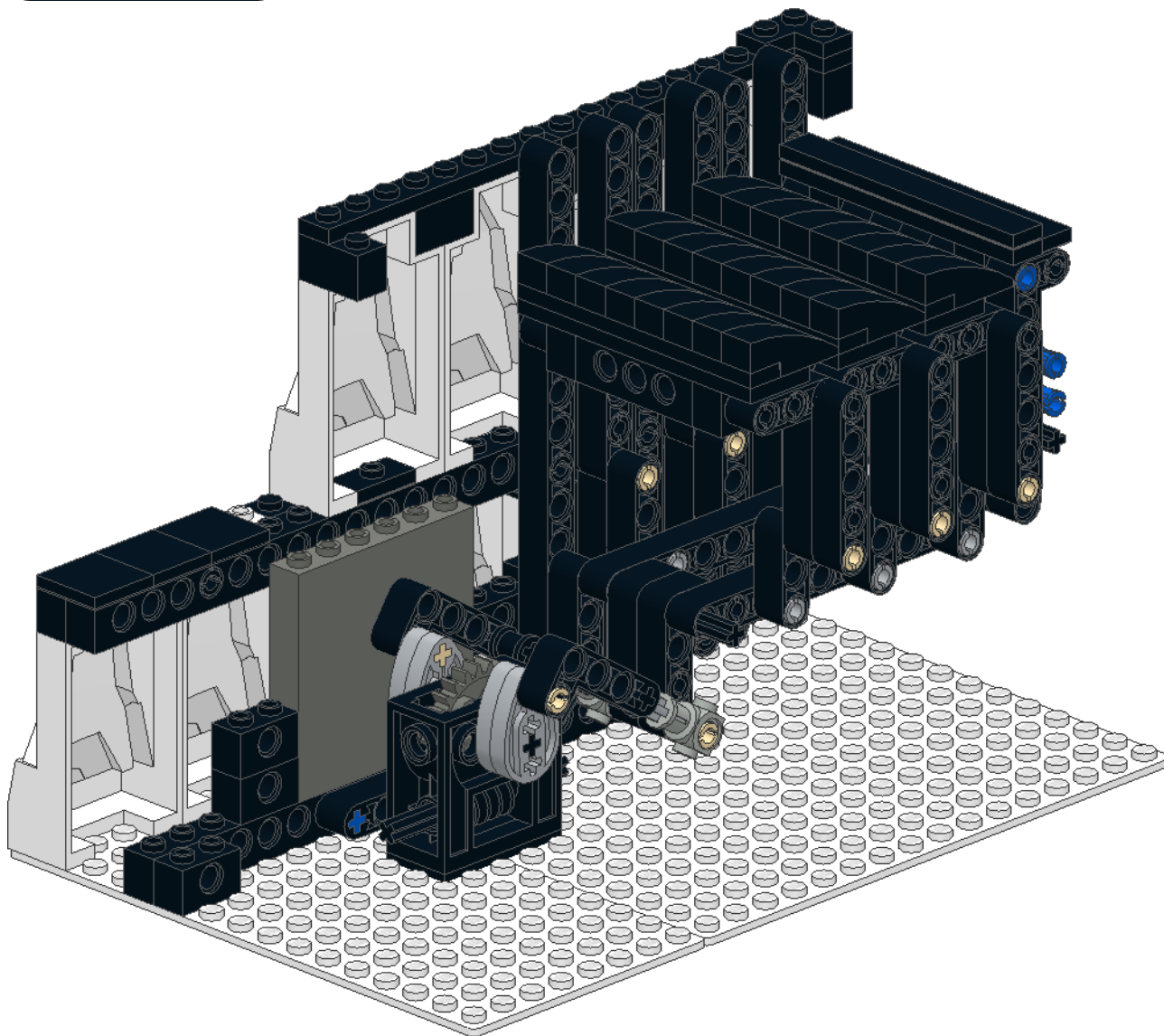
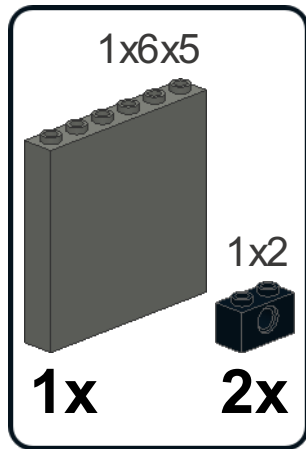
17



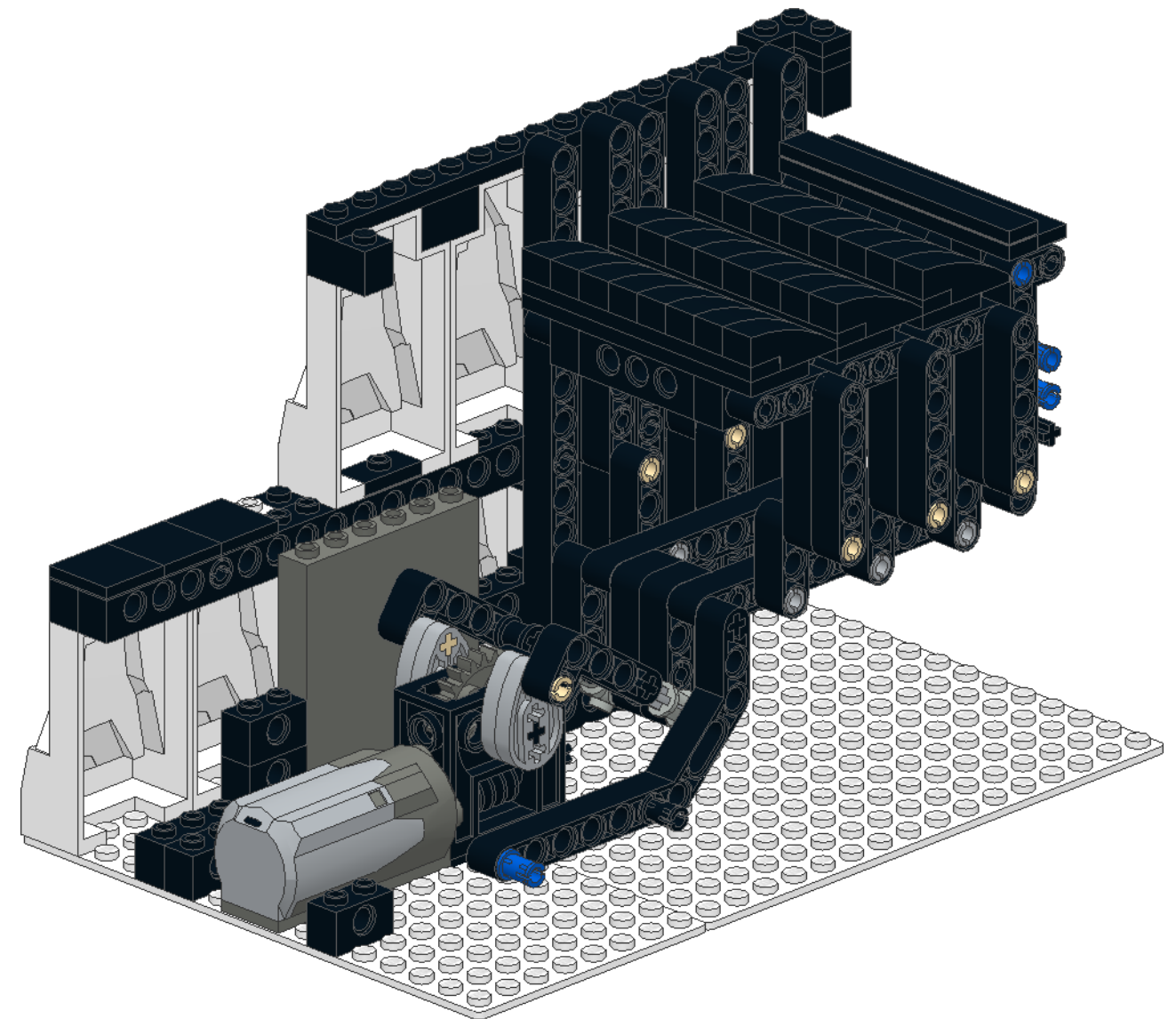
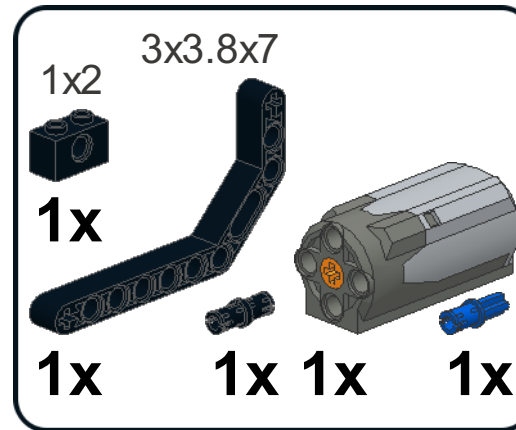
18



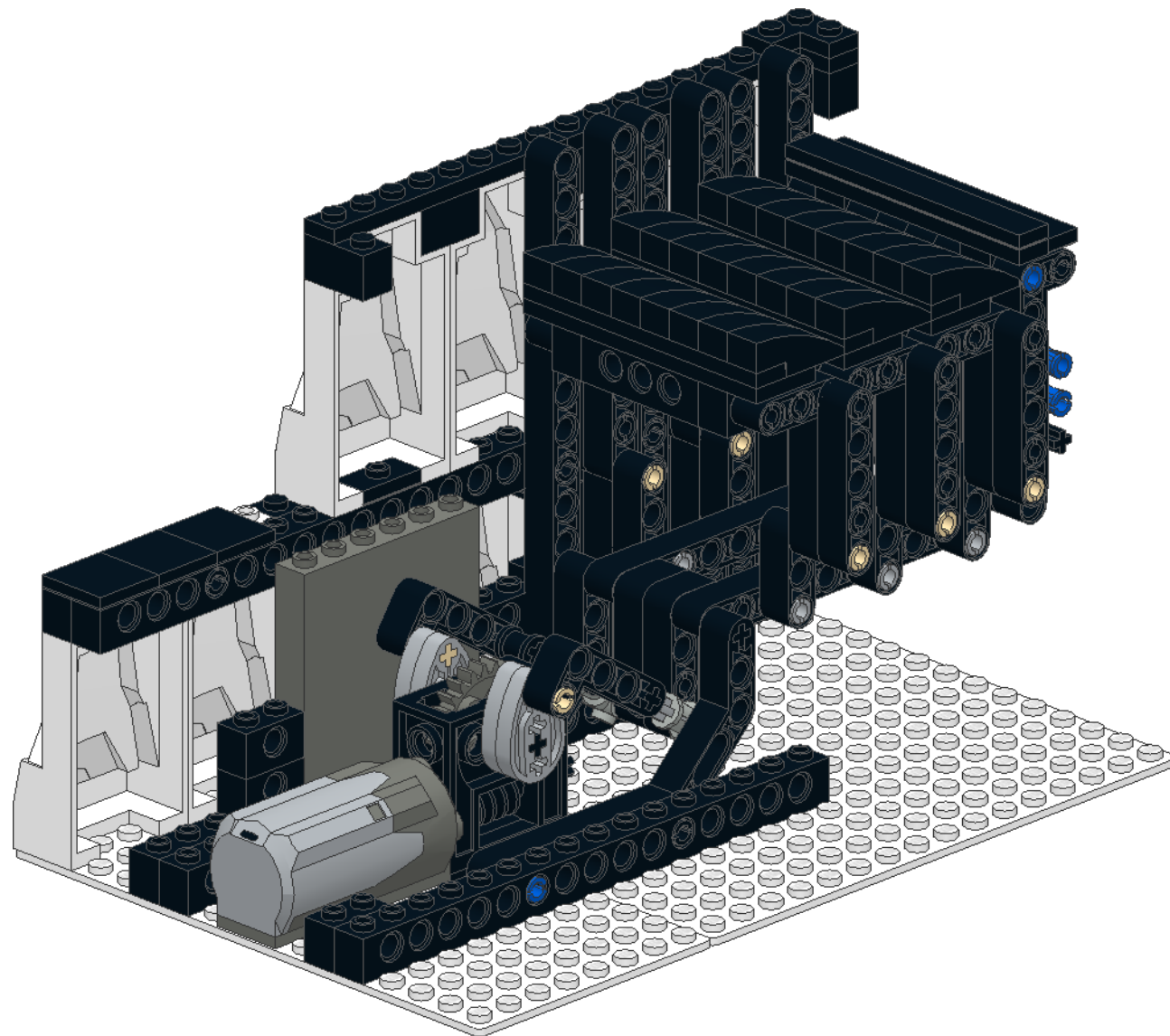
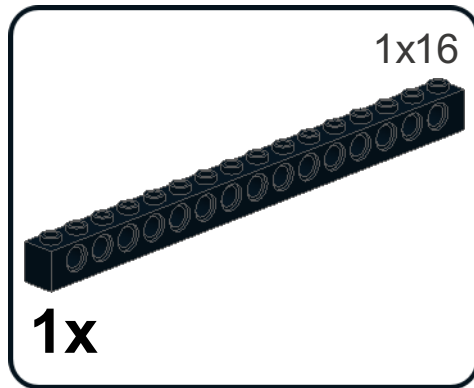
19



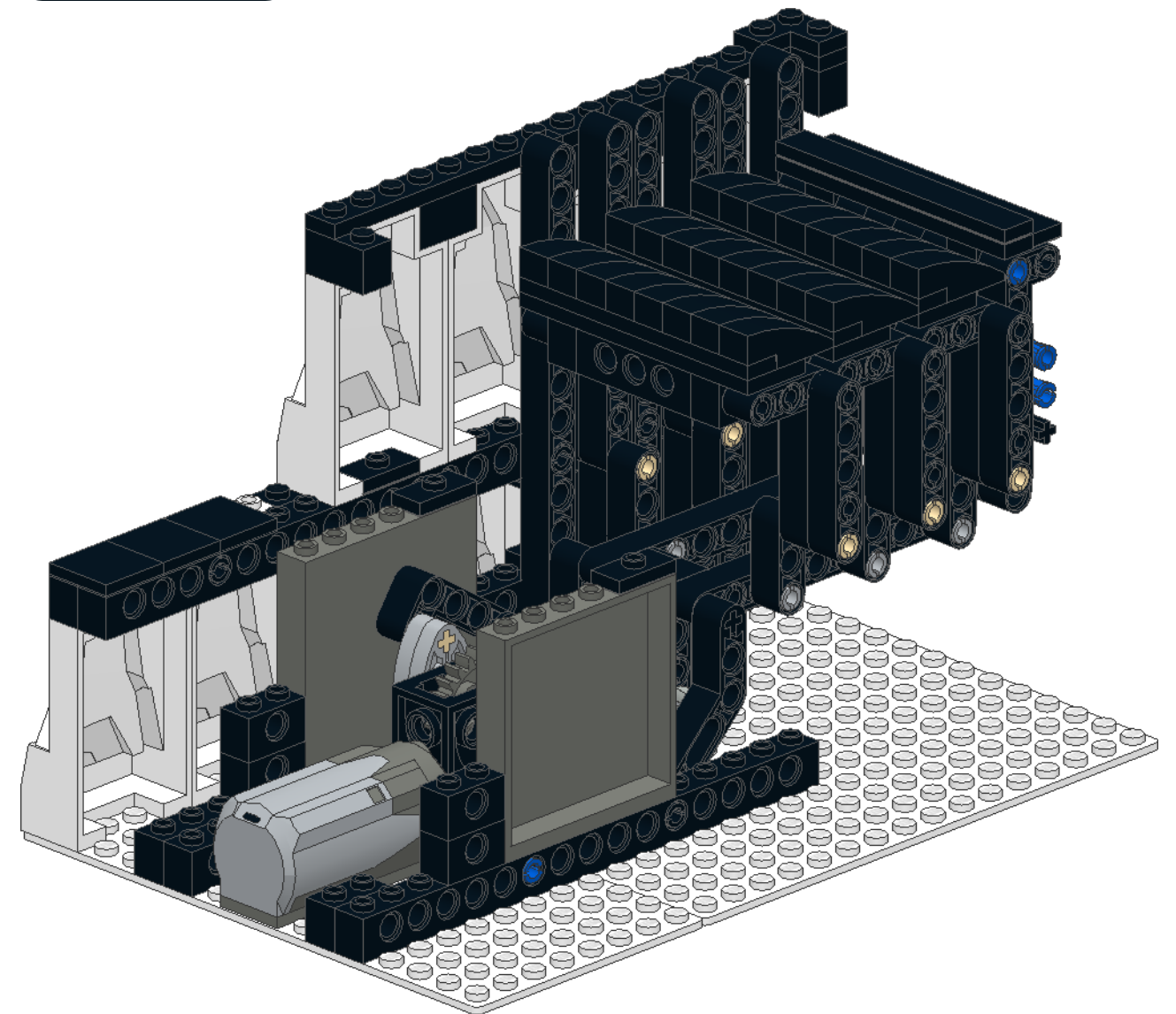
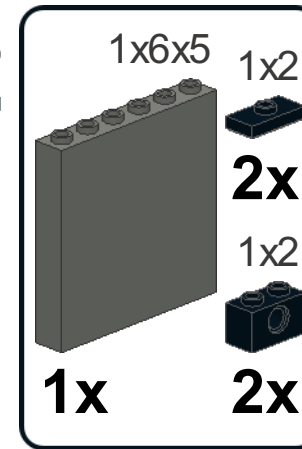
20



21

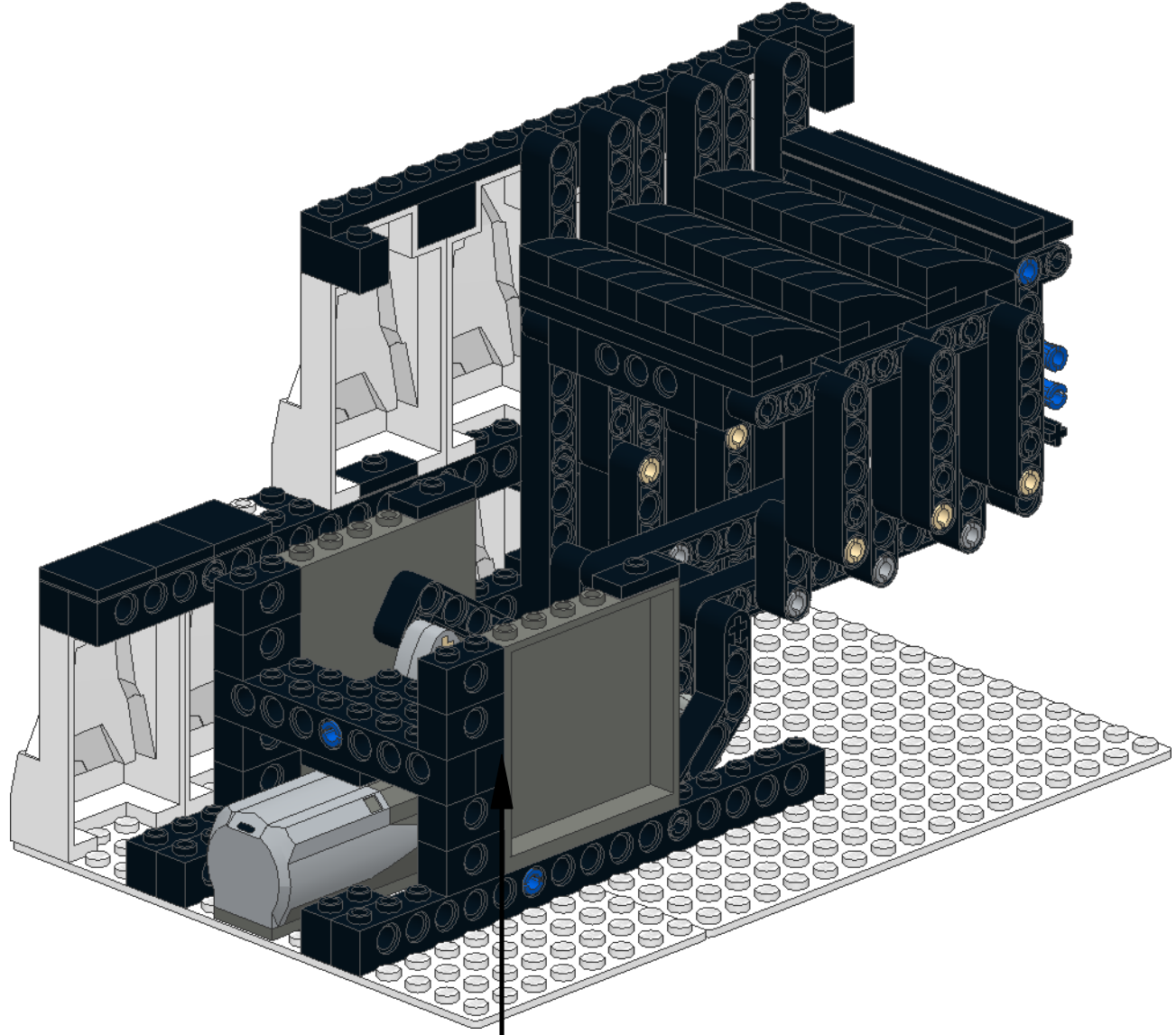


22



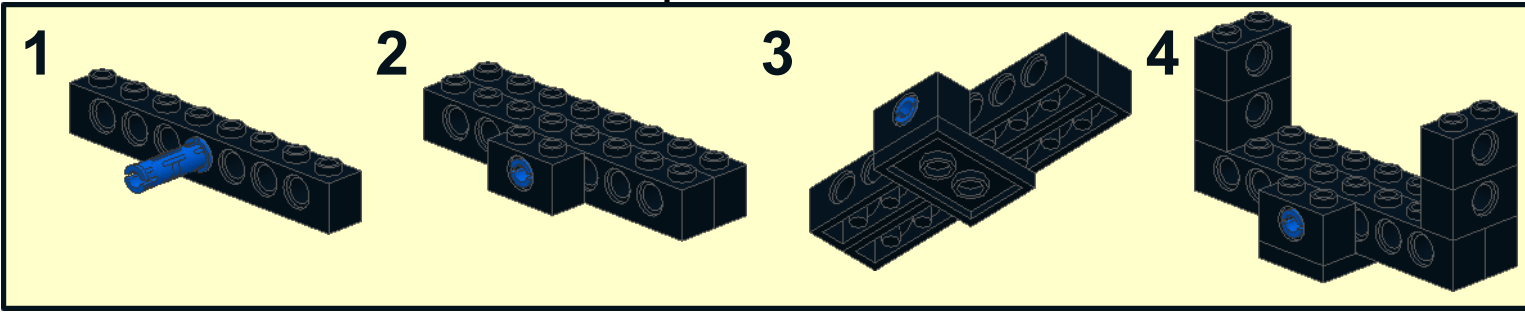
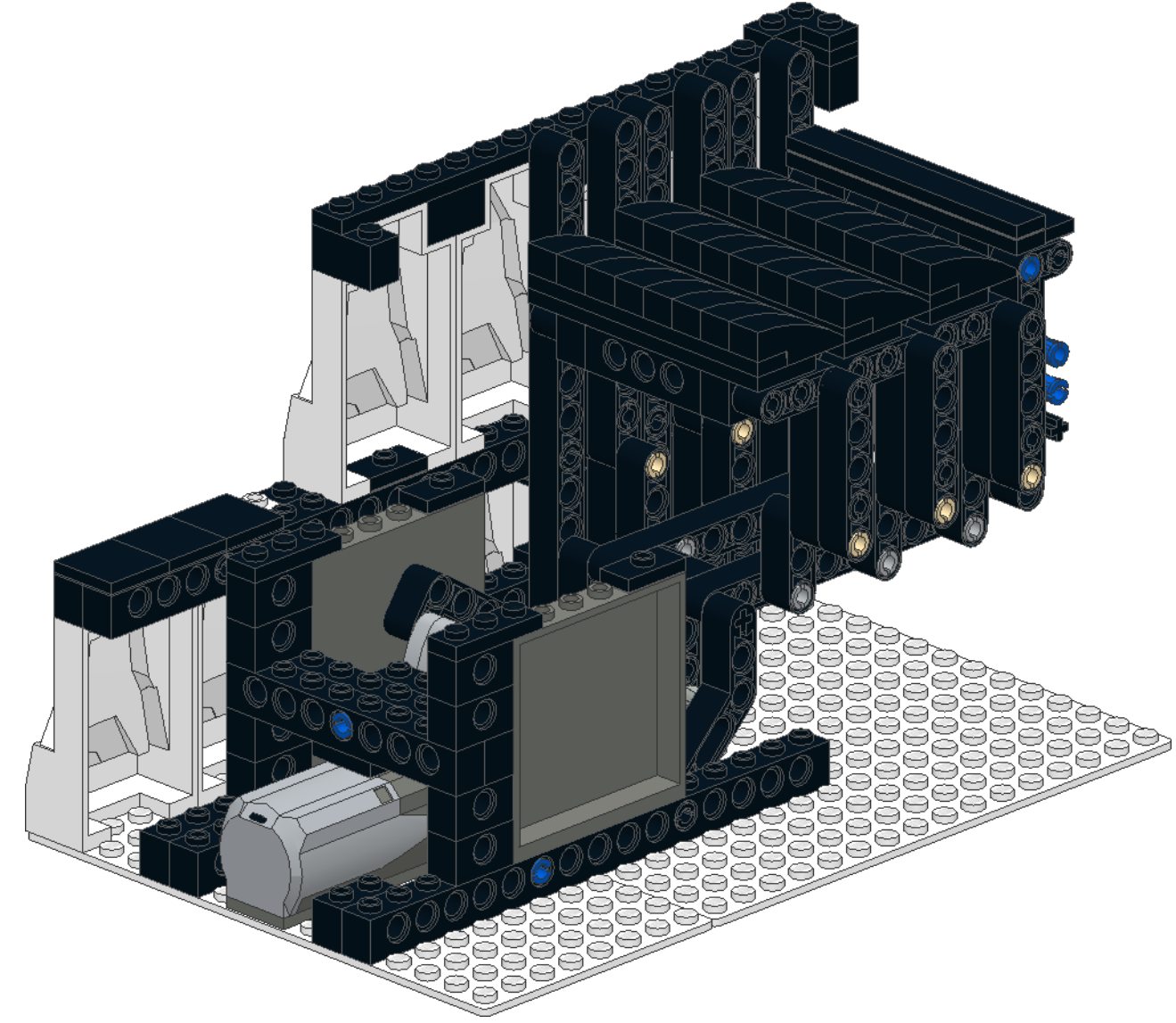
23

1x8
2x3 1x2
2x 1x 1x 5x



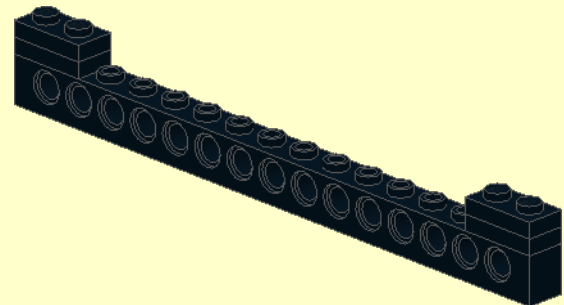
24

1x3
2x



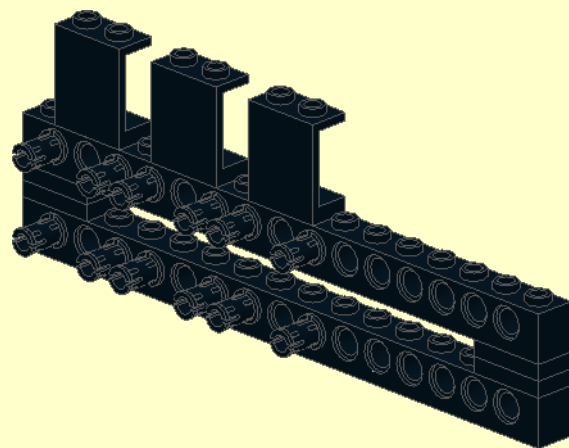
1

1x16
1x2
1x
4x



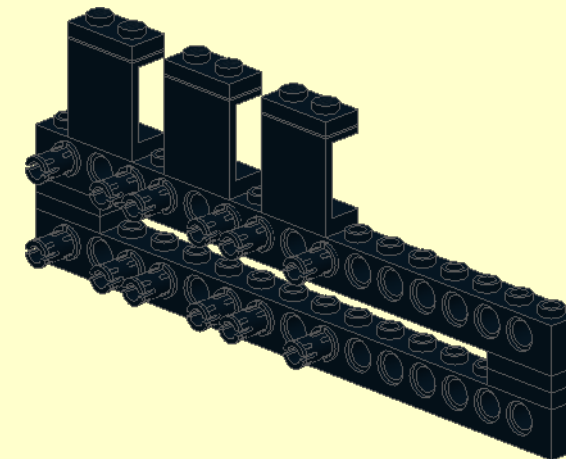
2

1x2x2
1x16
3x
1x
12x



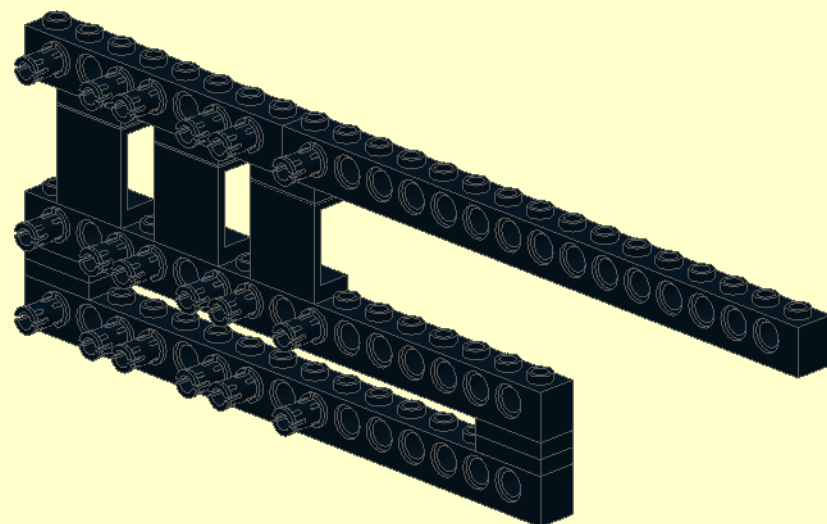
3

1x2
3x



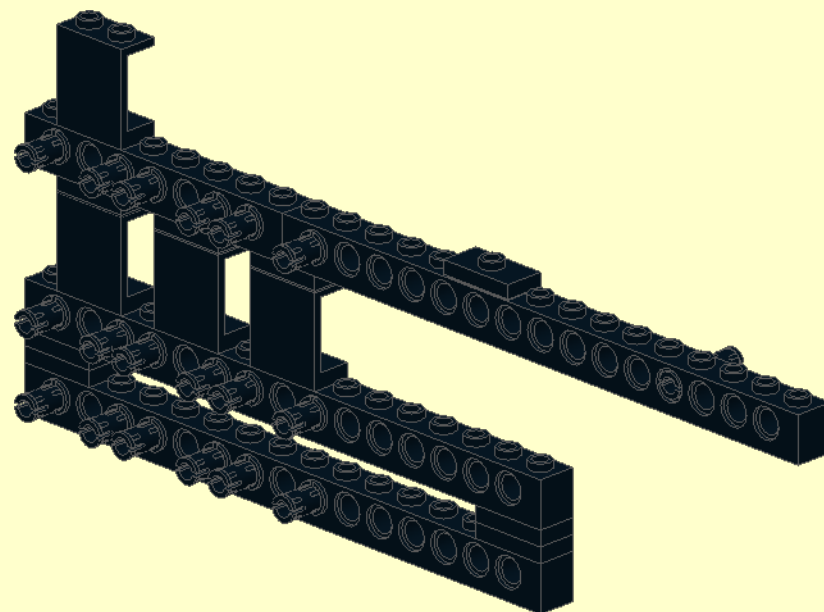
4

1x16
1x8
1x
6x 1x



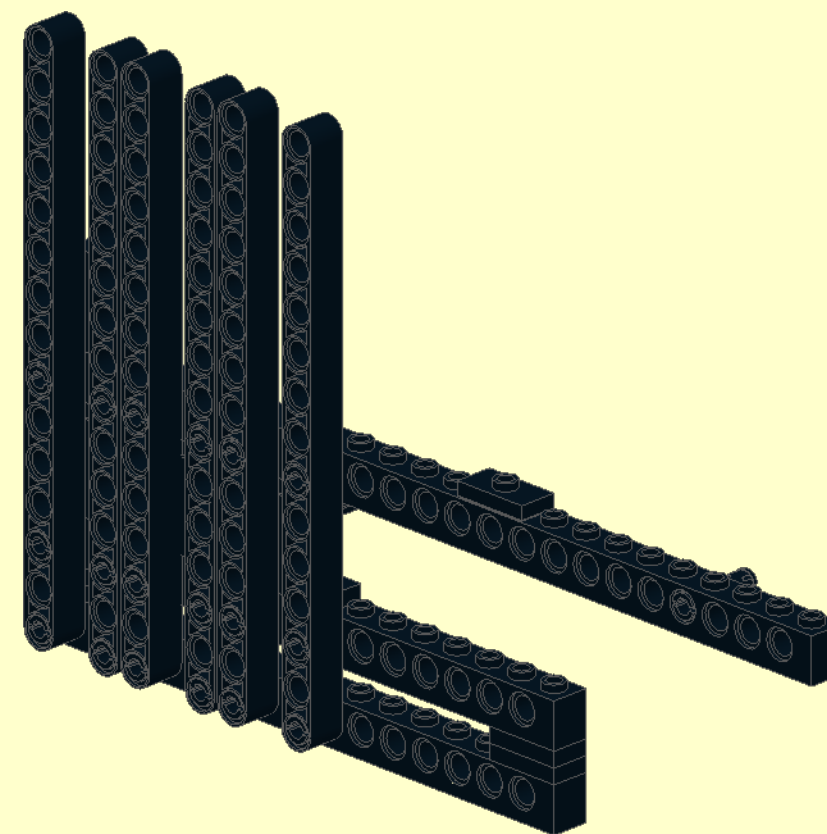
5

1x2x2
1x2
1x
1x 1x

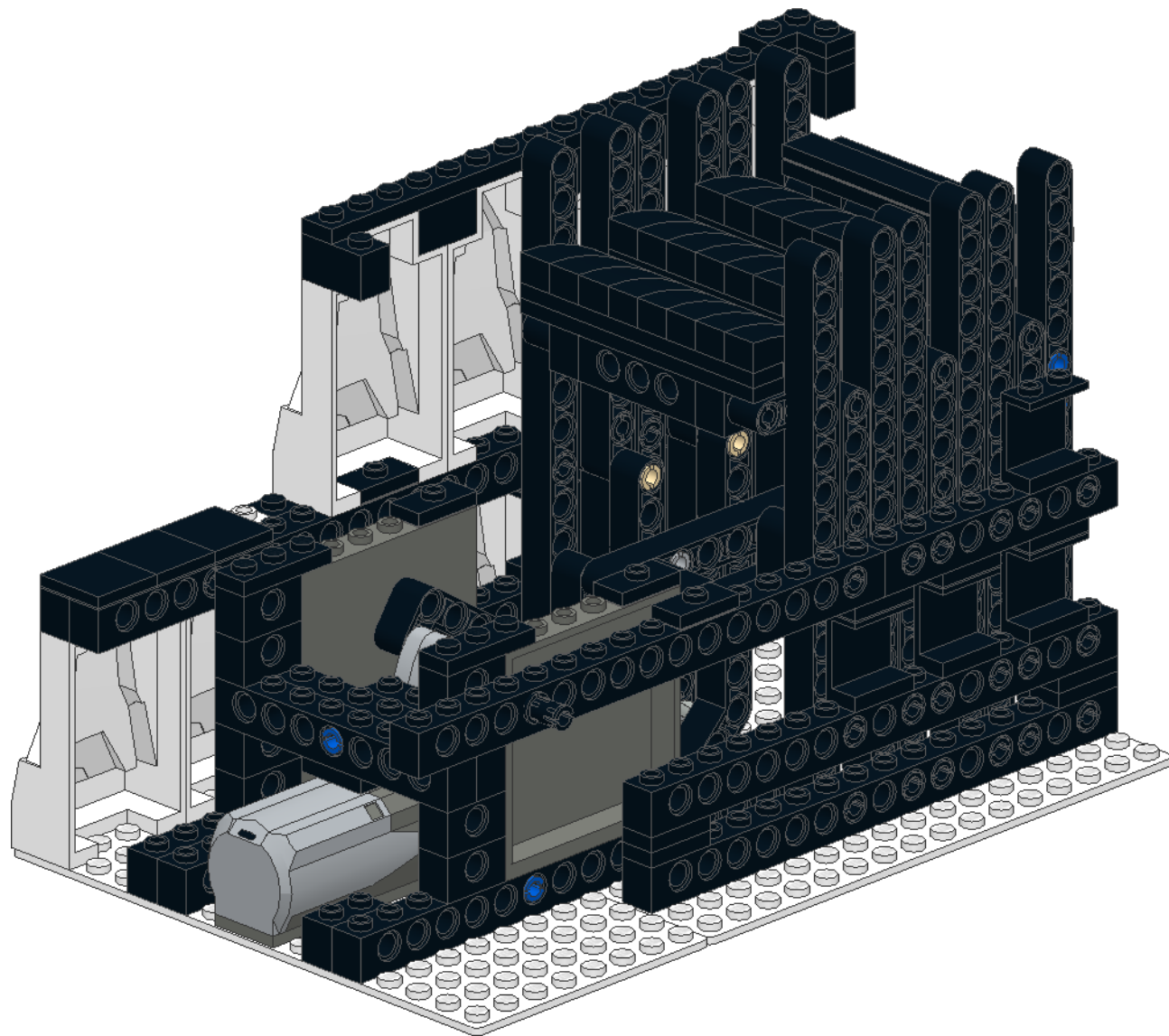


6

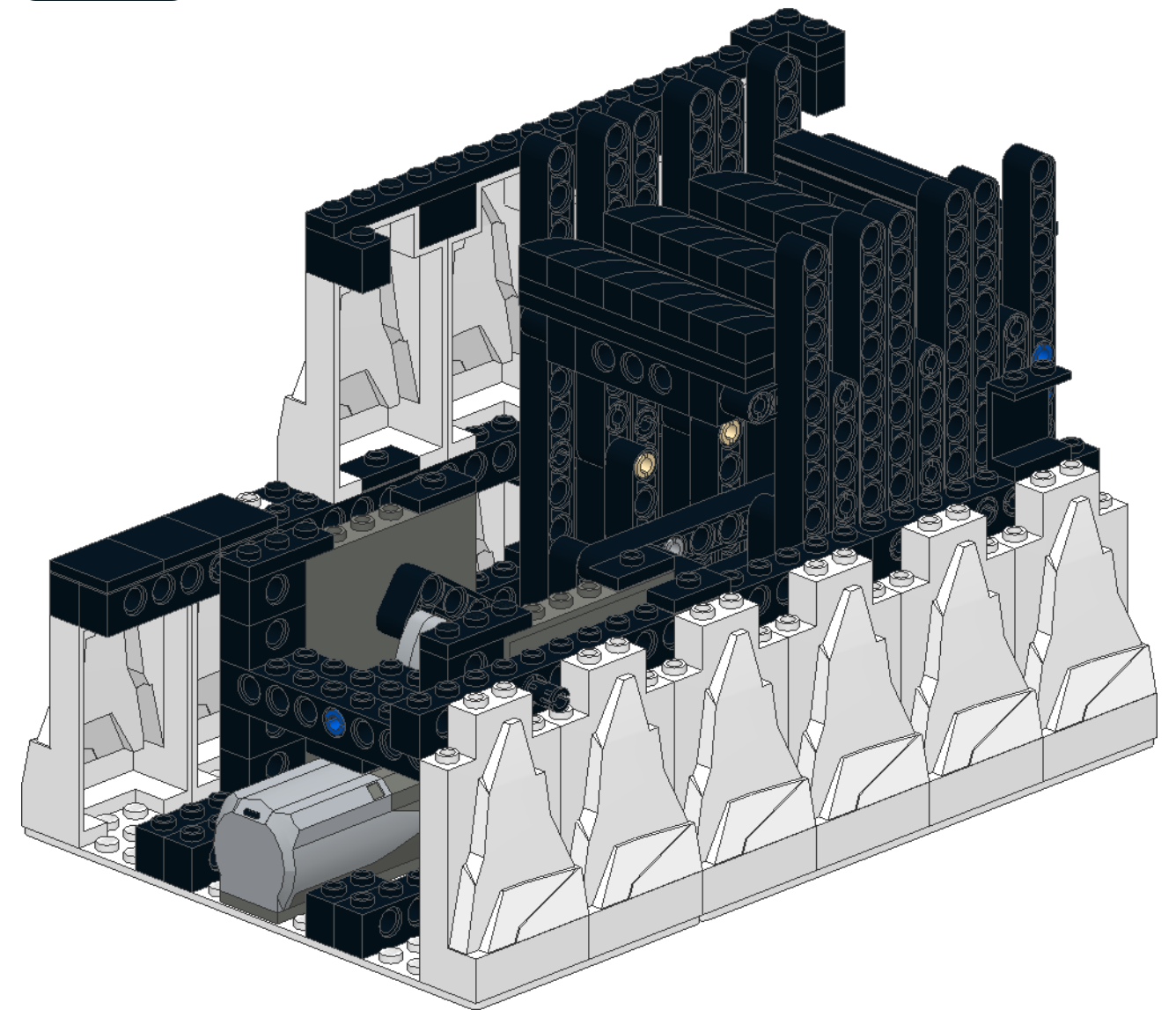
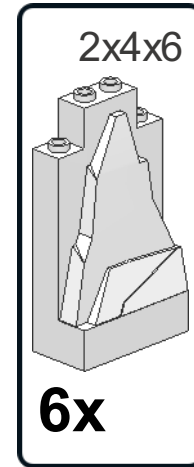
15
6x



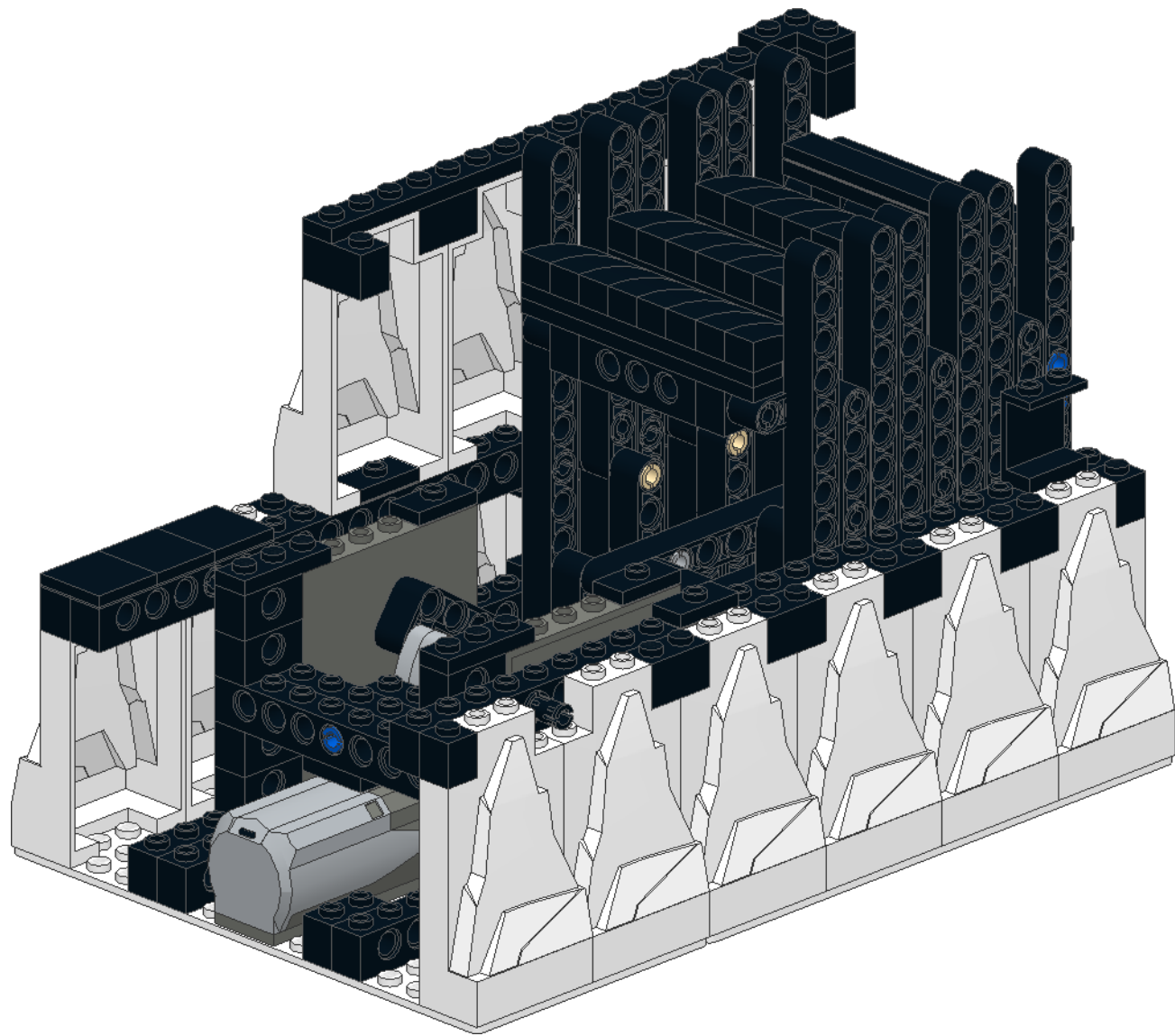
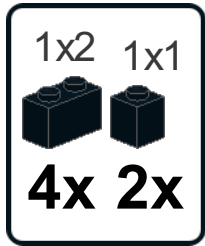
25



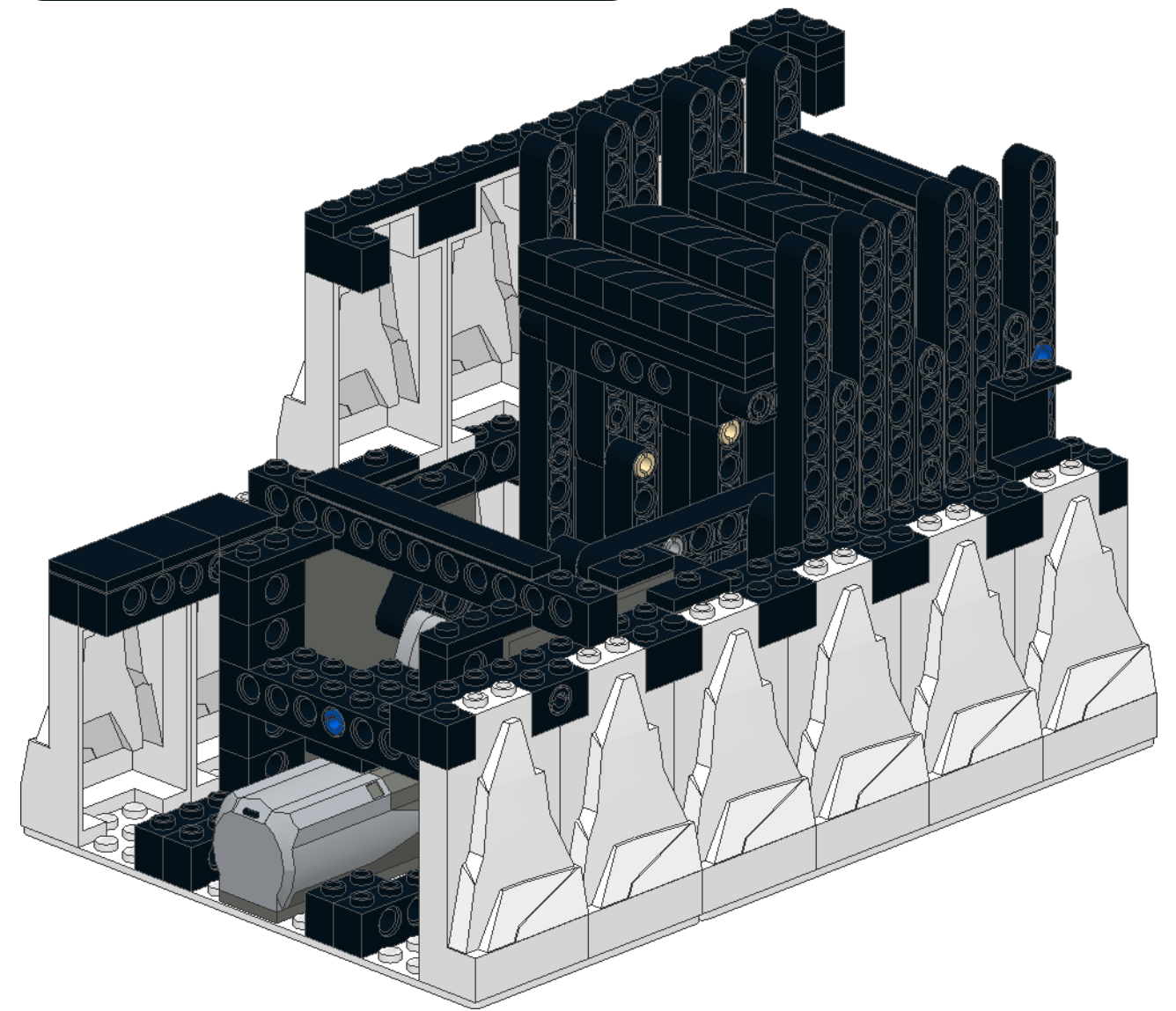
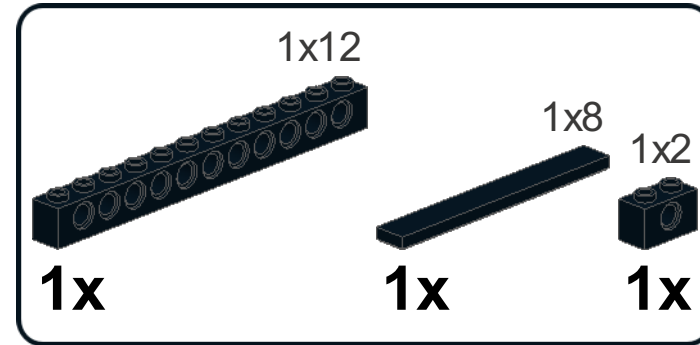
26



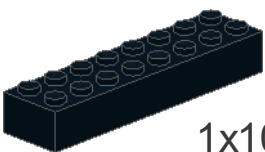
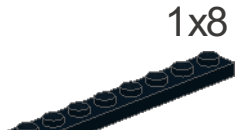


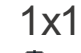
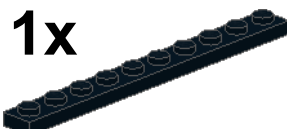




27

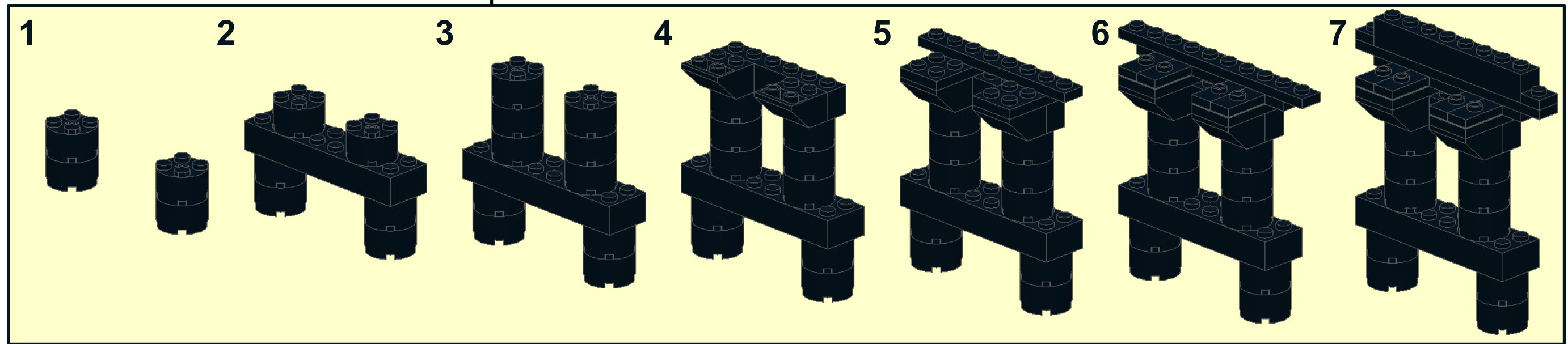
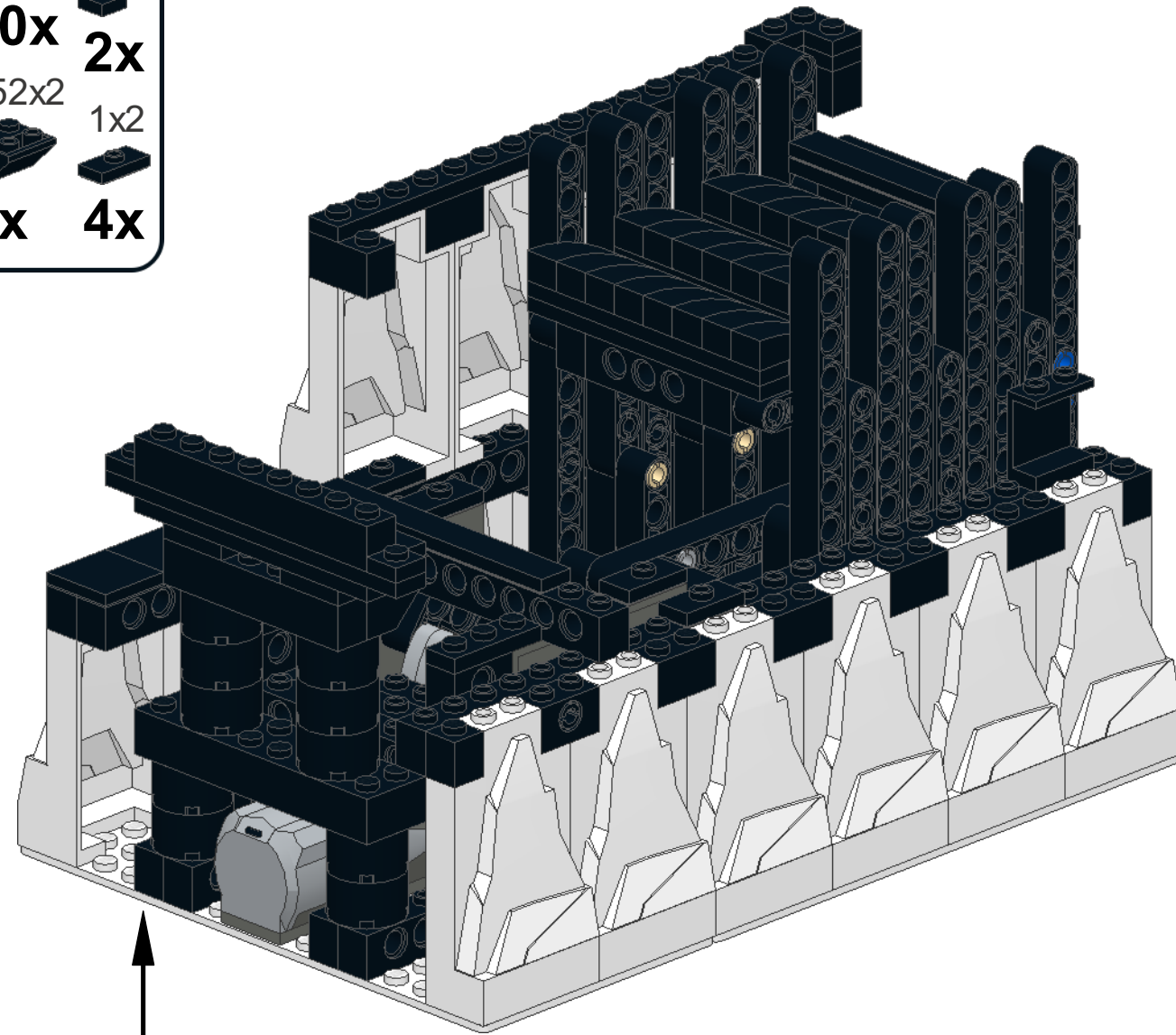


28



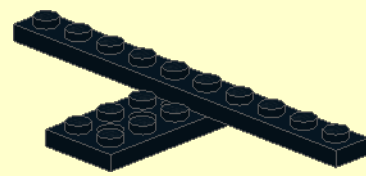
29

				
1x	1x	2x	10x	2x
				
1x	1x	1x	2x	4x



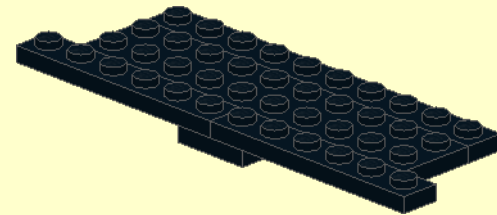
1

2x4
1x10
1x
1x



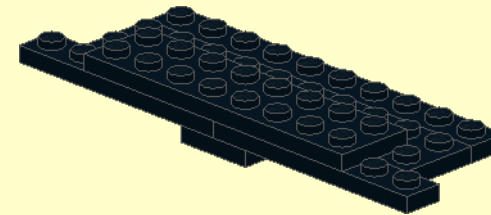
2

1x6
2x10
2x
1x



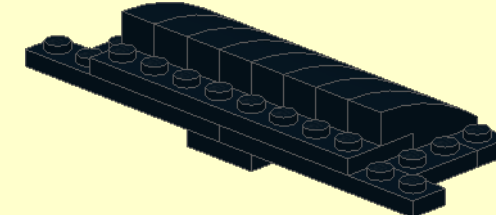
3

2x8
1x



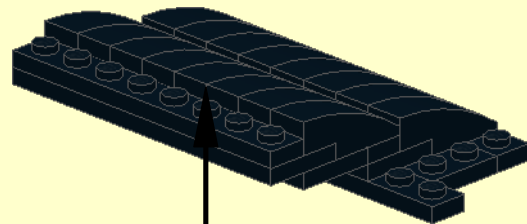
4

3x1
8x



5

2x8
3x1
2x8
1x8
1x
8x
2x



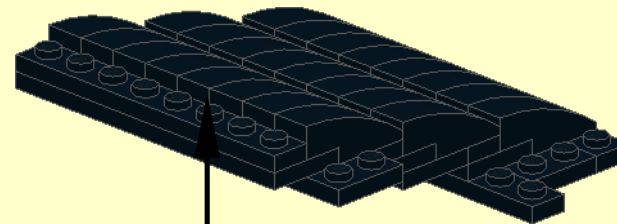
1

2

3

6

1x8
2x10
3x1
2x8
1x
8x
1x

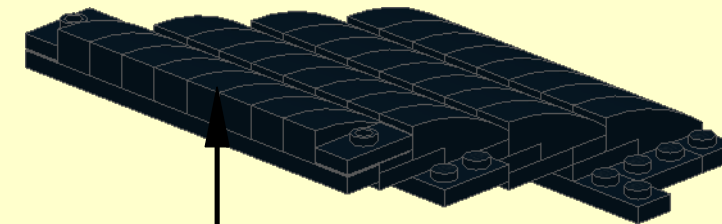


1

2

7

1x10
3x1
1x2
1x
8x
2x

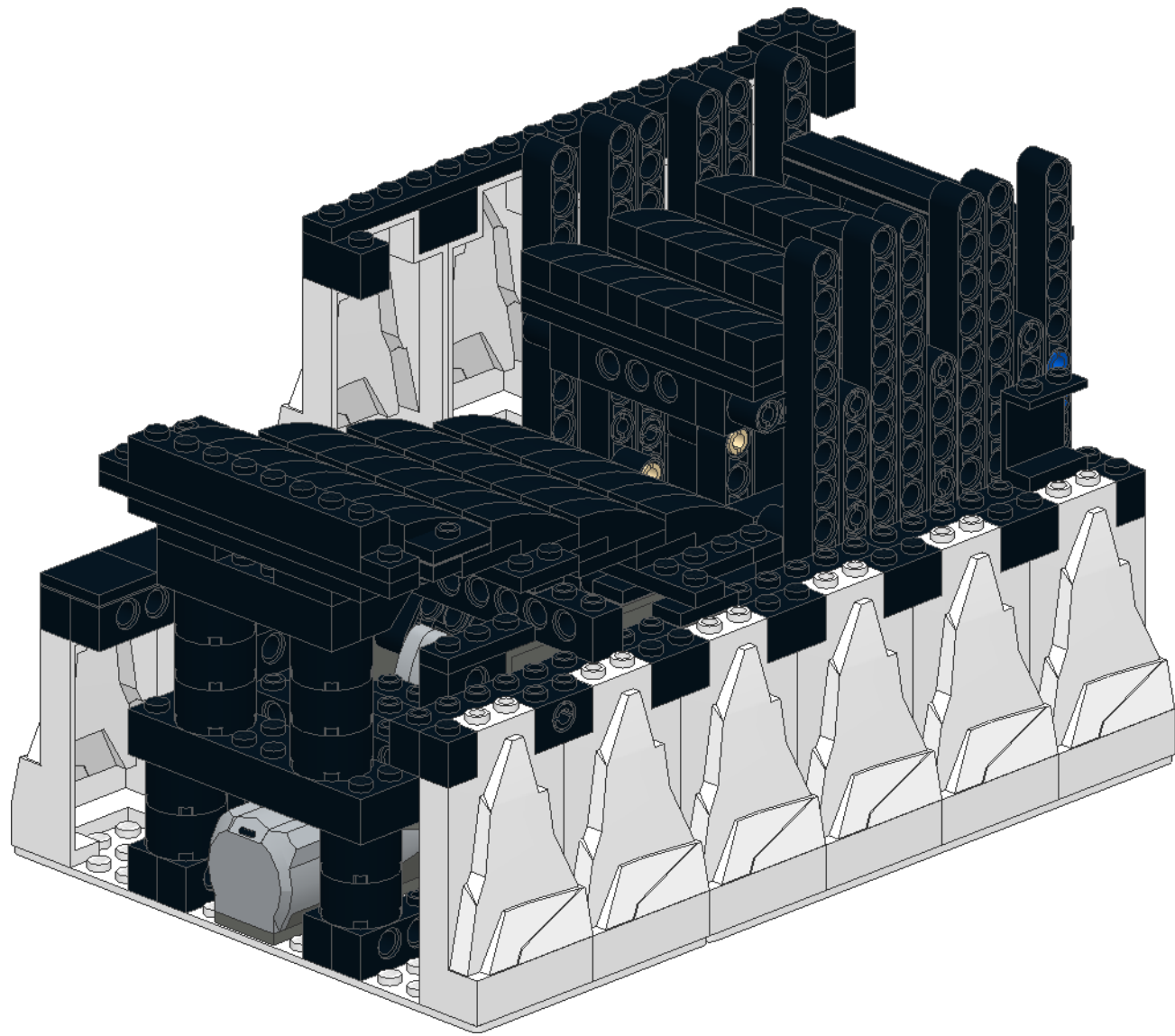


1

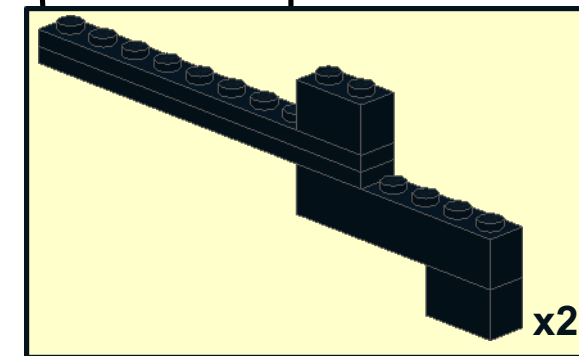
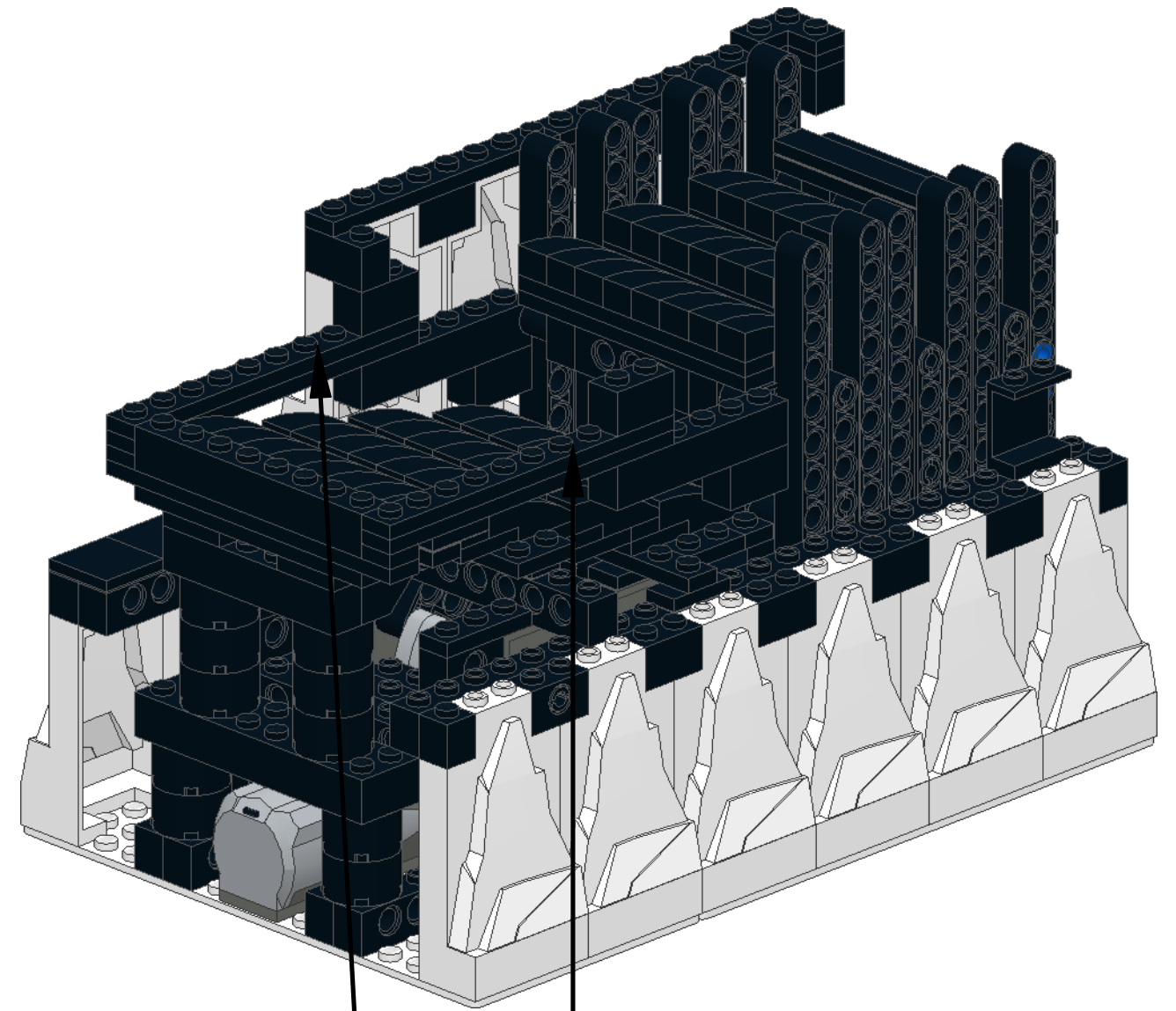
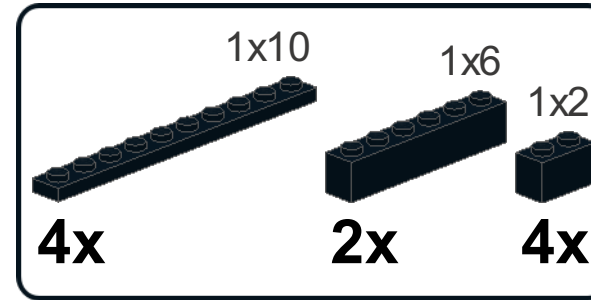
2

3

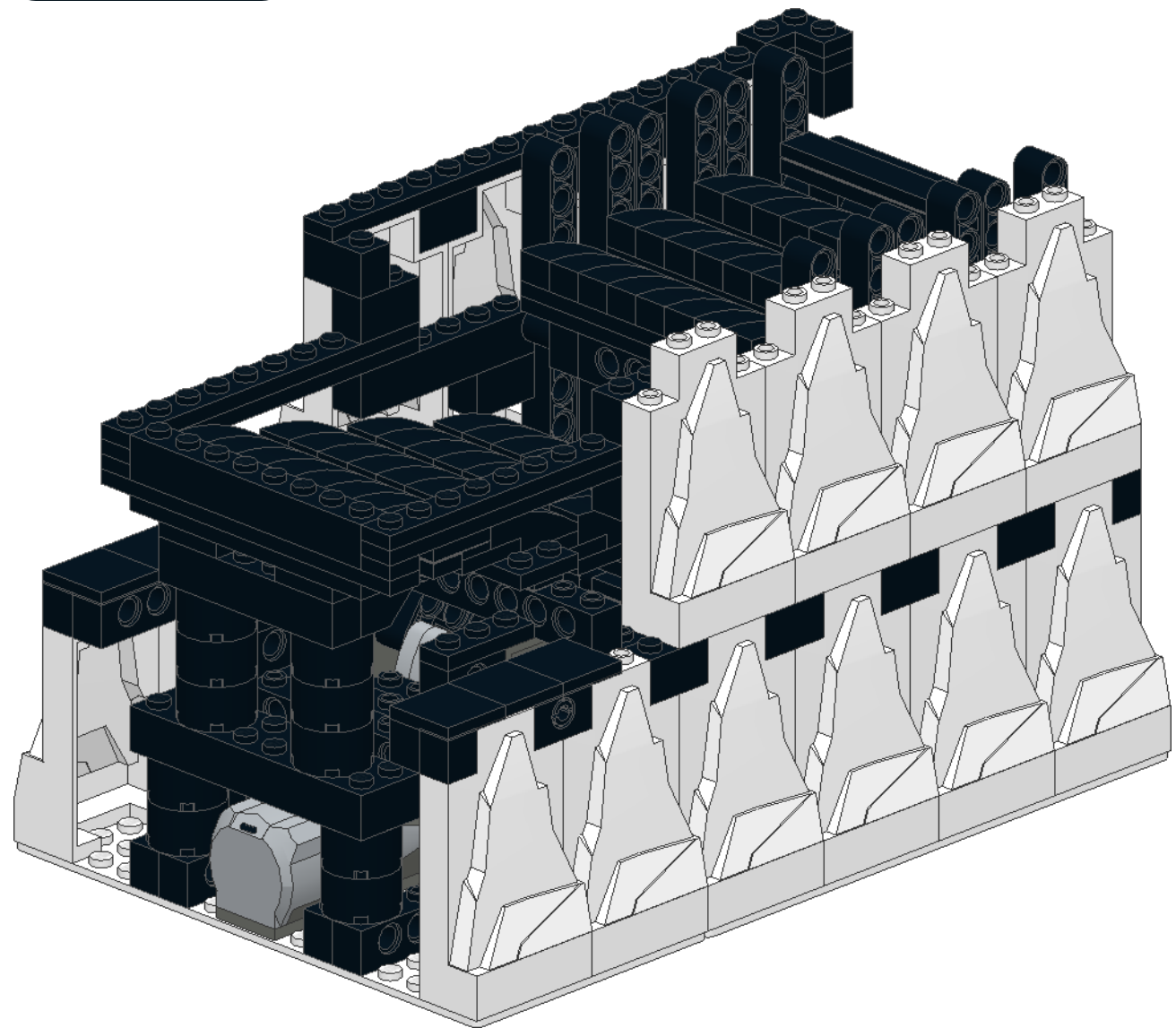
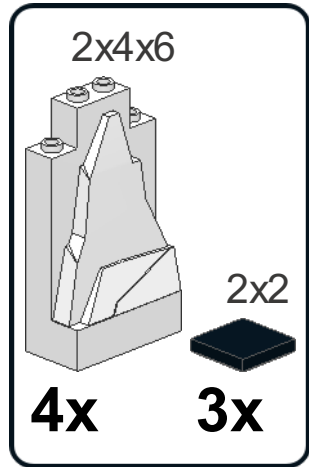
30



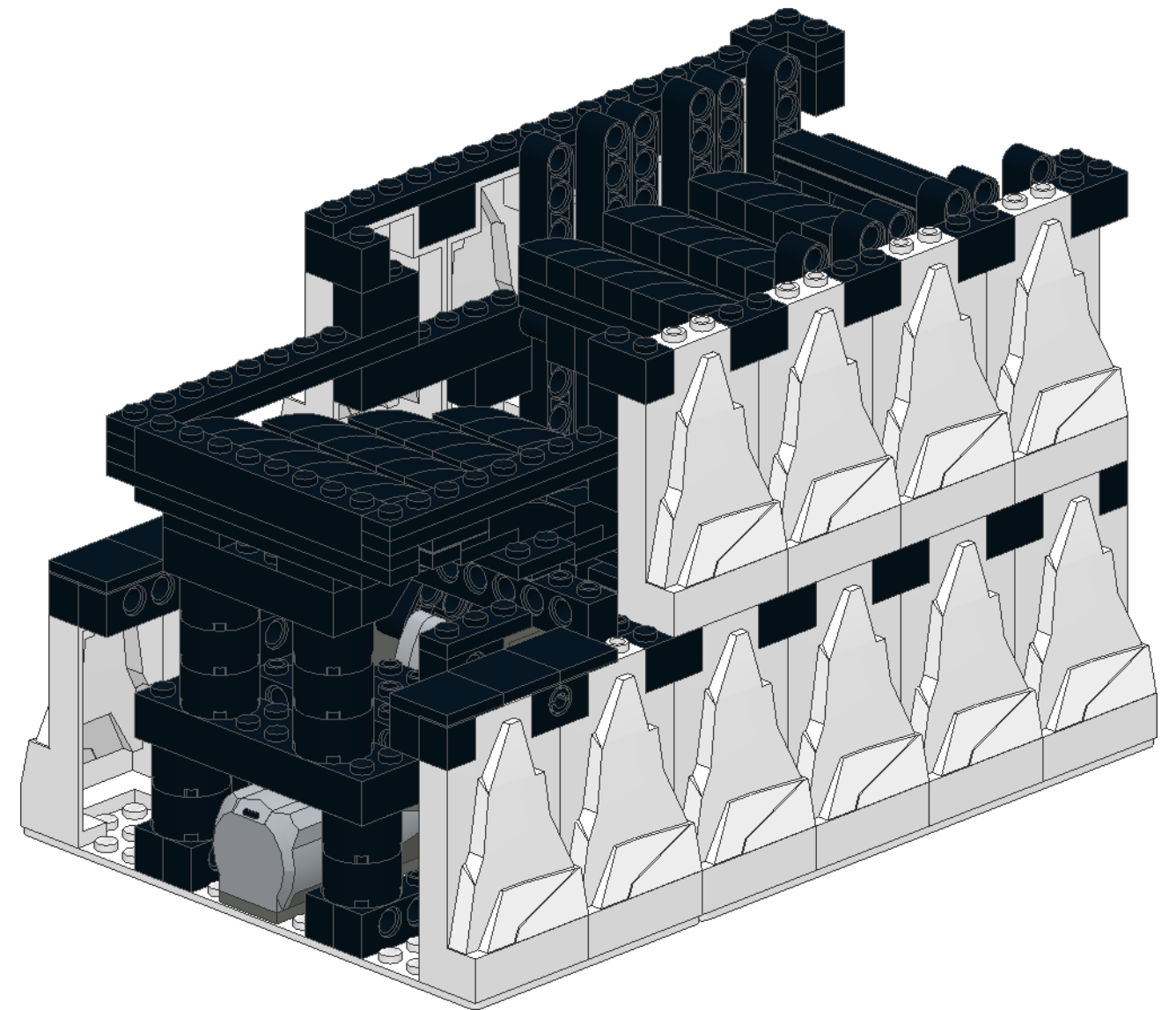
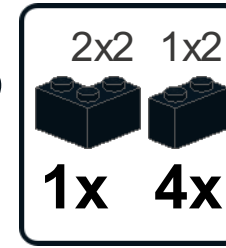
31



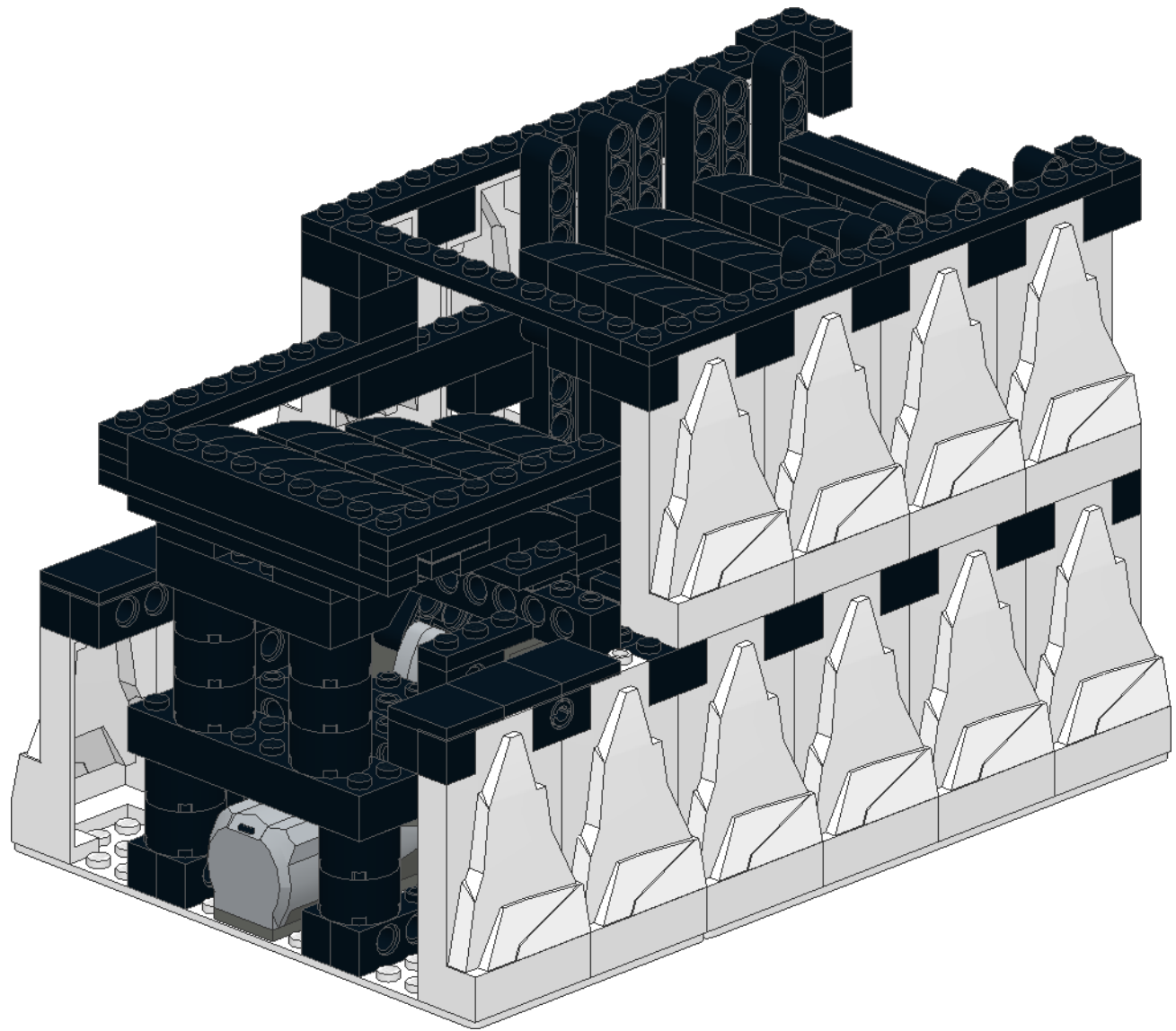
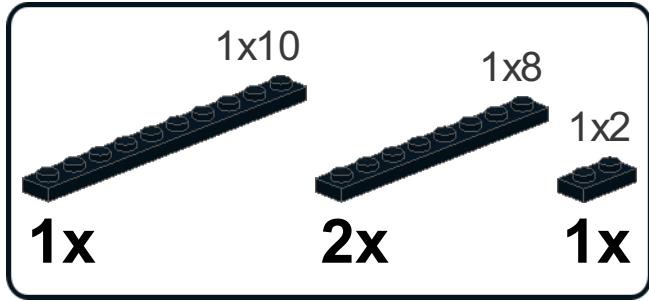
32



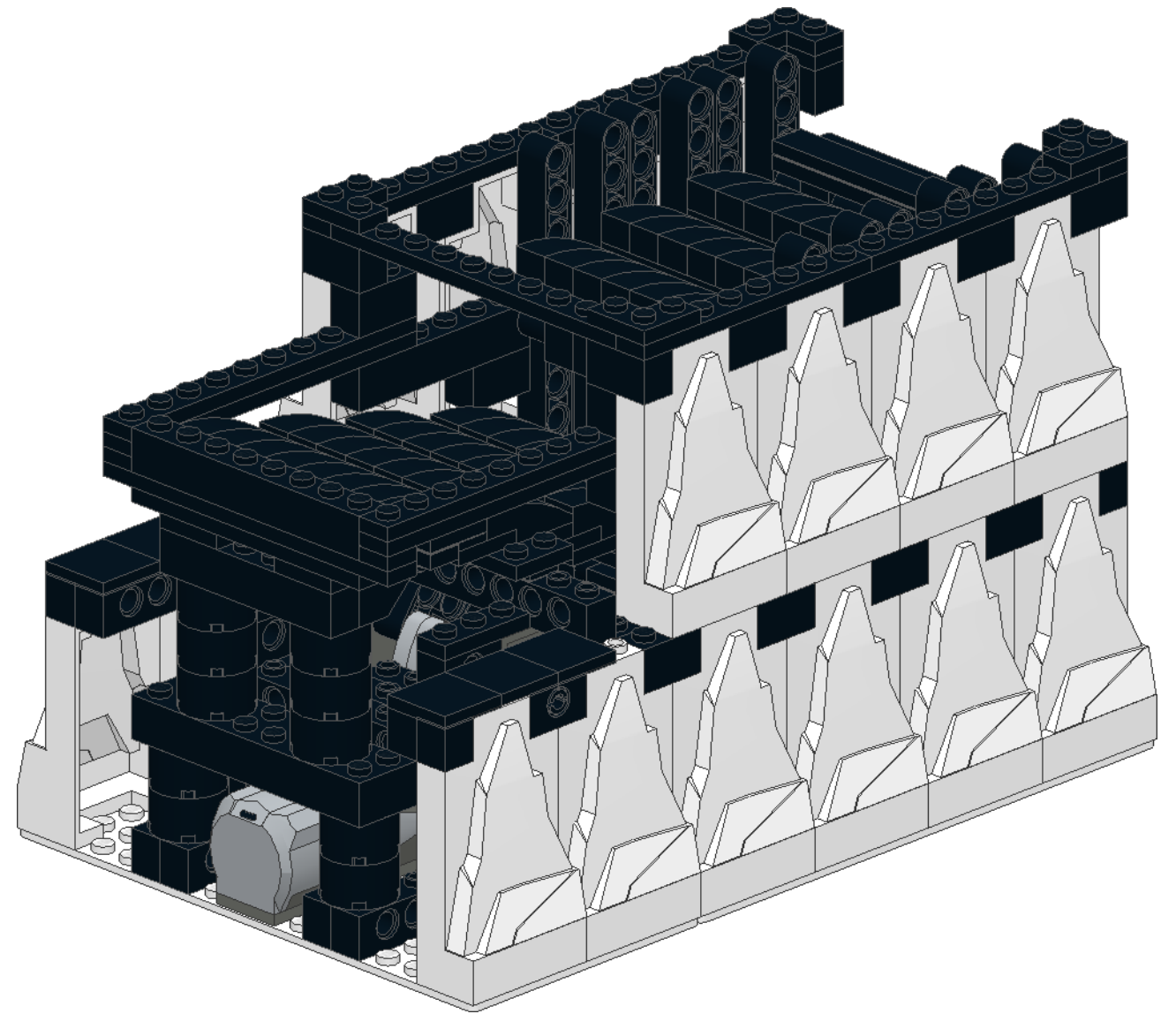
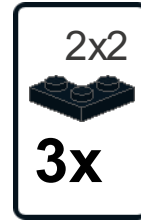
33



34



35



zwarte ijsblokjes

Model instructions by Maico Arts

Copyright © 2017

www.greatballcontraption.nl

lego@t-hok.nl

**LEGO® is a registered trademark of the LEGO Group,
which does not sponsor, endorse, or authorize these
instructions or the model they depict.**

**Instructions configured and generated using LPub3D "2"."0"."20".0.645
Download LPub3D at <http://sourceforge.net/projects/lpub3d/>**

