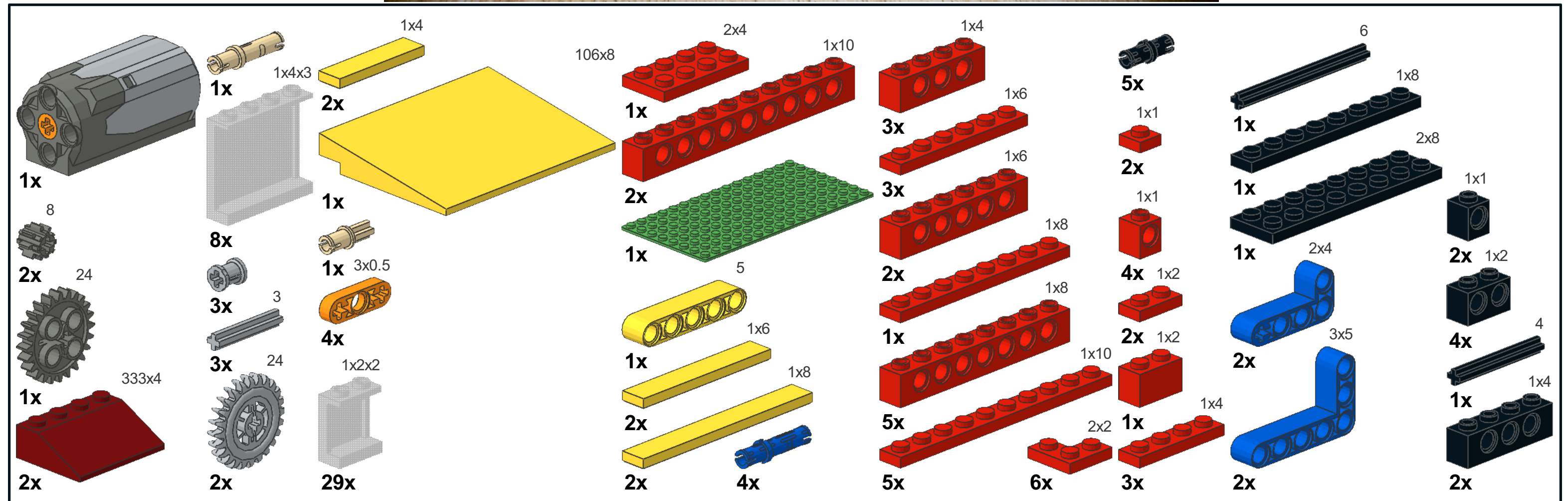
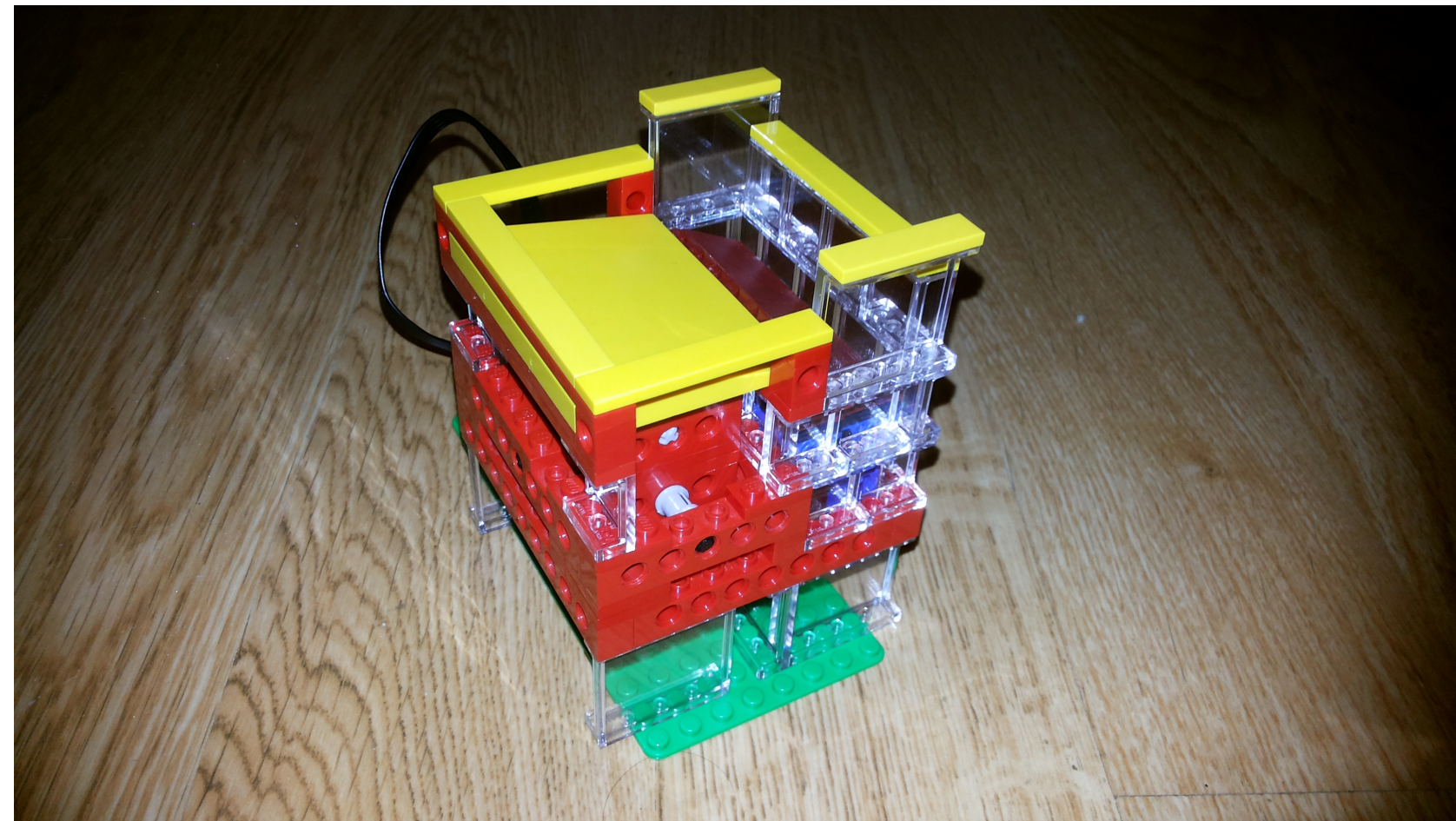
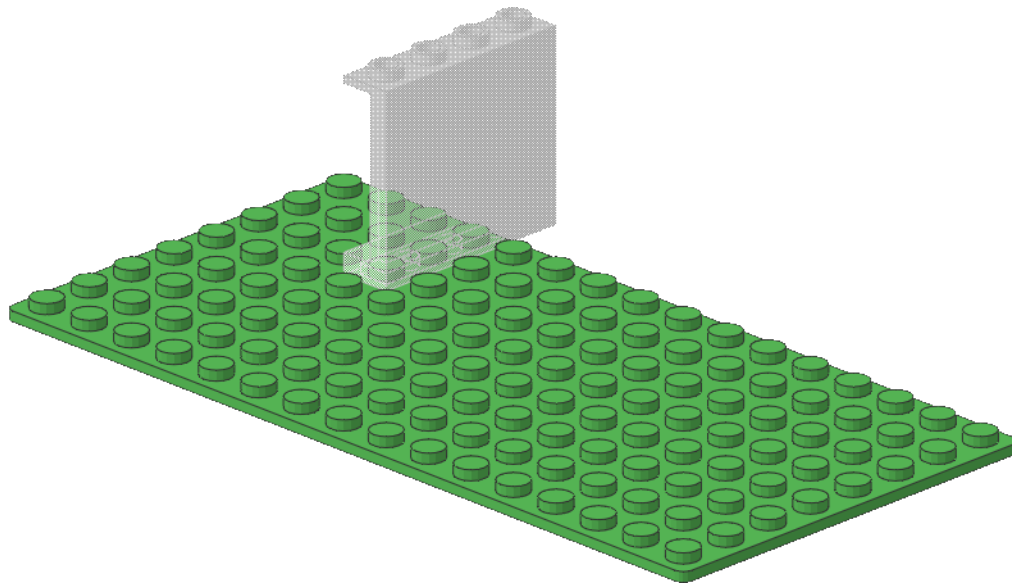
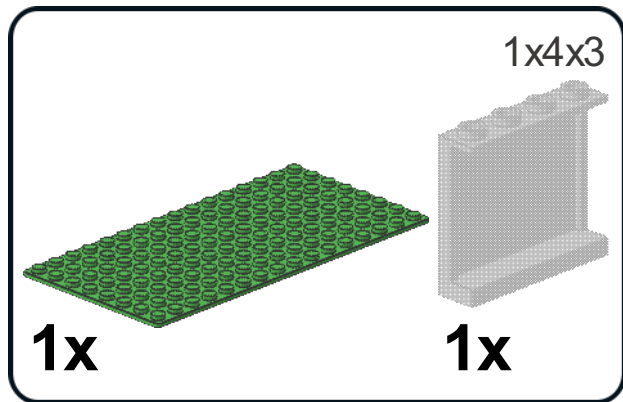


# transparente-mini

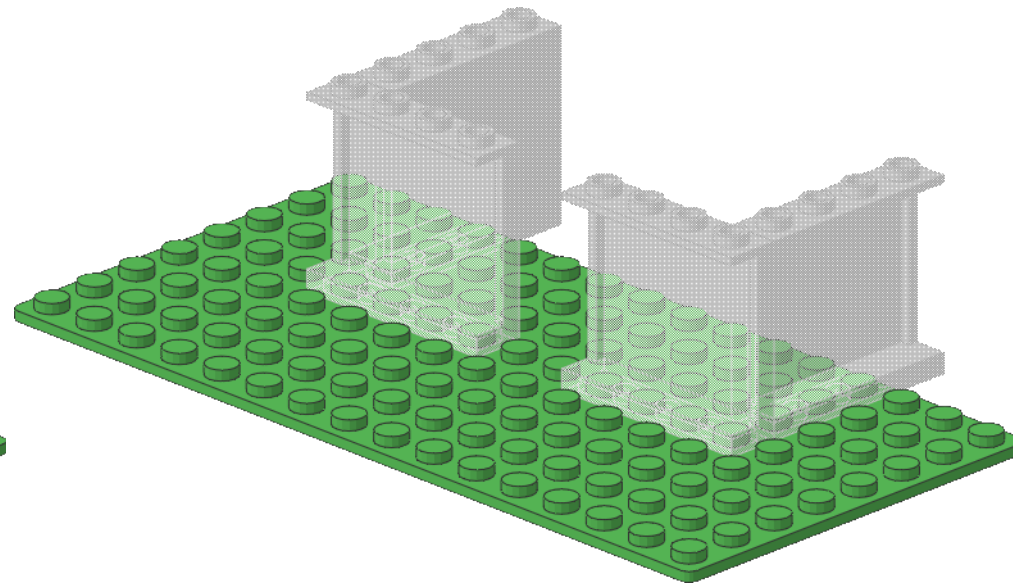
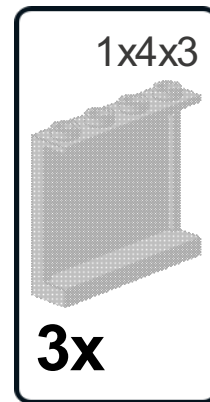
Model instructions by Maico Arts



**1**

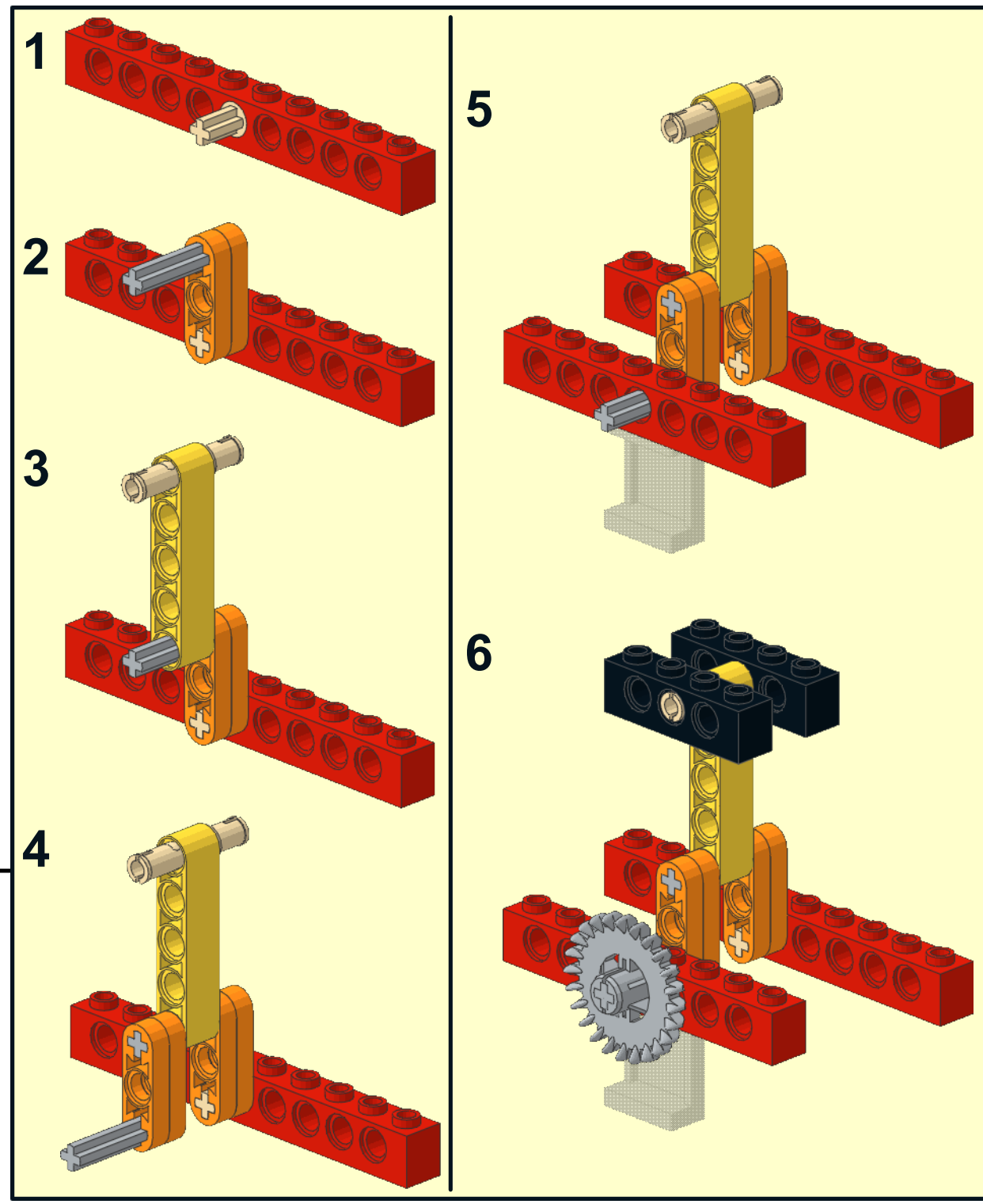
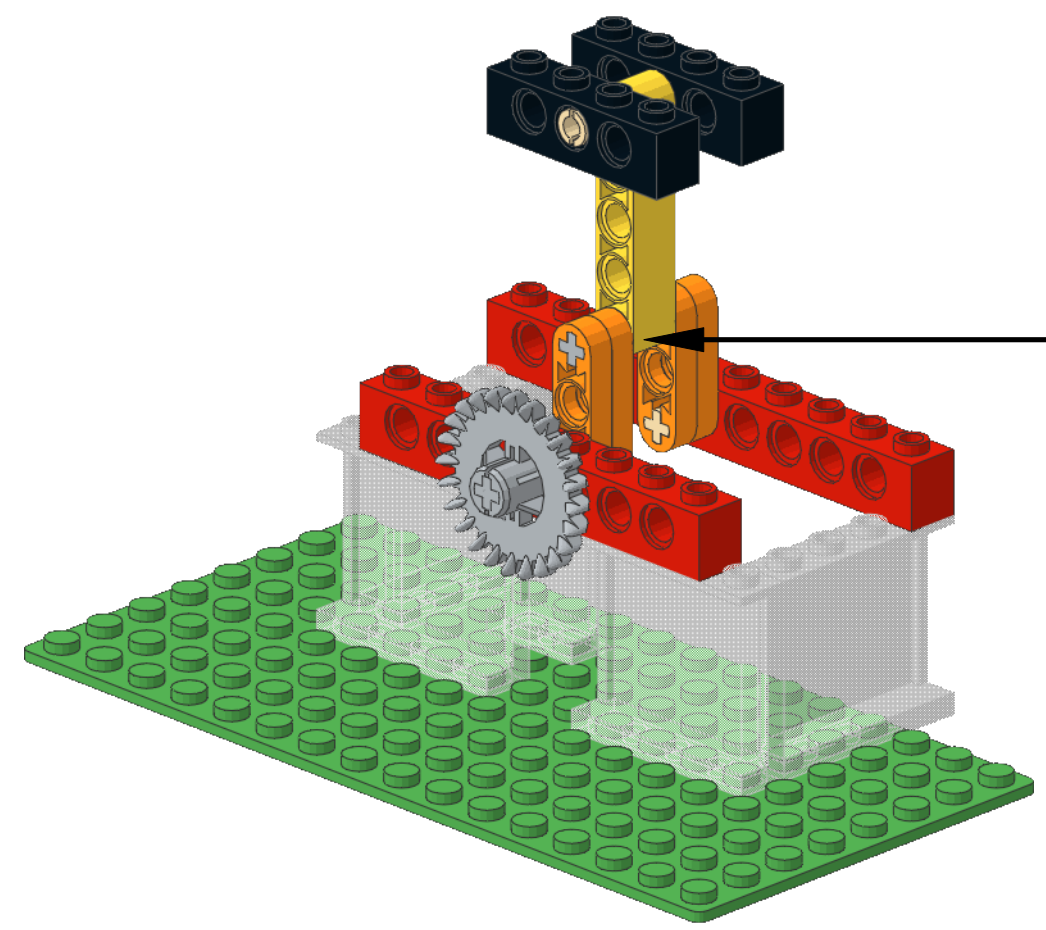


**2**

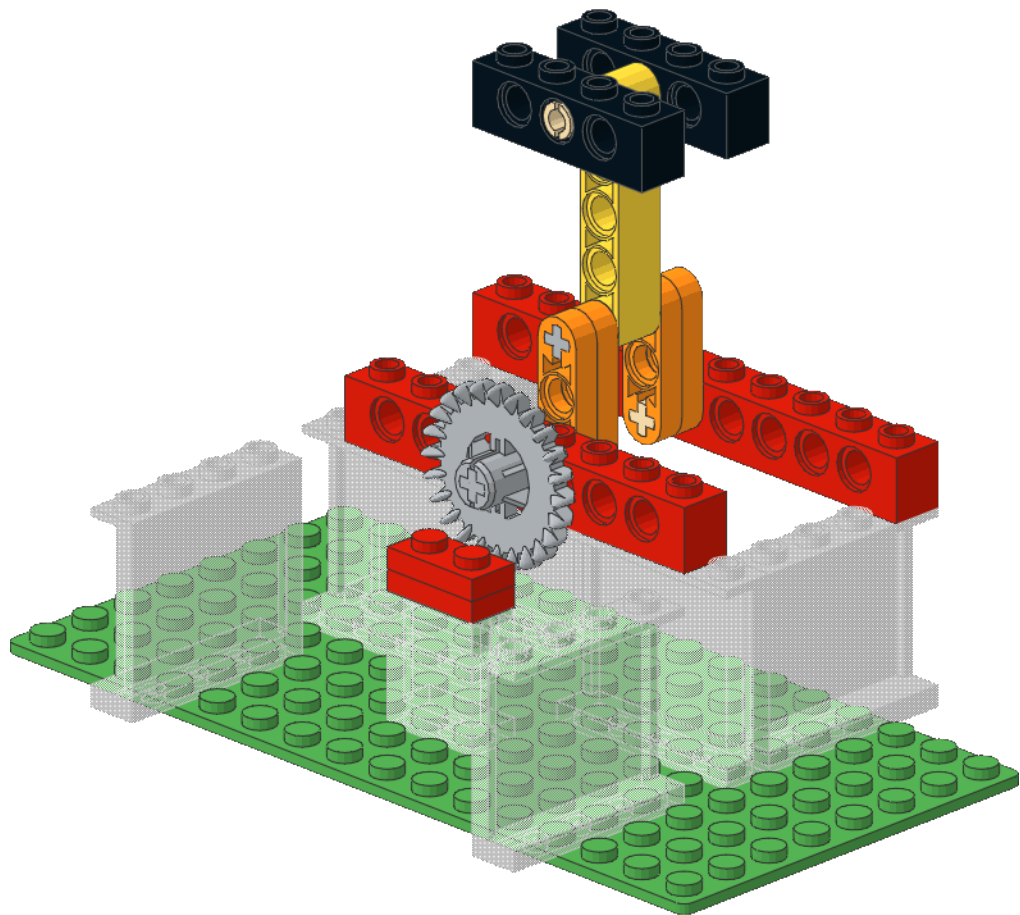
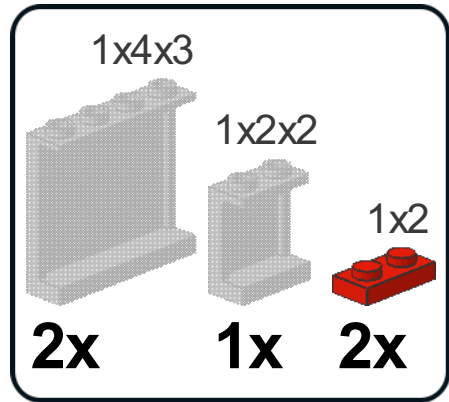


3

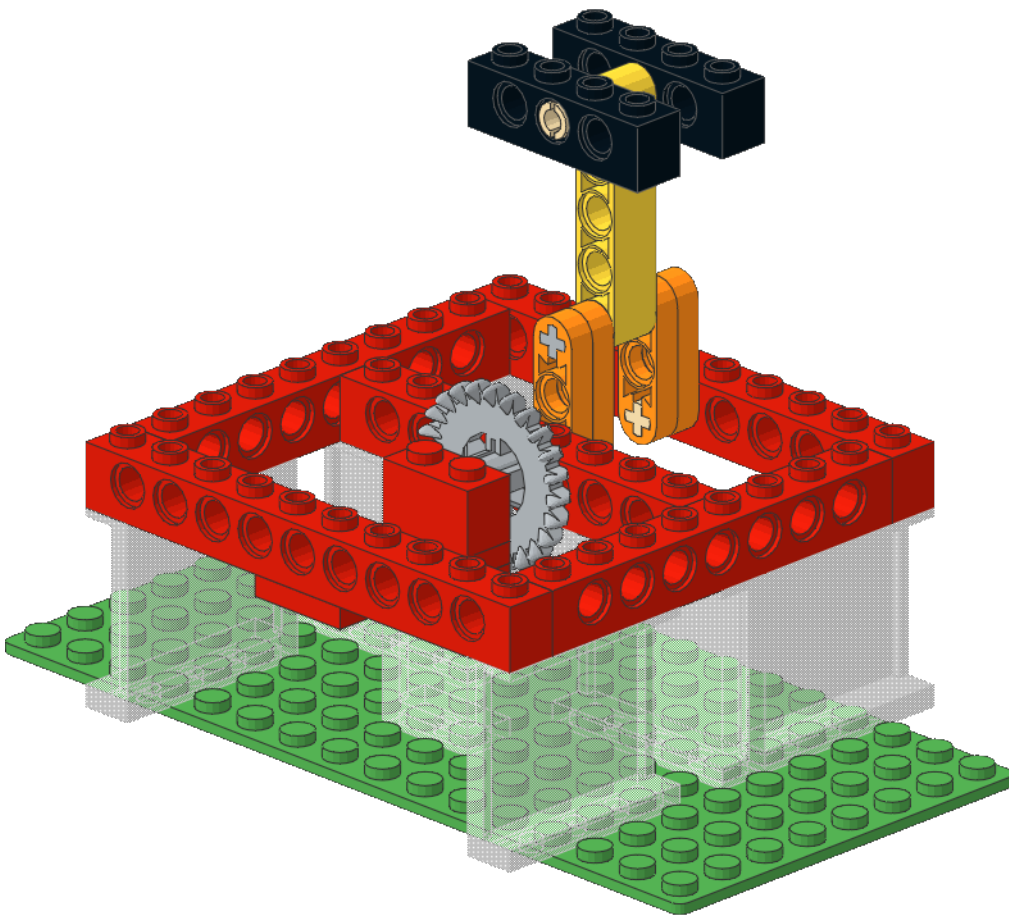
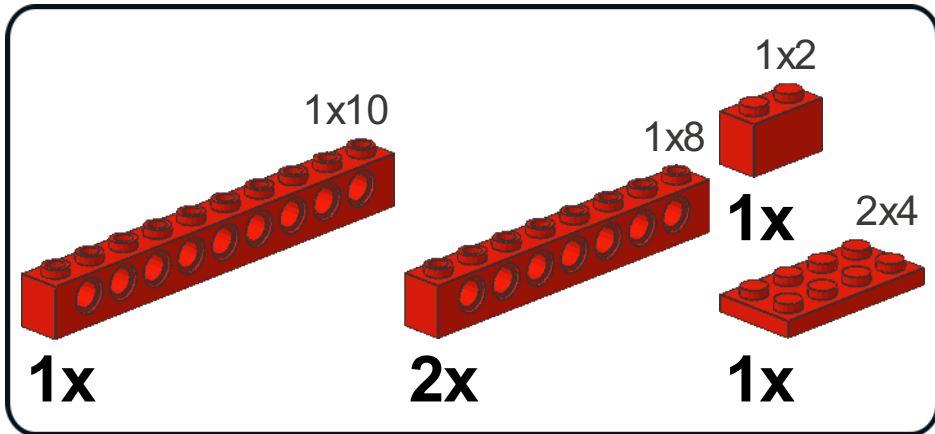
- 1x 1x8 (red)
- 1x 1x10 (red)
- 1x 1x4 (black)
- 2x 1x4 (black)
- 1x 1x4 (yellow)
- 1x 1x4 (grey)
- 2x 1x2x2 (grey)
- 3 1x2x2 (grey)
- 1x 24 (grey gear)
- 1x 5 (yellow axle)
- 1x 3x0.5 (orange)
- 1x 4x (orange)
- 1x 1x (grey pin)
- 1x 1x (grey pin)
- 1x 1x (grey pin)
- 1x 1x (grey pin)
- 1x 1x (grey pin)
- 1x 1x (grey pin)



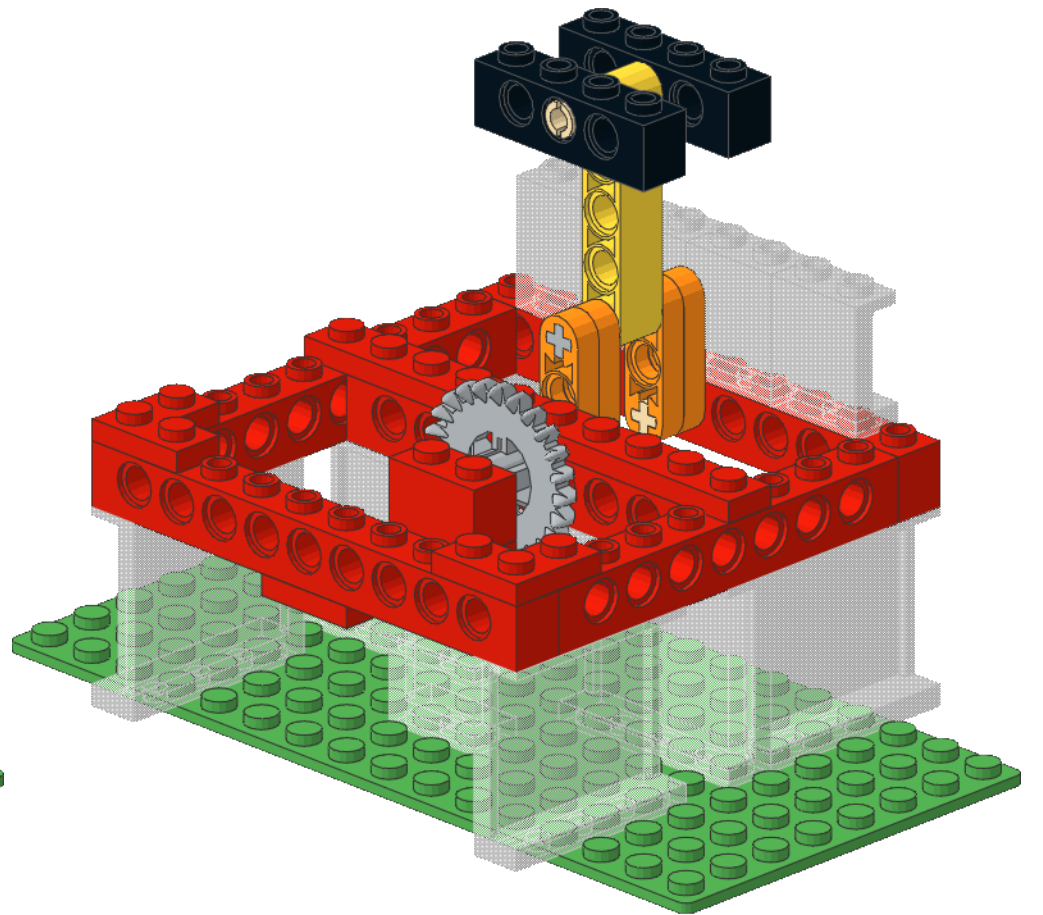
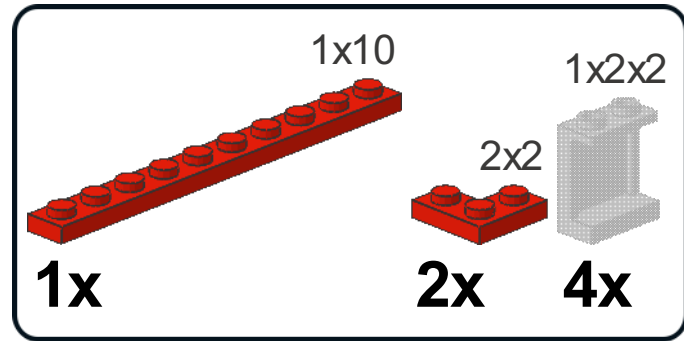
4



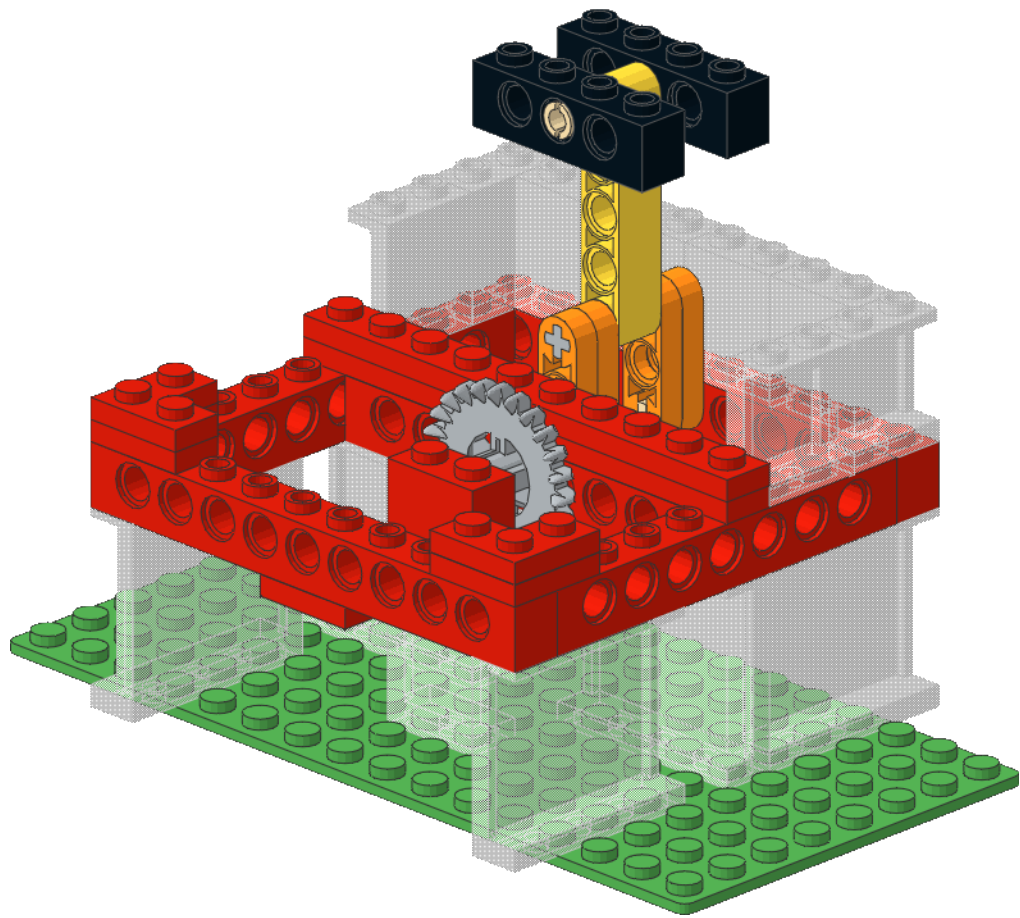
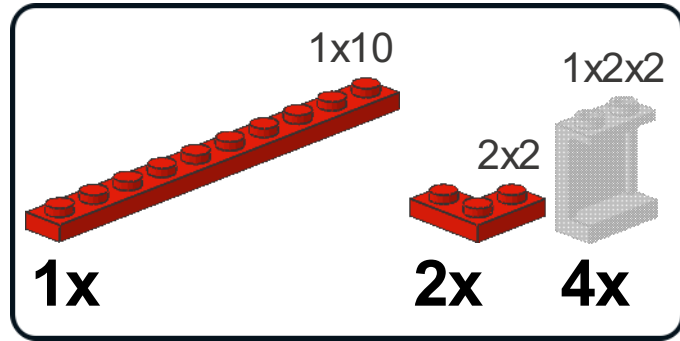
5



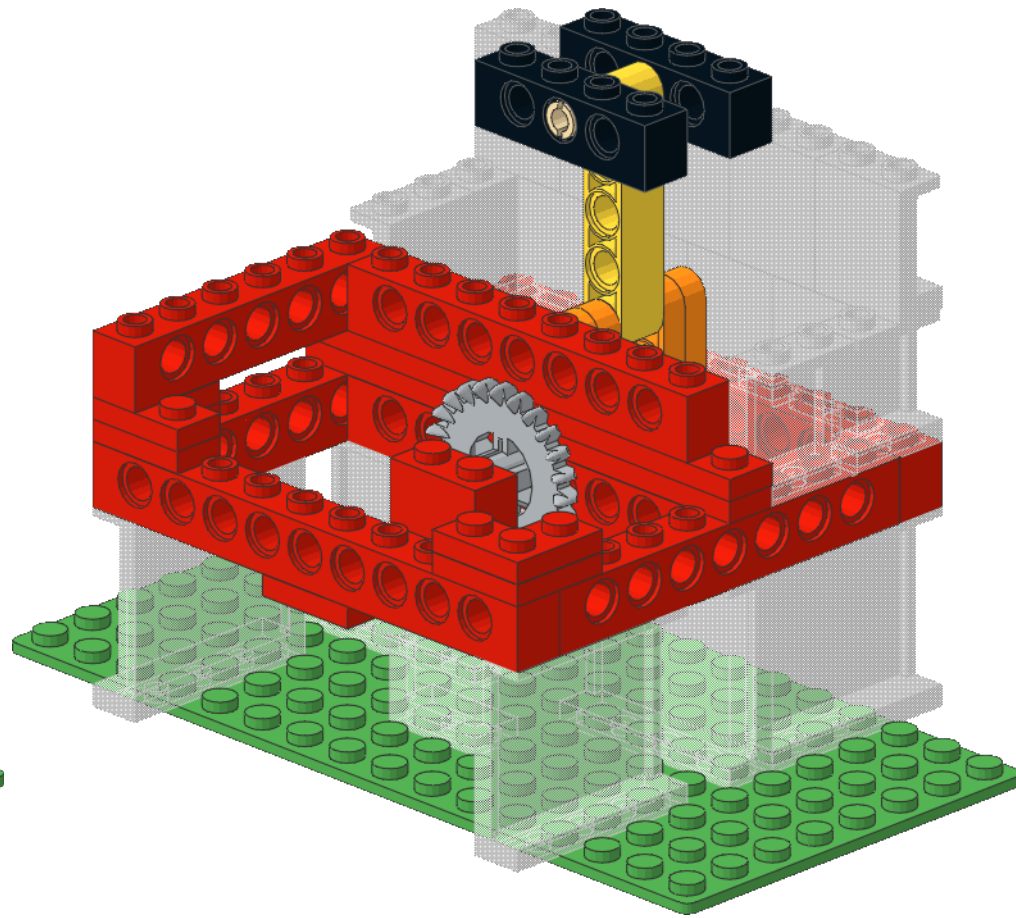
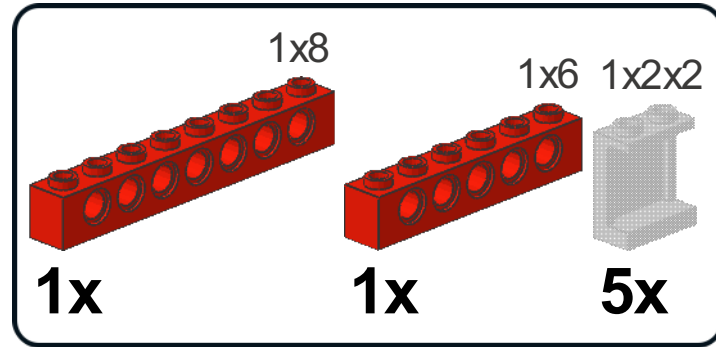
6



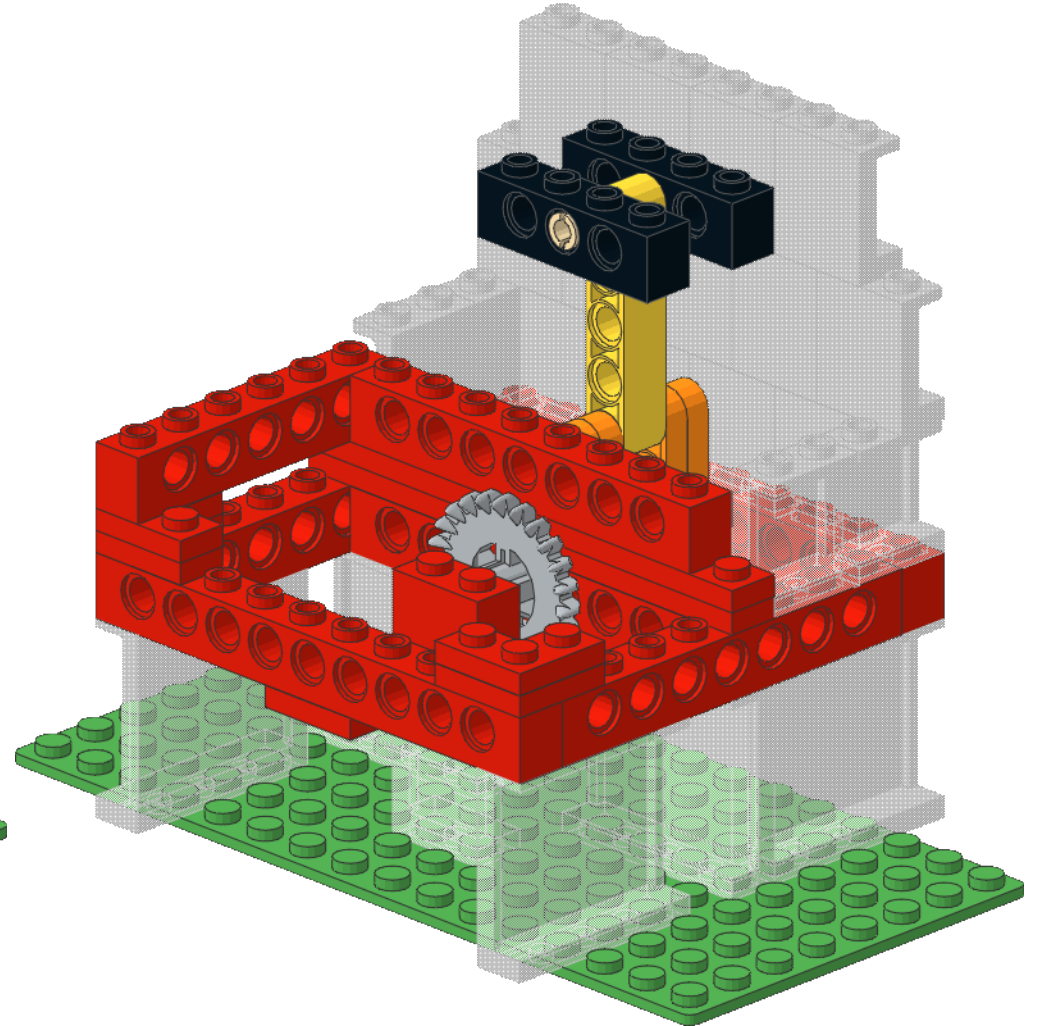
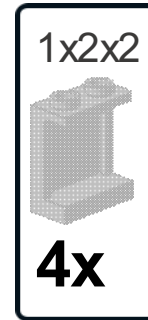
7



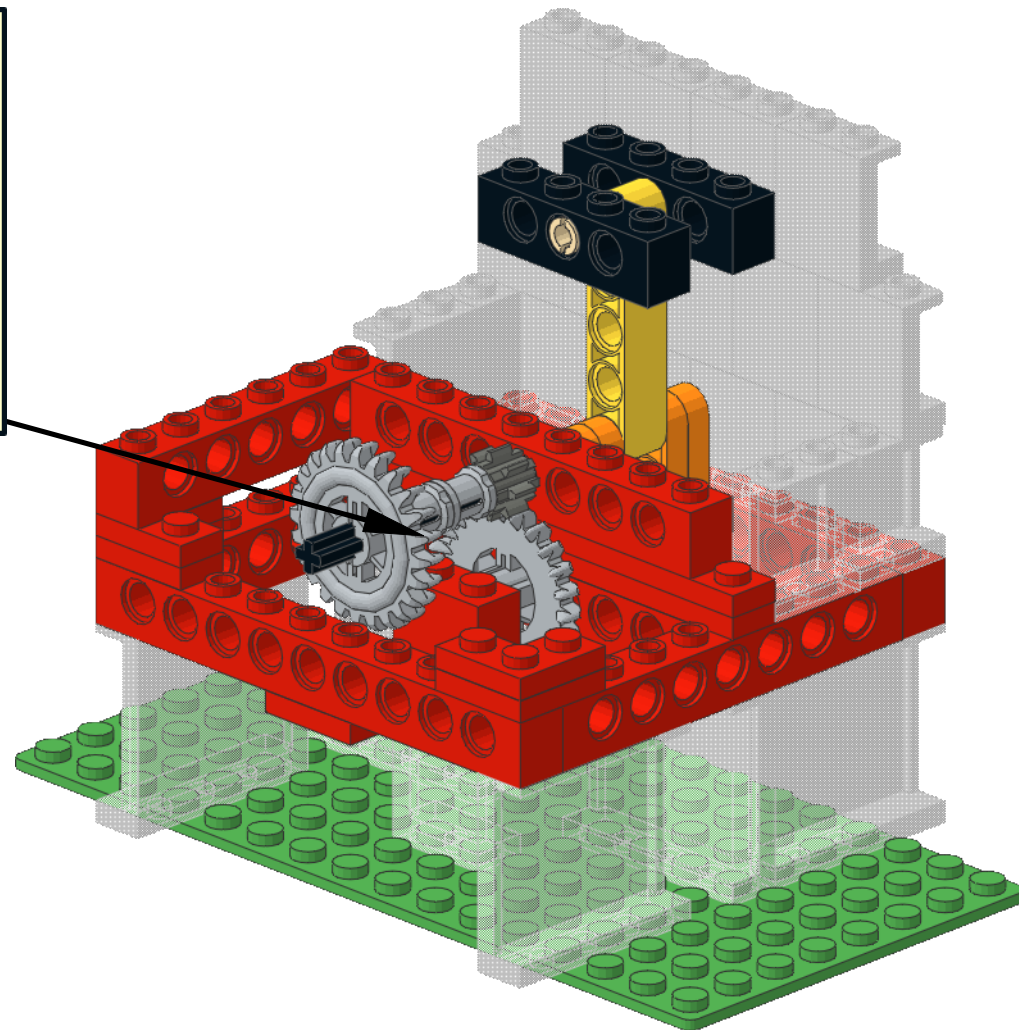
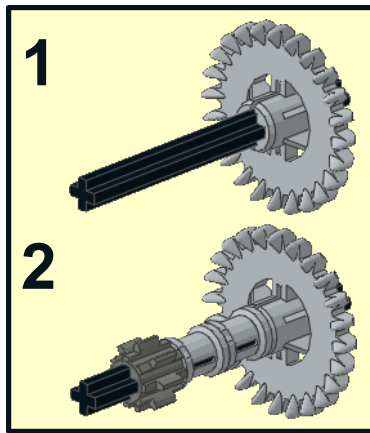
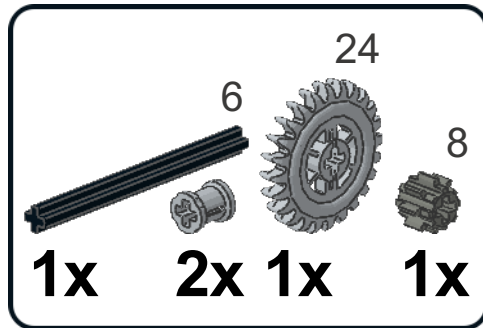
8



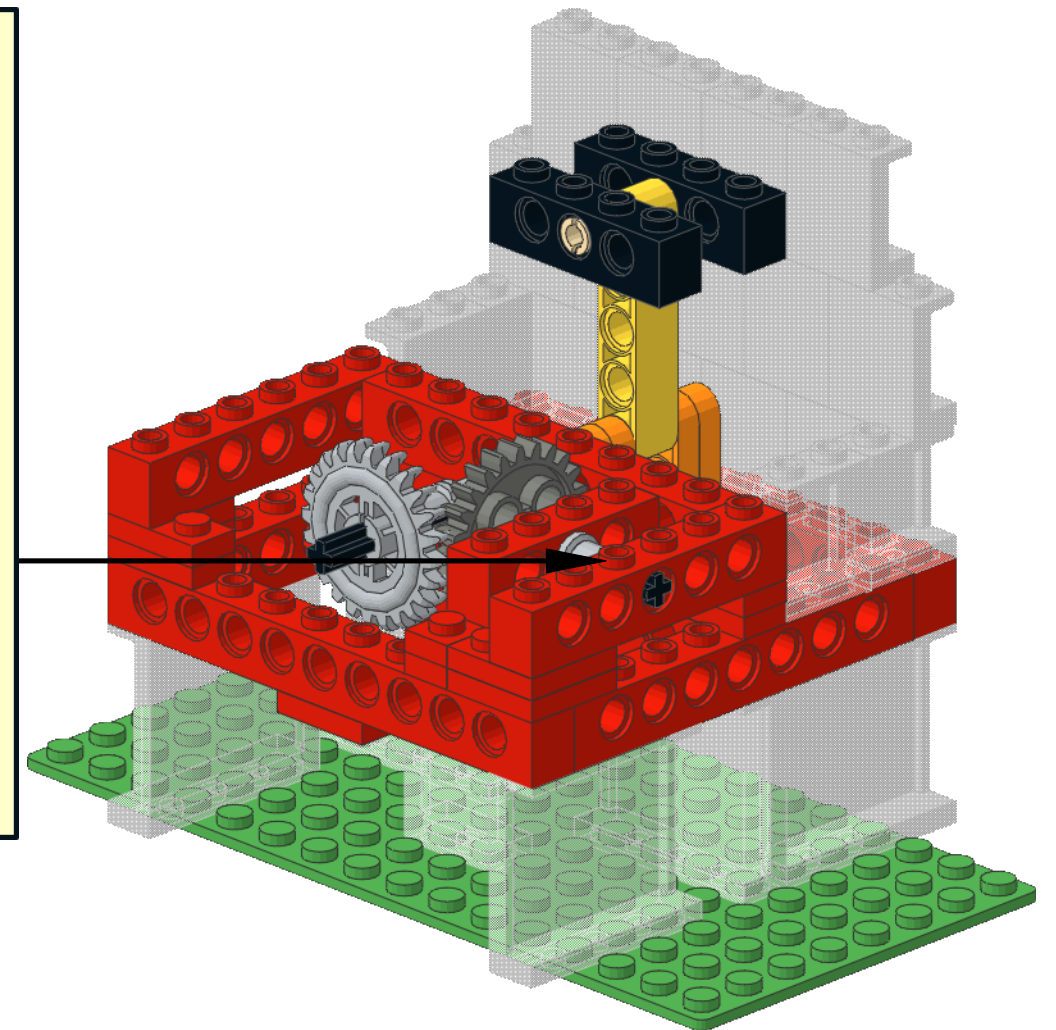
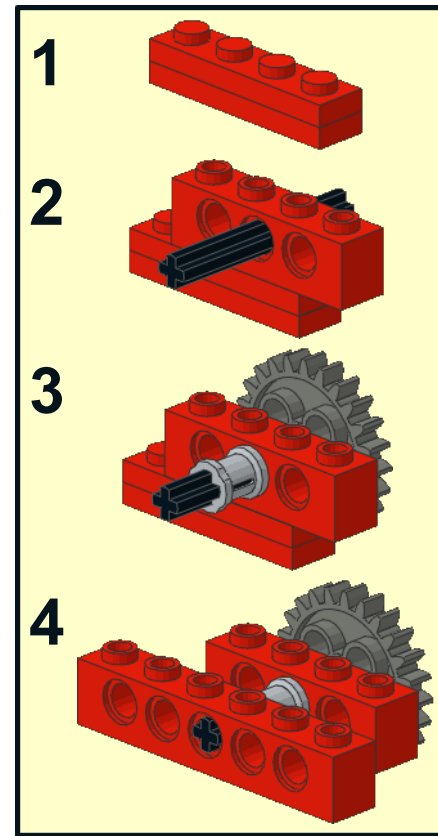
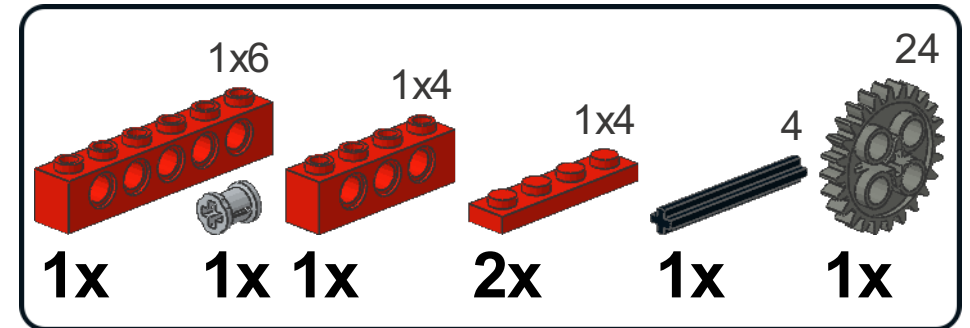
9



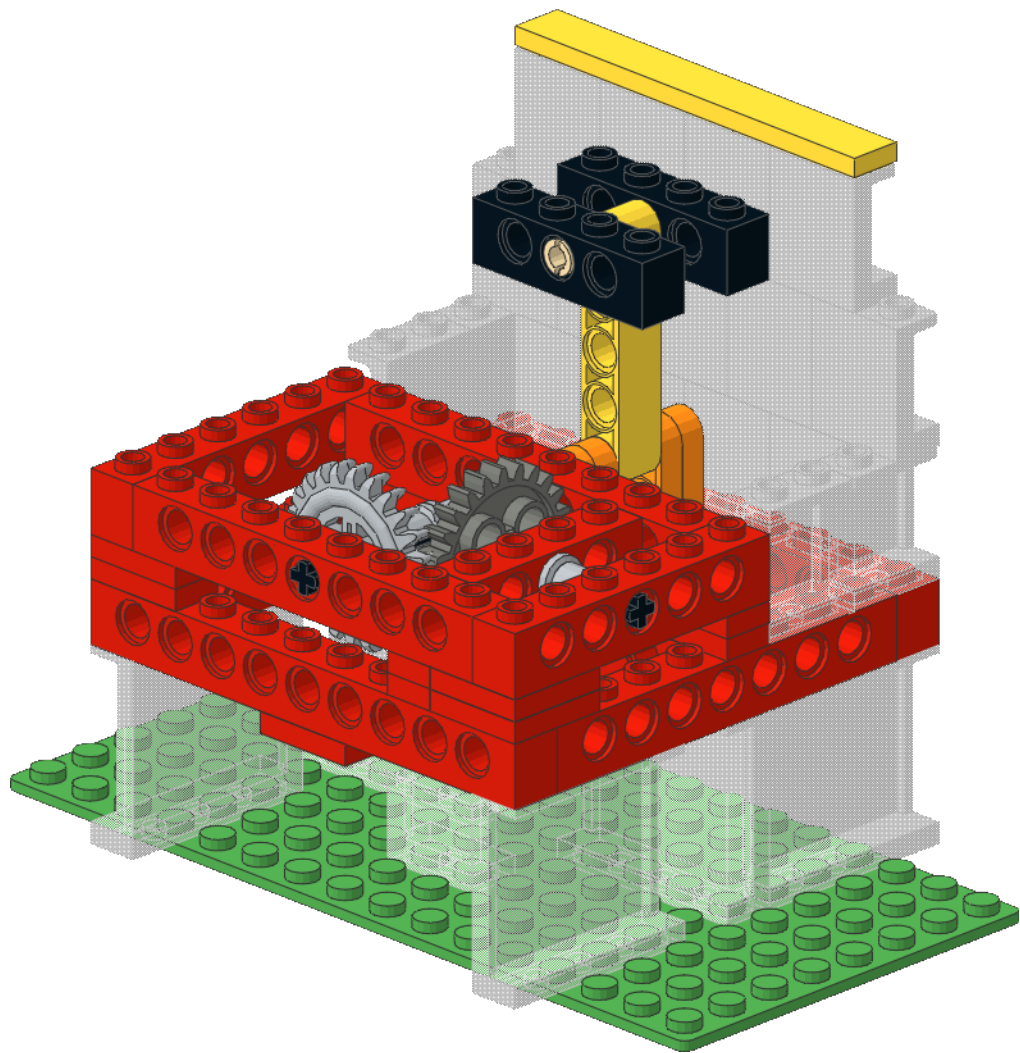
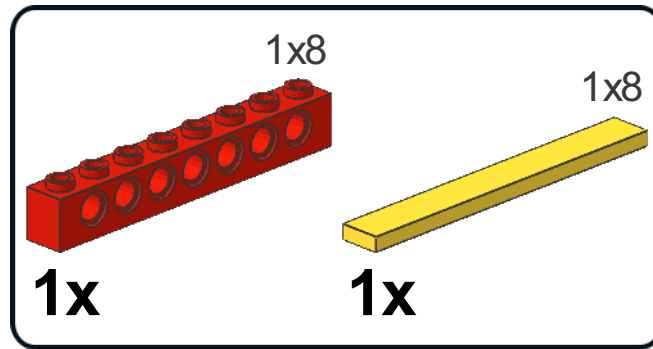
# 10



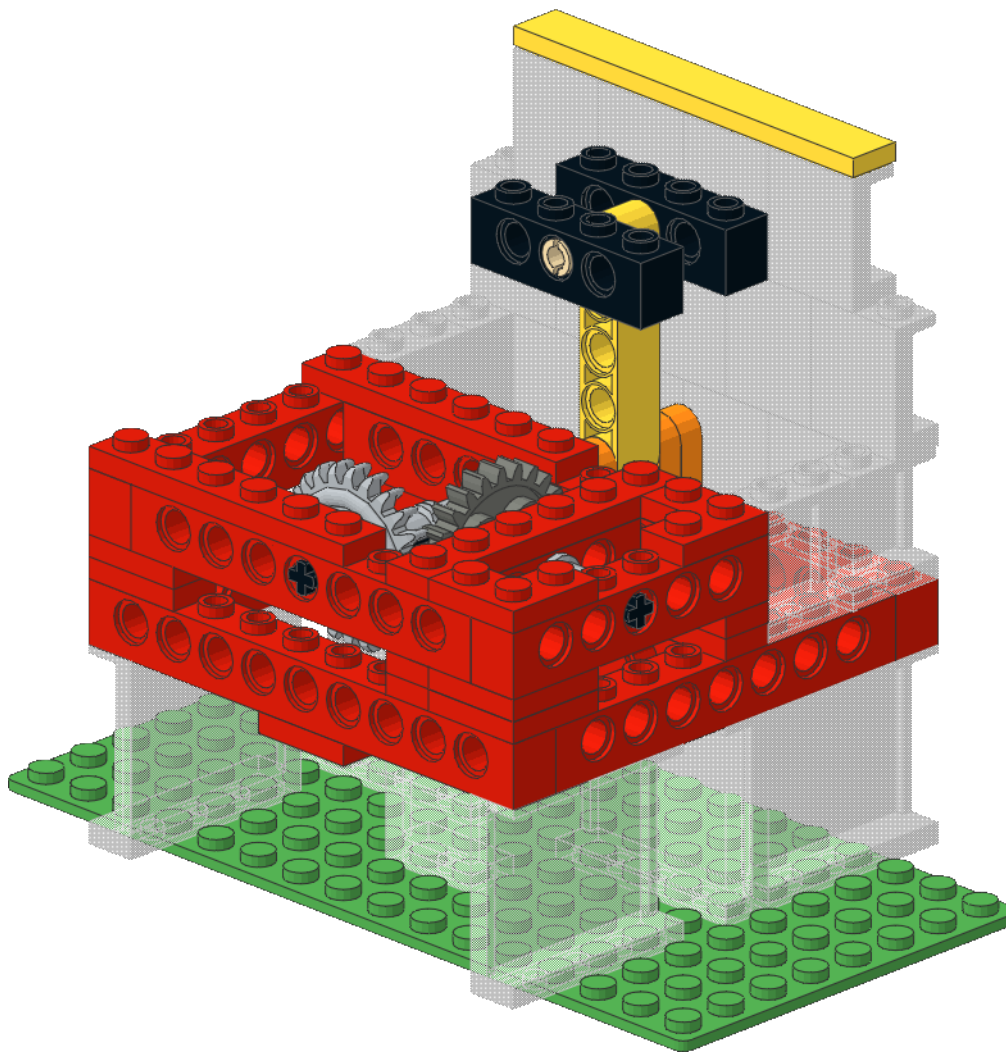
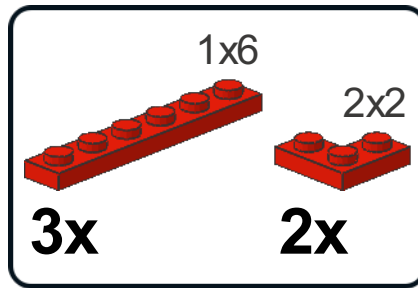
# 11



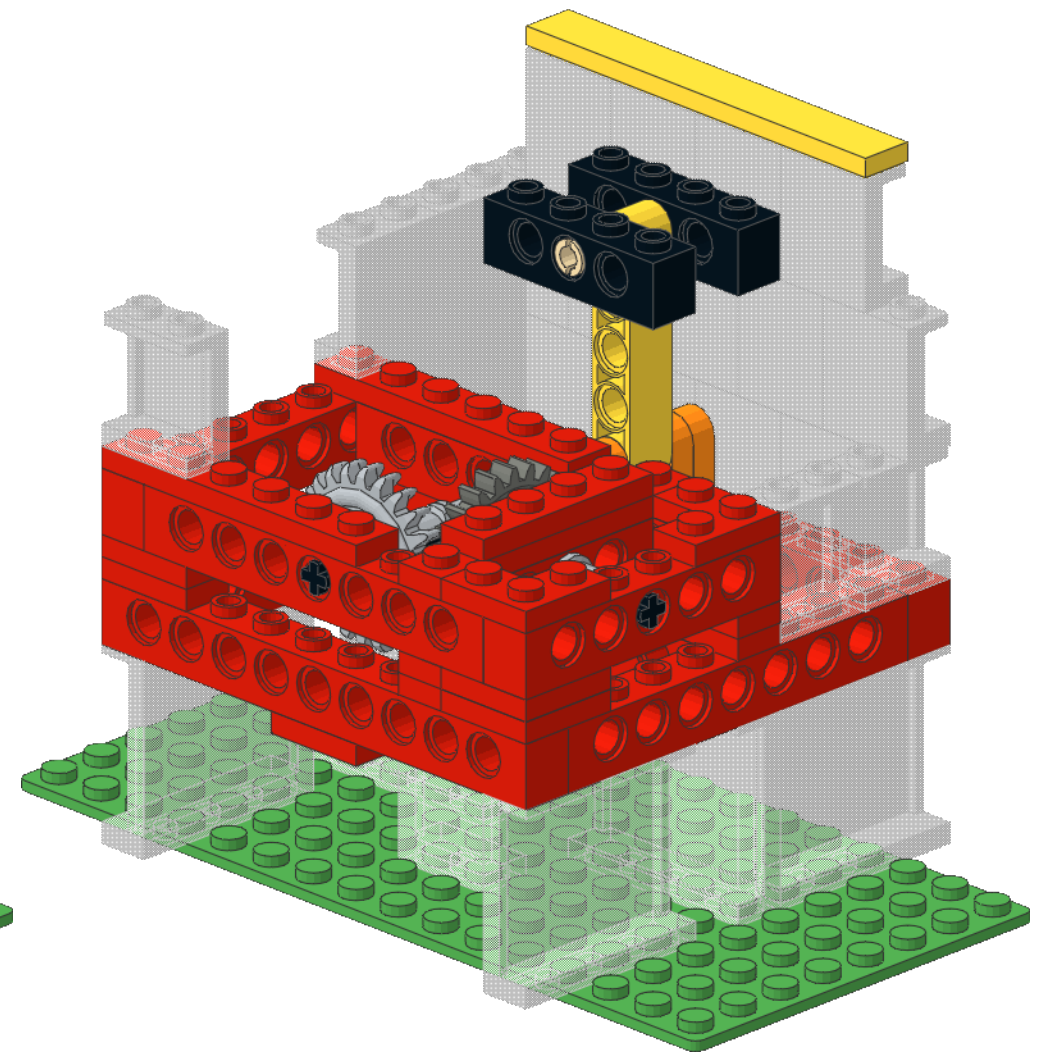
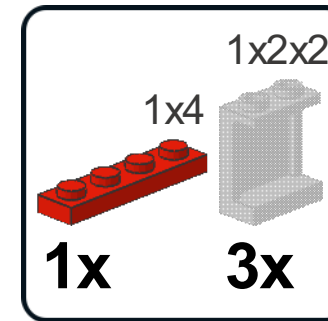
# 12



# 13

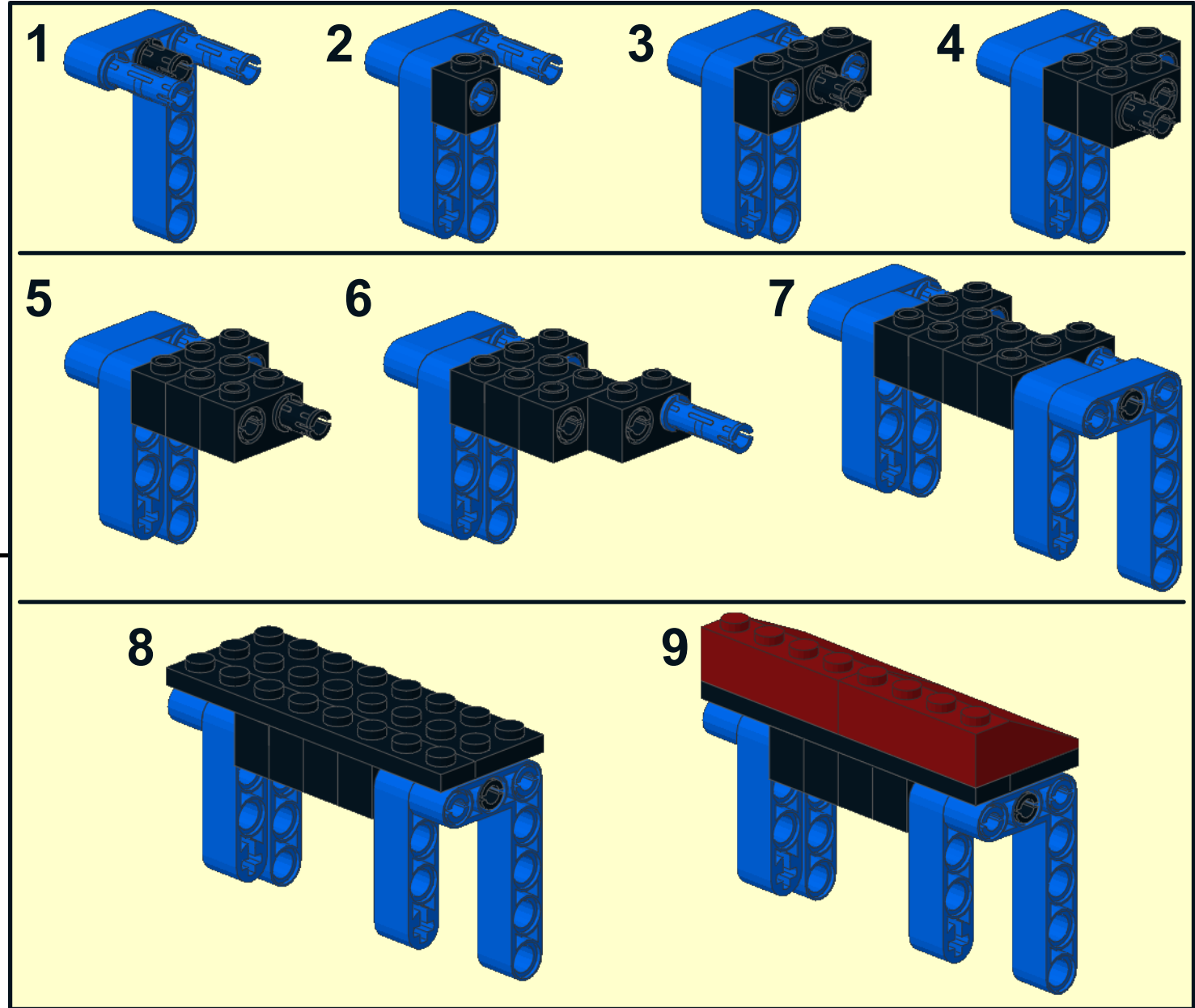
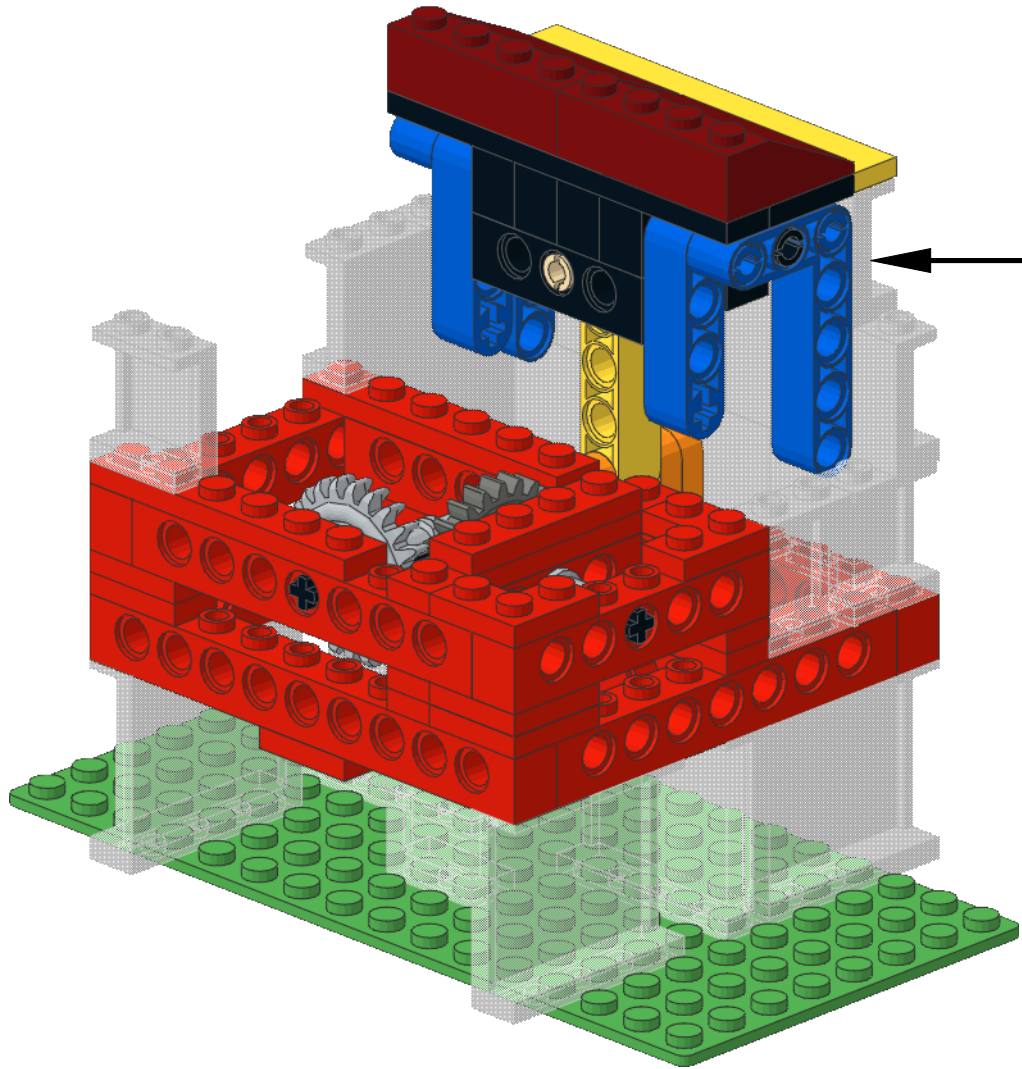


# 14



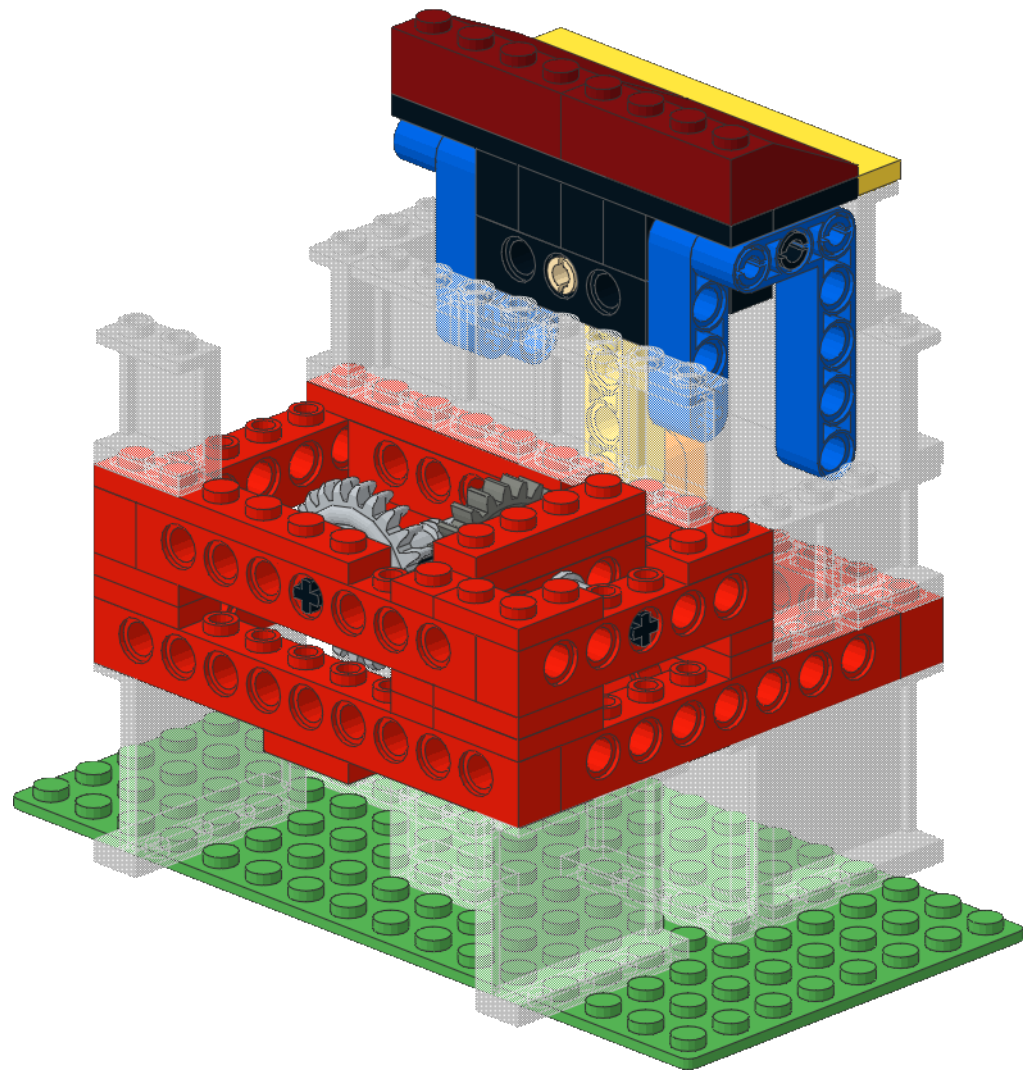
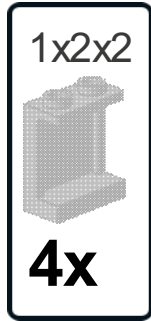
# 15

- 333x4
- 2x
- 1x8
- 1x
- 2x8
- 1x
- 3x
- 1x
- 4x
- 2x4
- 4x
- 1x1
- 1x
- 3x5
- 1x2
- 4x

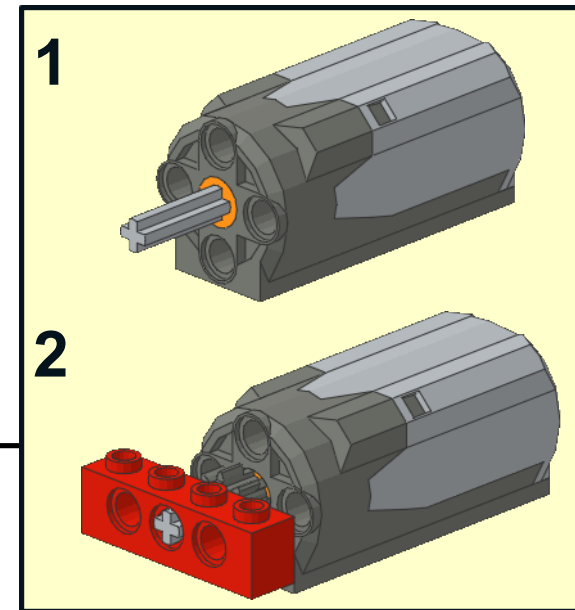
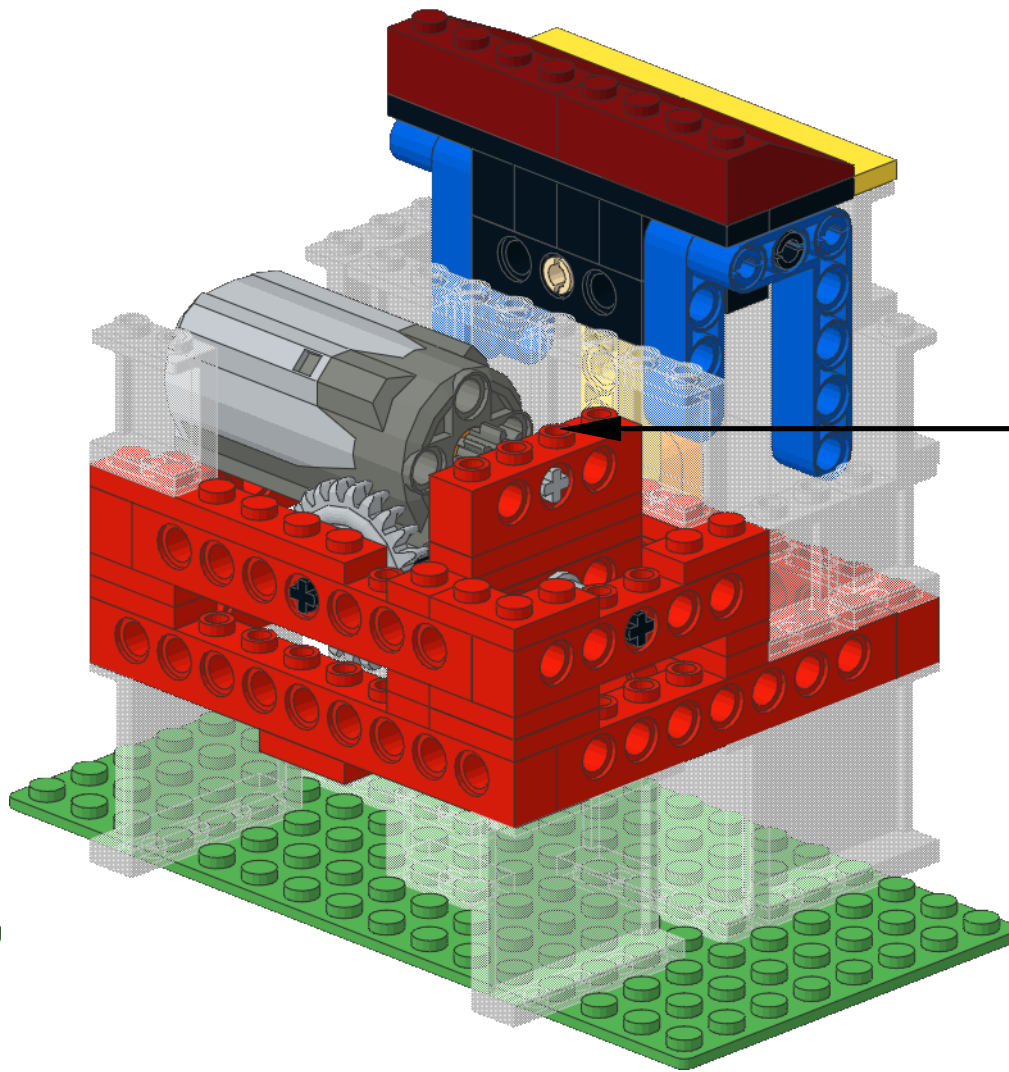
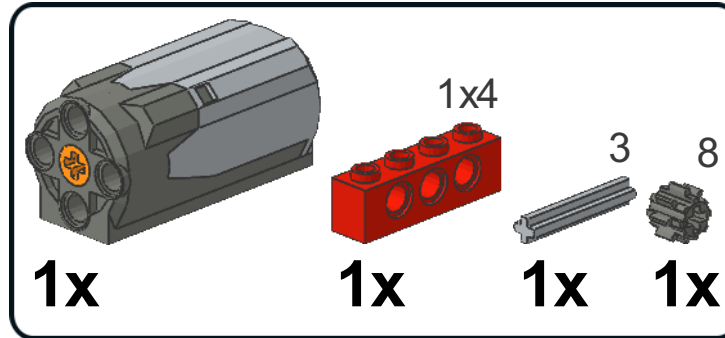




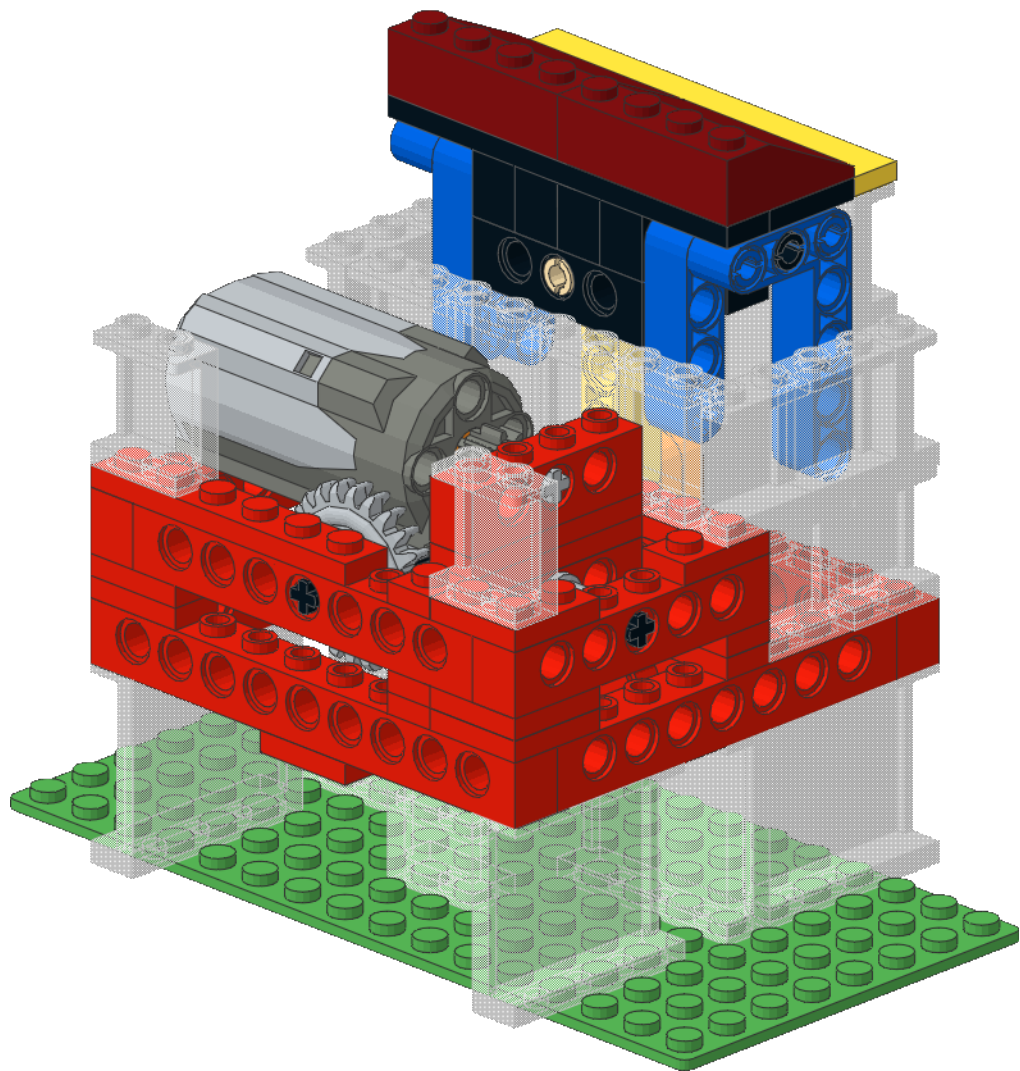
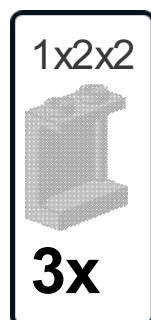
# 16



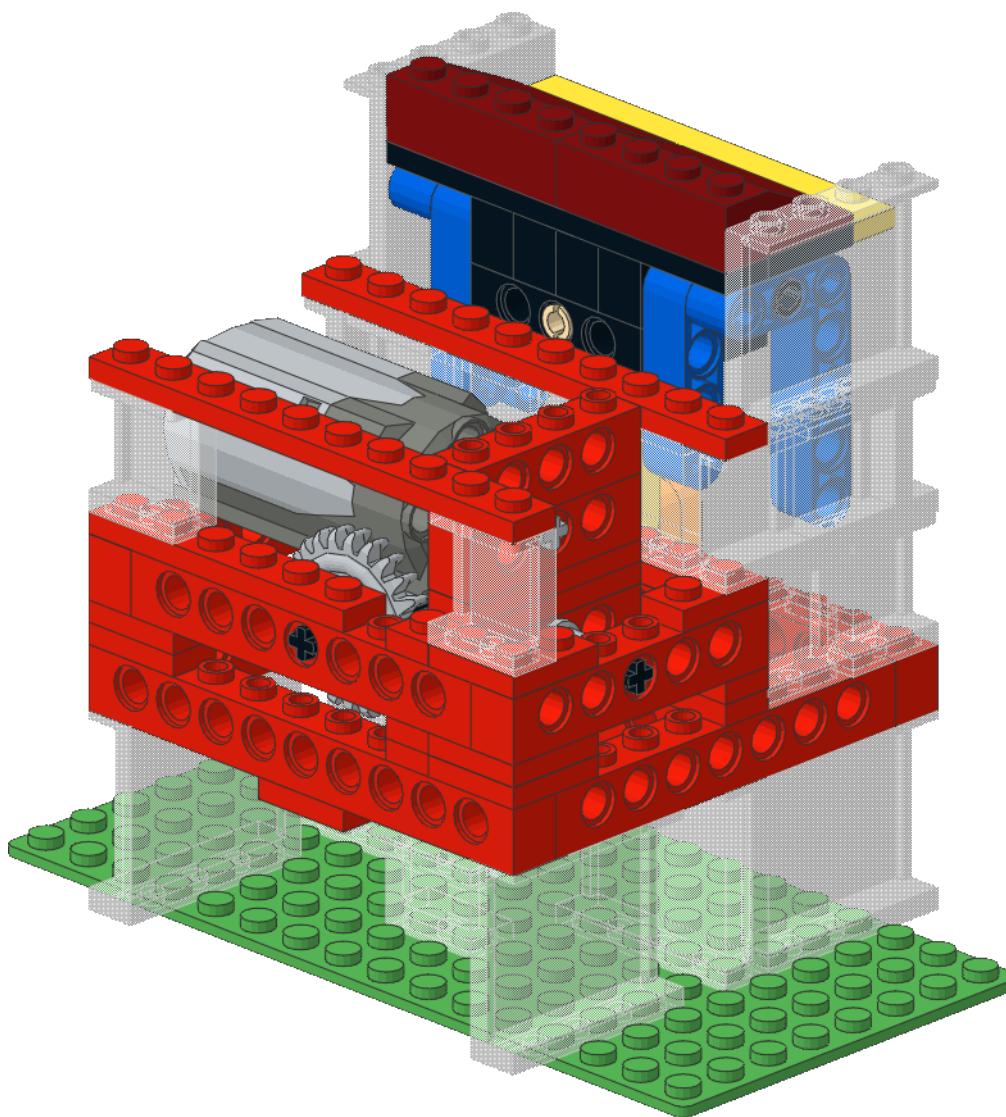
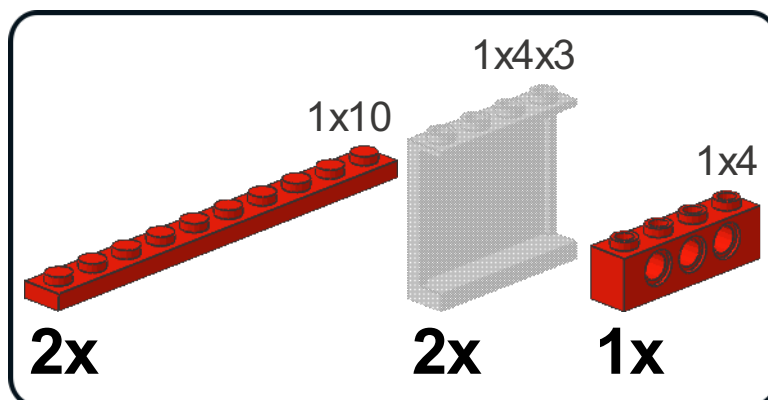
# 17



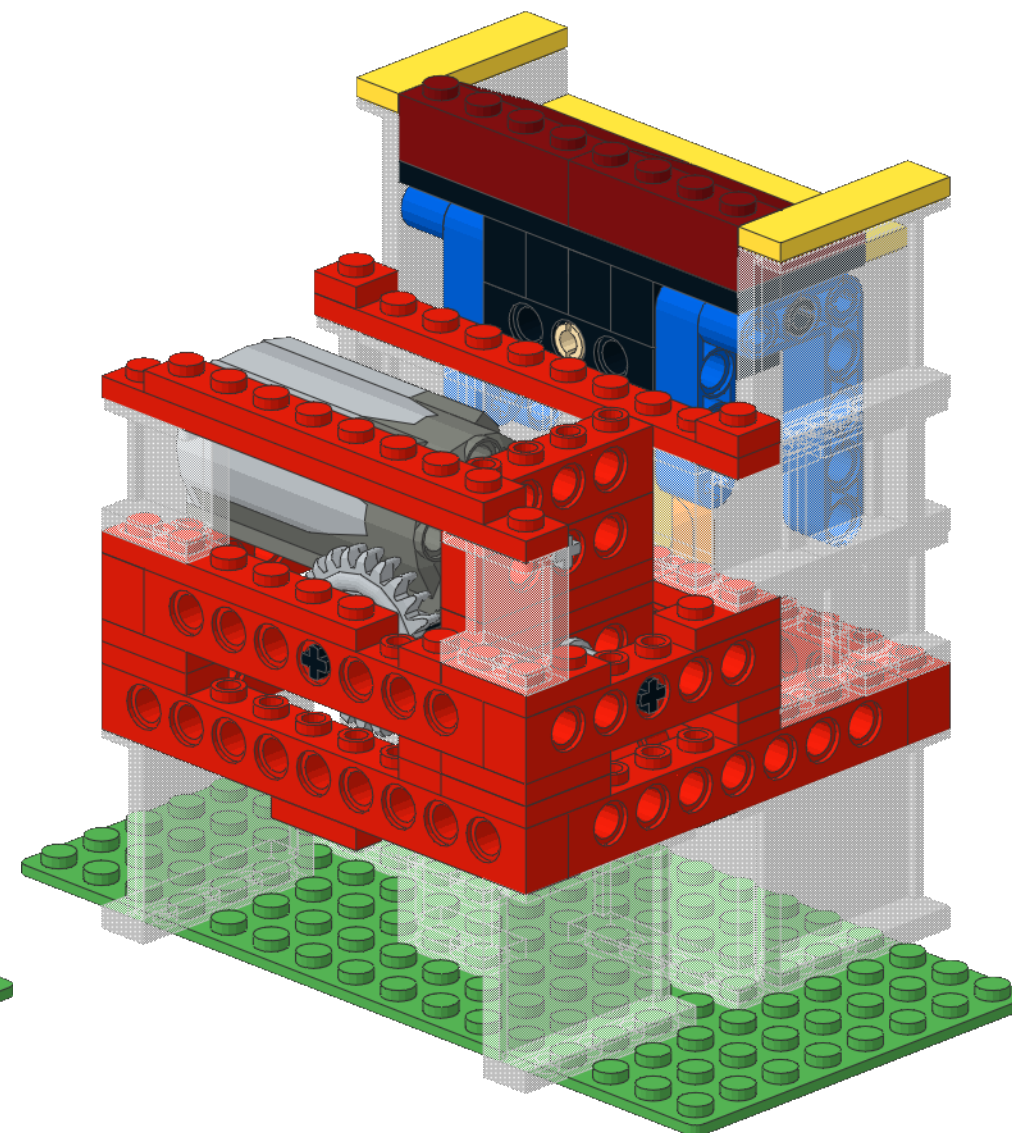
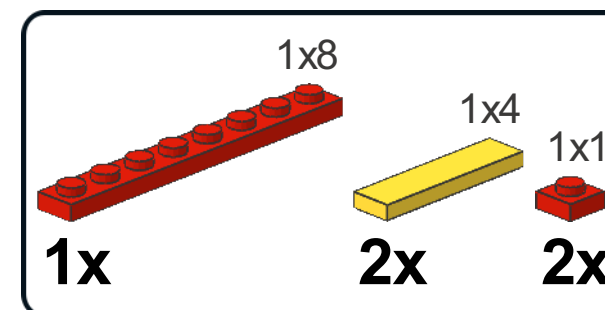
# 18



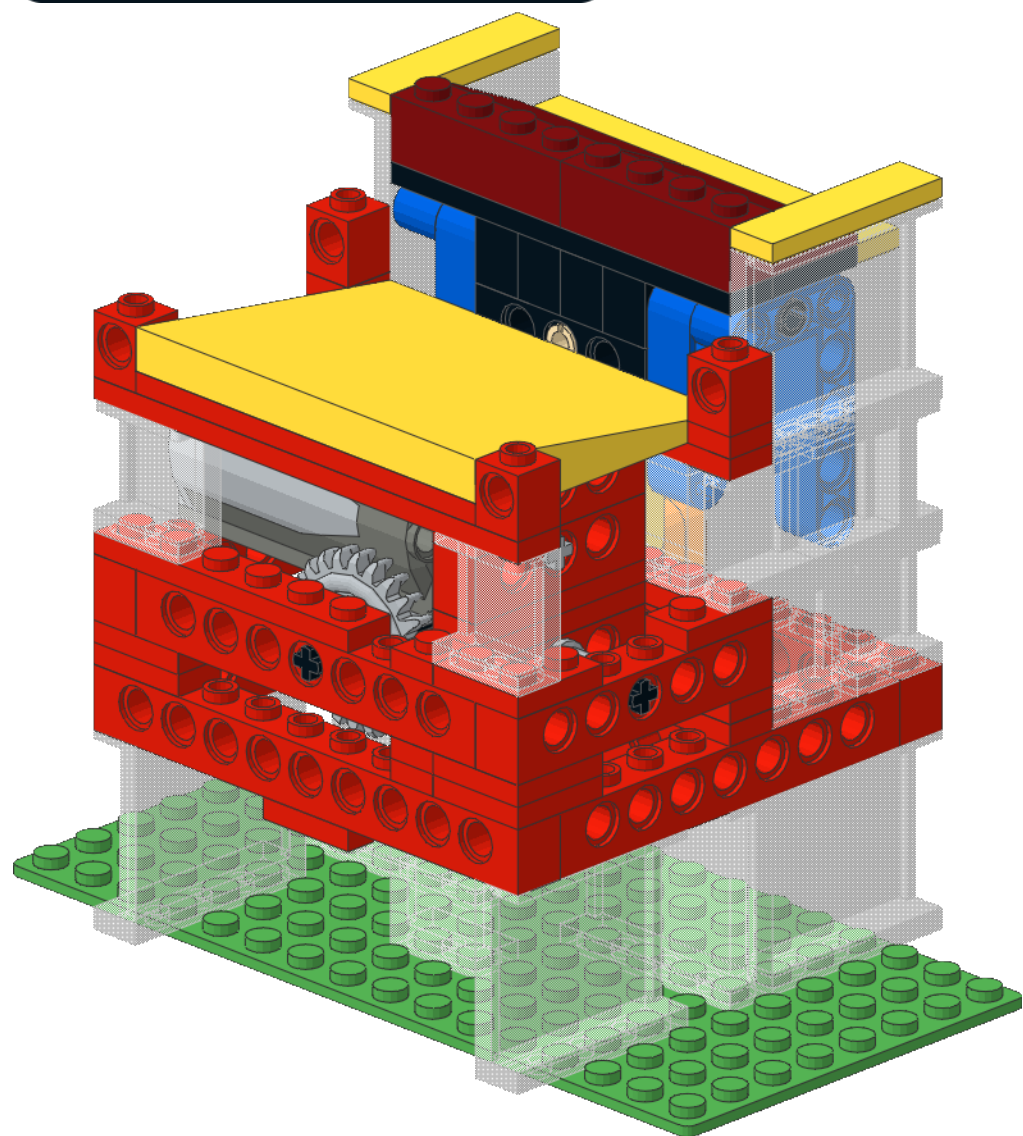
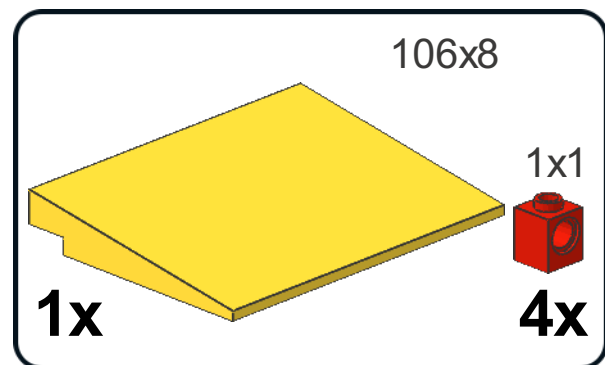
# 19



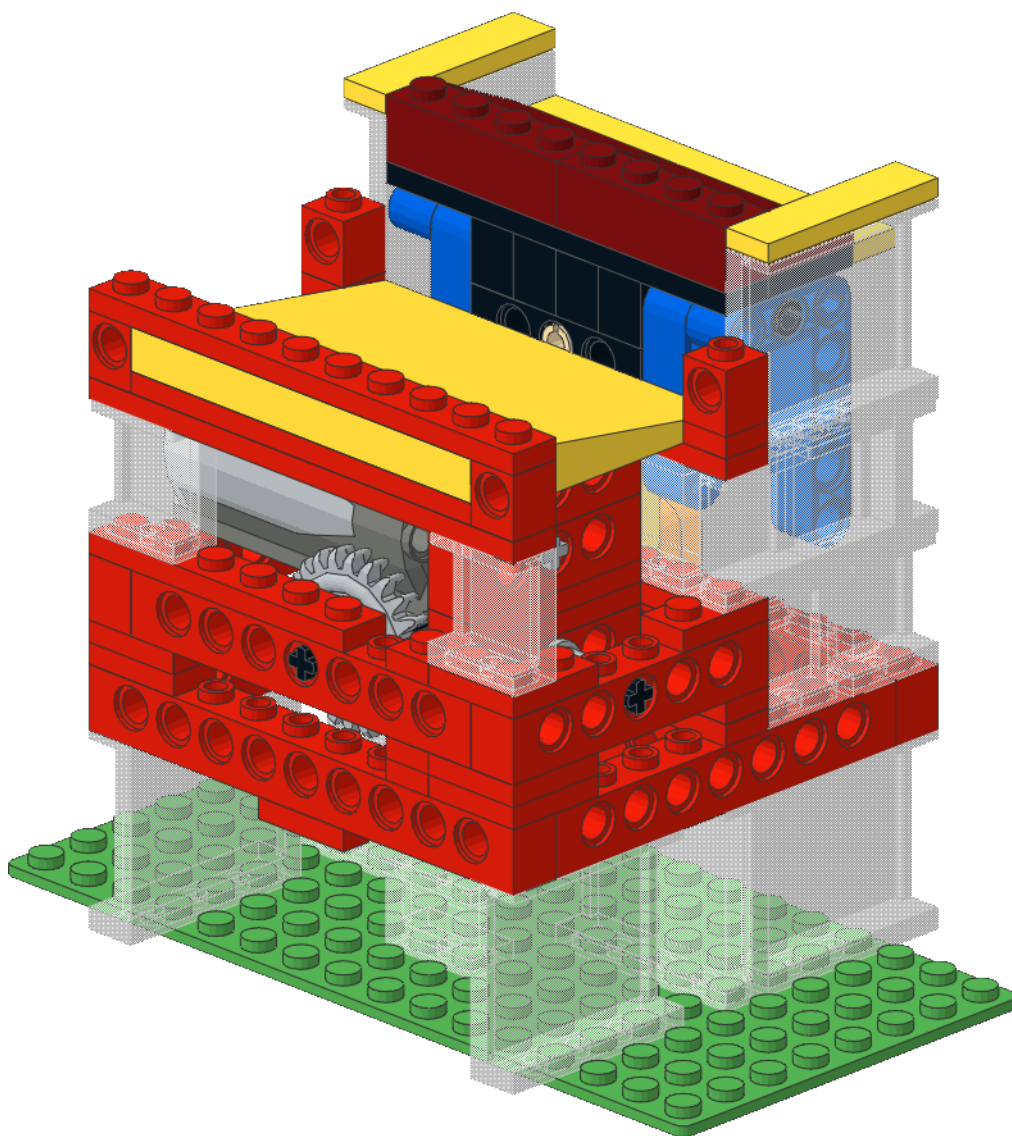
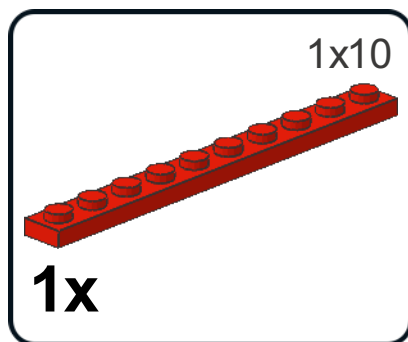
# 20



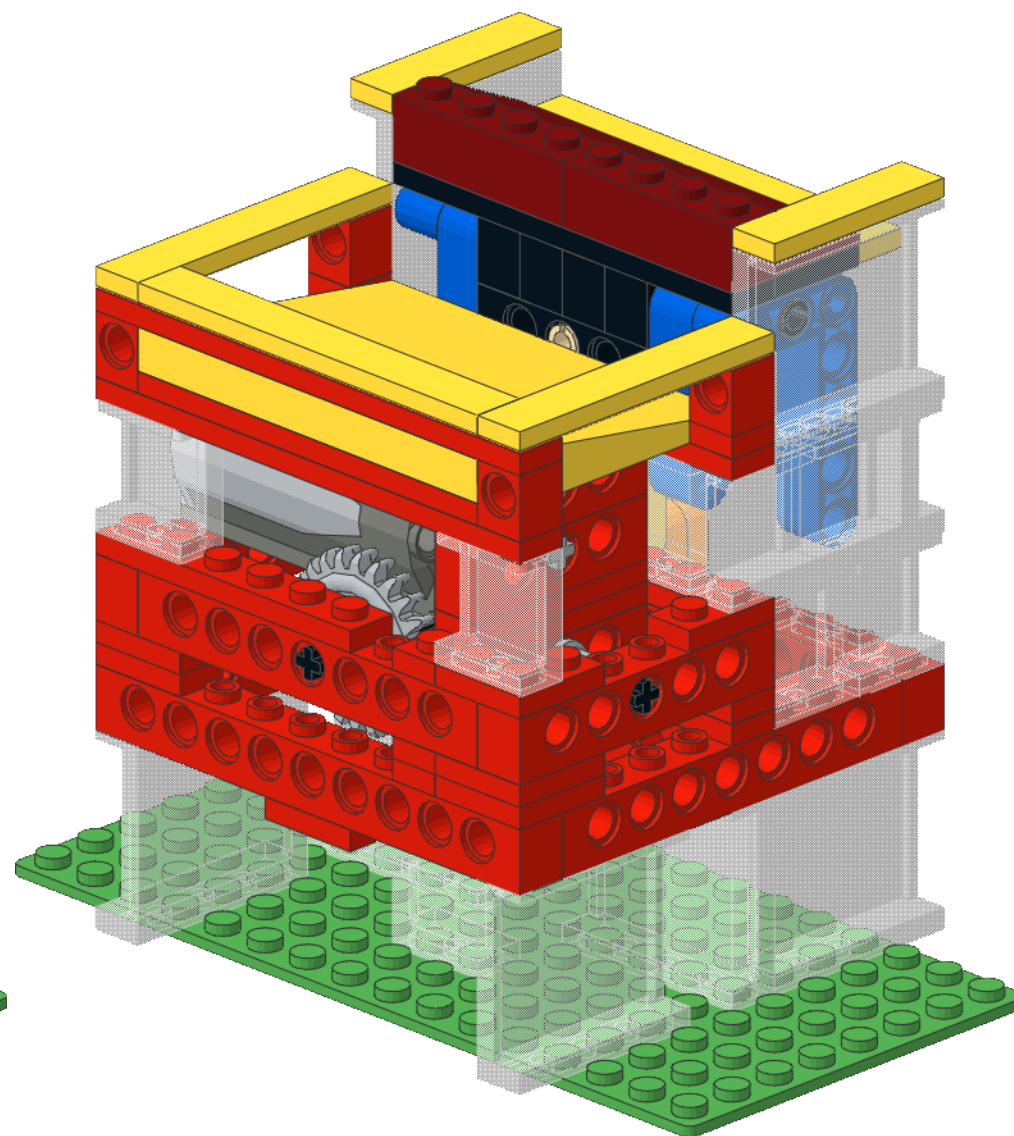
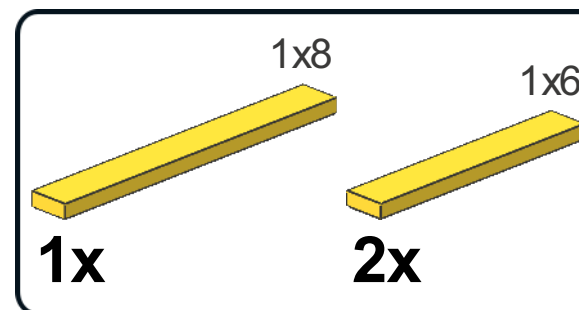
# 21



# 22



# 23



**transparante-mini**

**Model instructions by Maico Arts**

**Copyright © 2016**

**<http://www.greatballcontraption.nl>**

**[lego@t-hok.nl](mailto:lego@t-hok.nl)**

**LEGO® is a registered trademark of the LEGO Group,  
which does not sponsor, endorse, or authorize these  
instructions or the model they depict.**

**Instructions configured and generated using LPub3D 1.3.5.615.2  
Download LPub3D at <http://sourceforge.net/projects/lpub3d/>**

