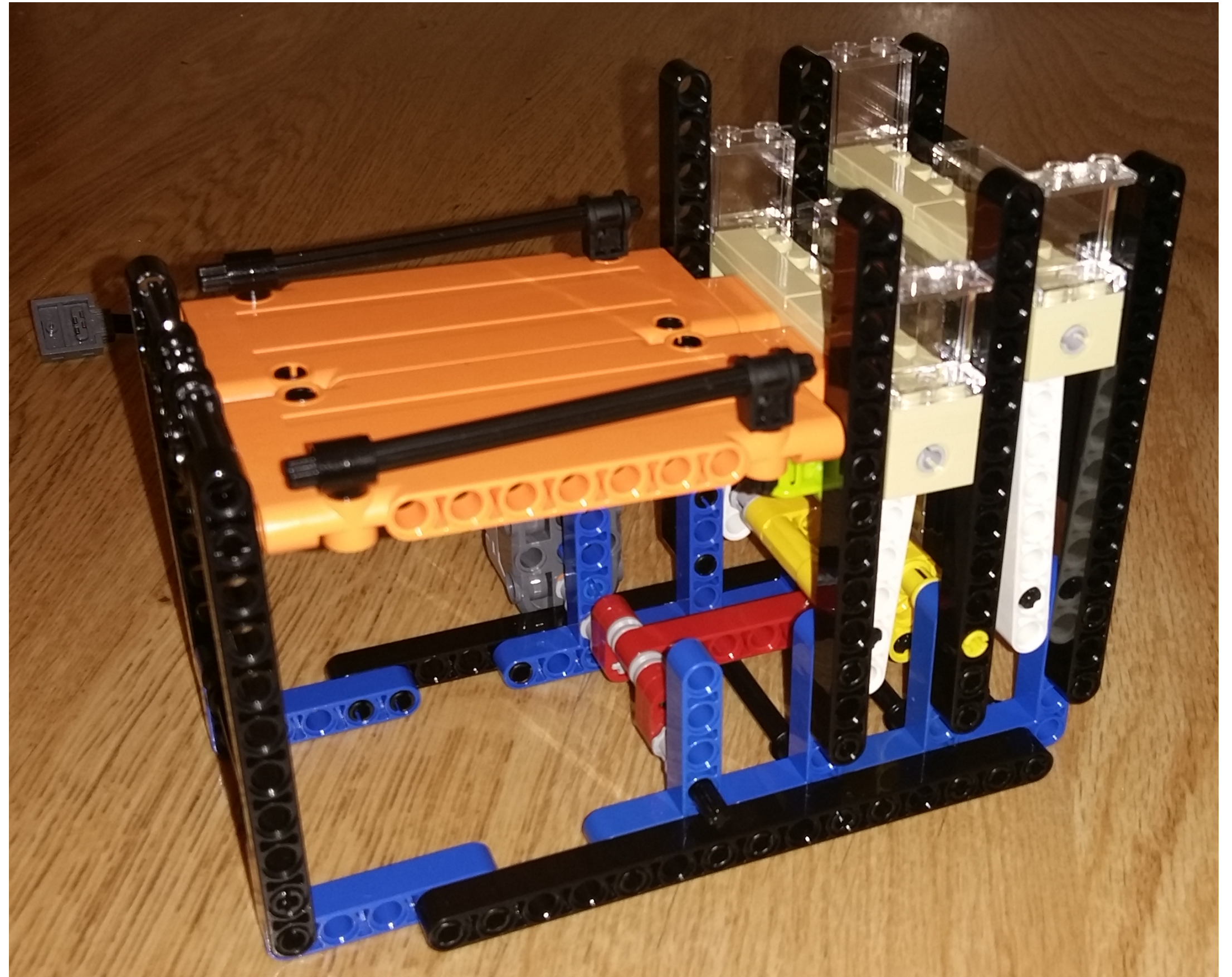
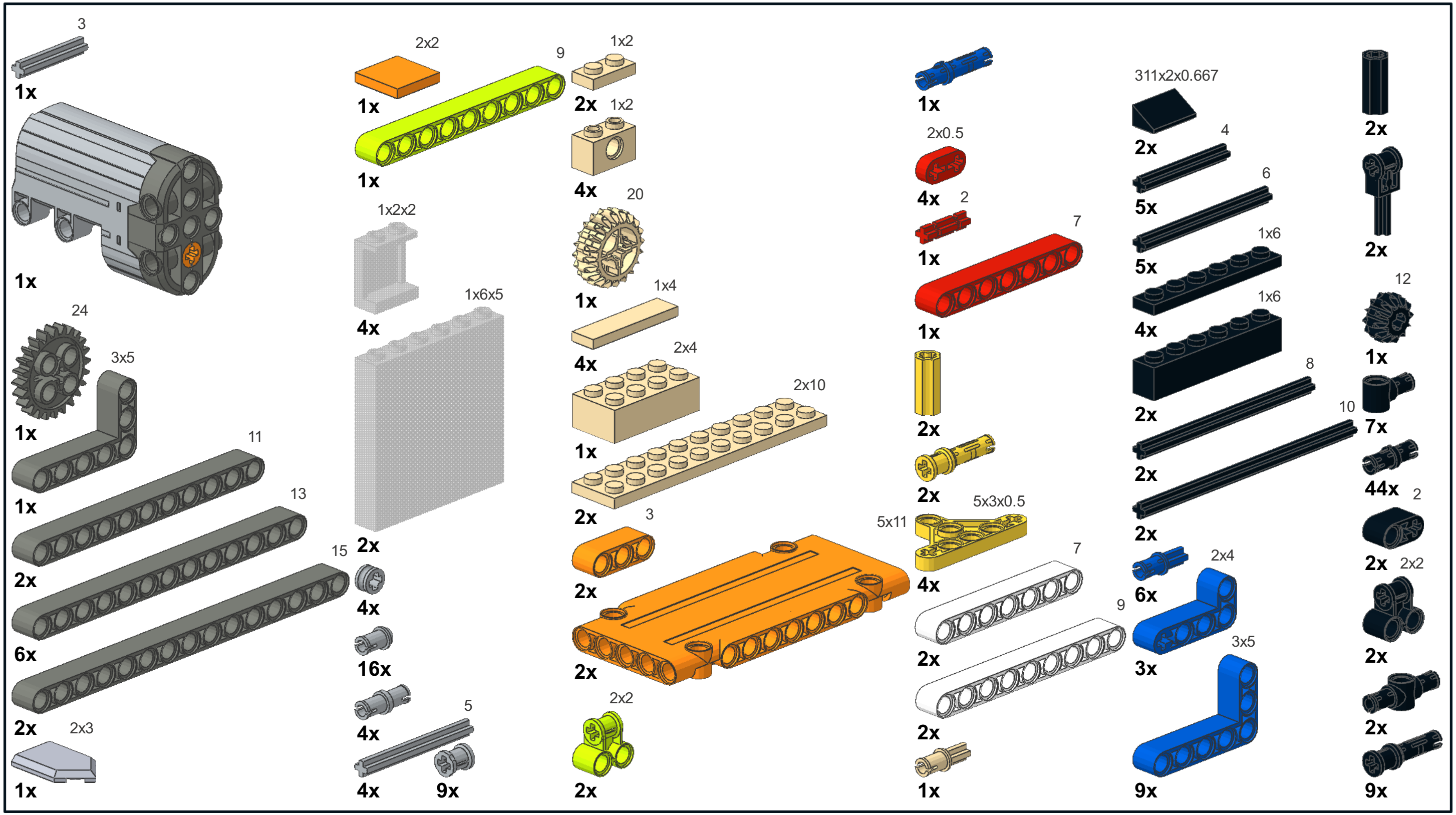


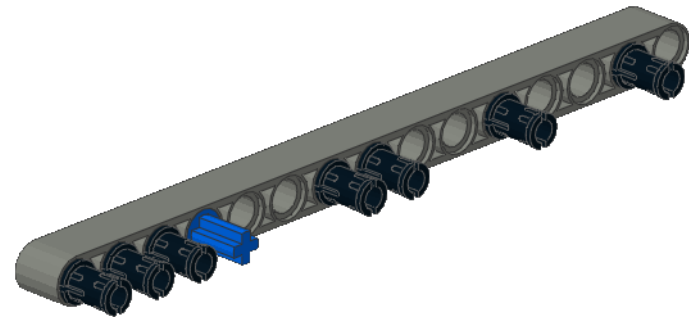
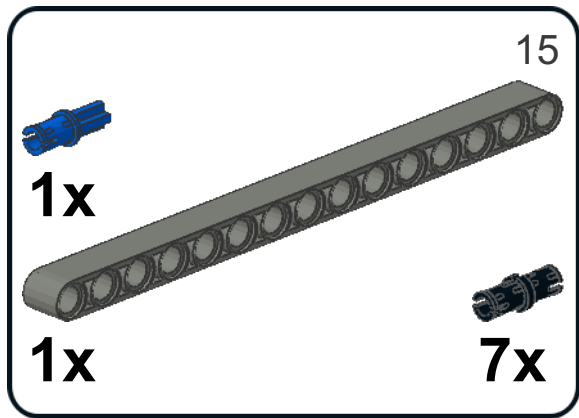
servo-duo-lift

Model instructions by Maico Arts

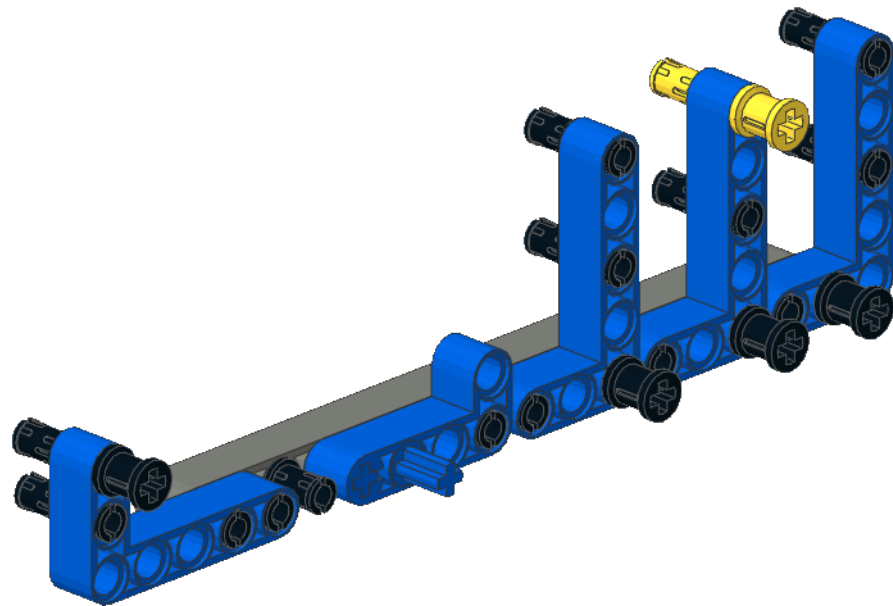
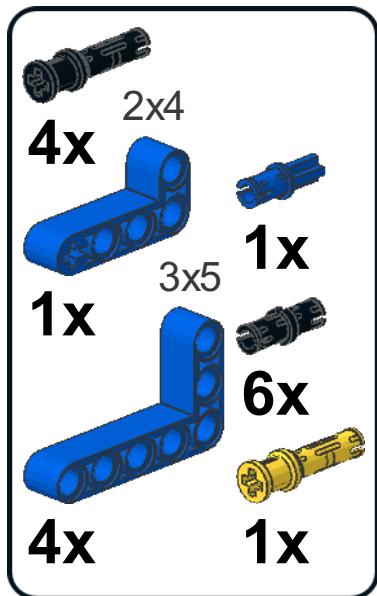




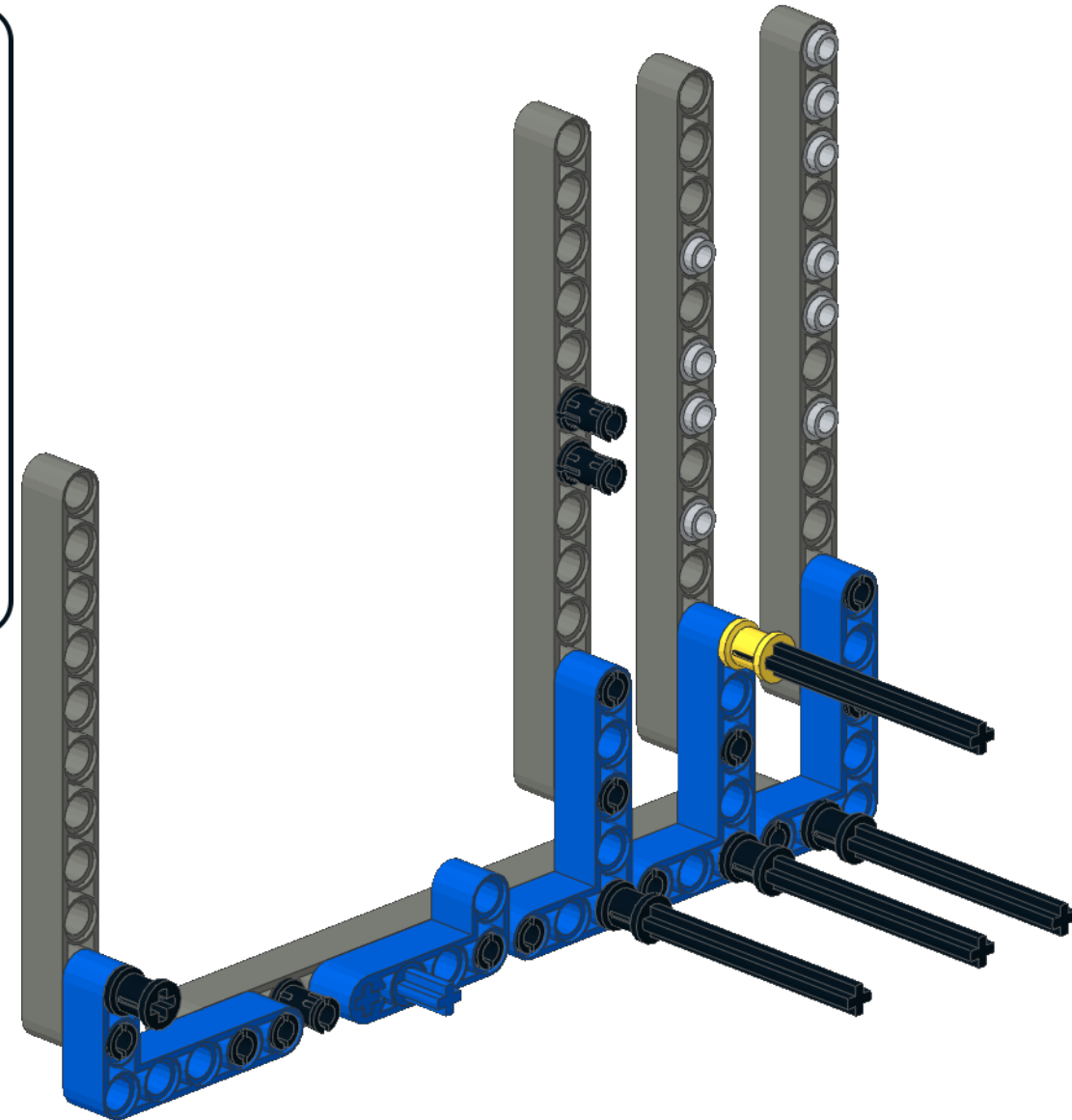
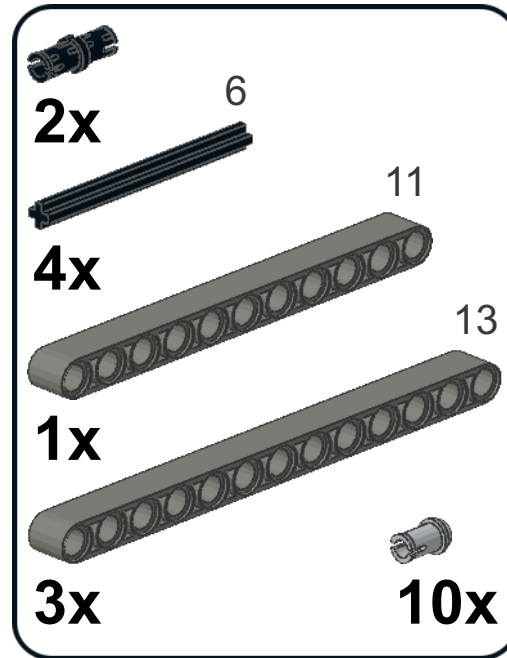
1



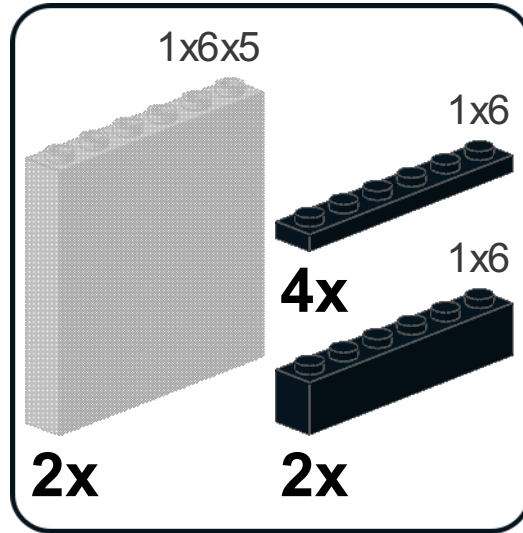
2



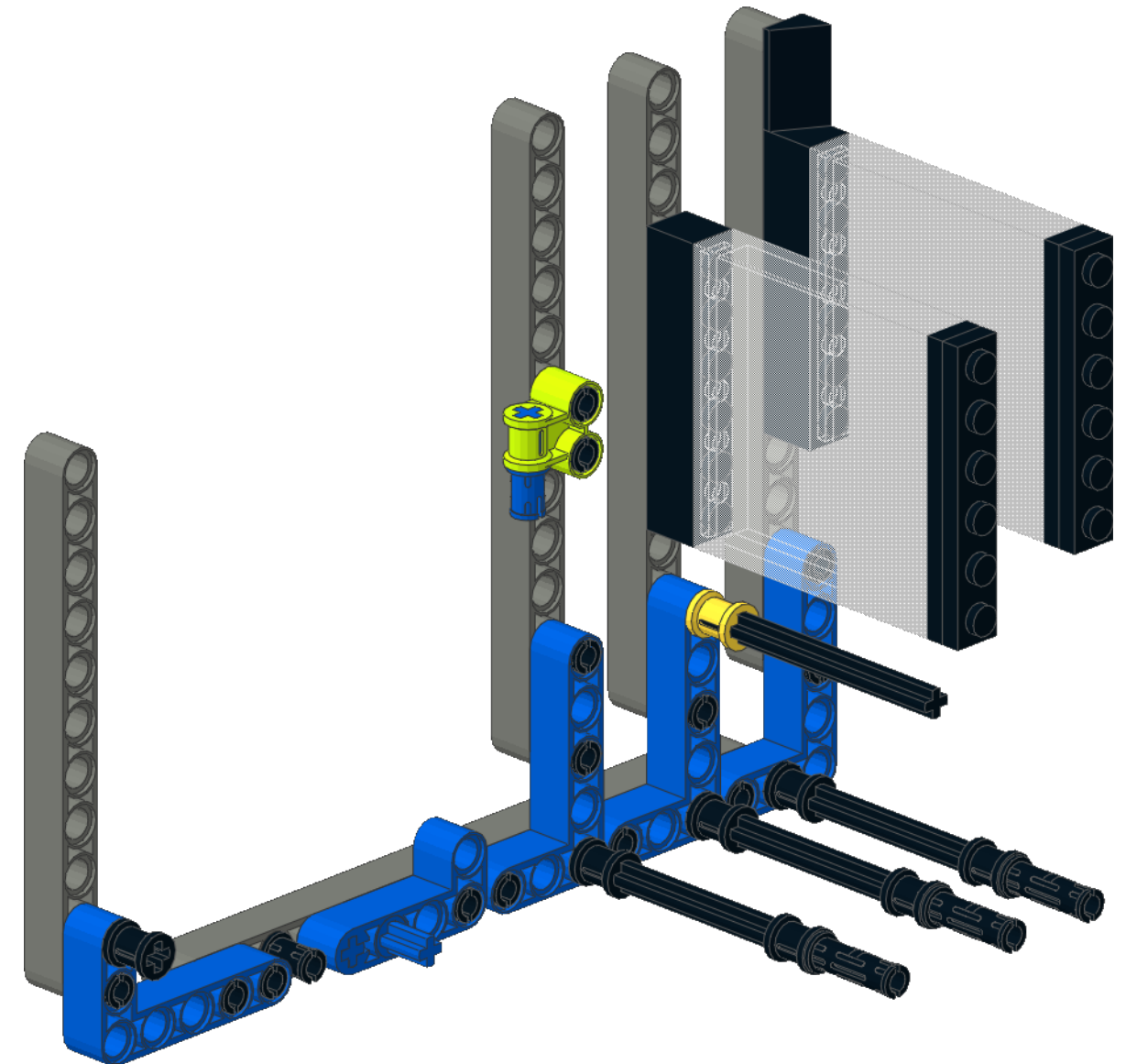
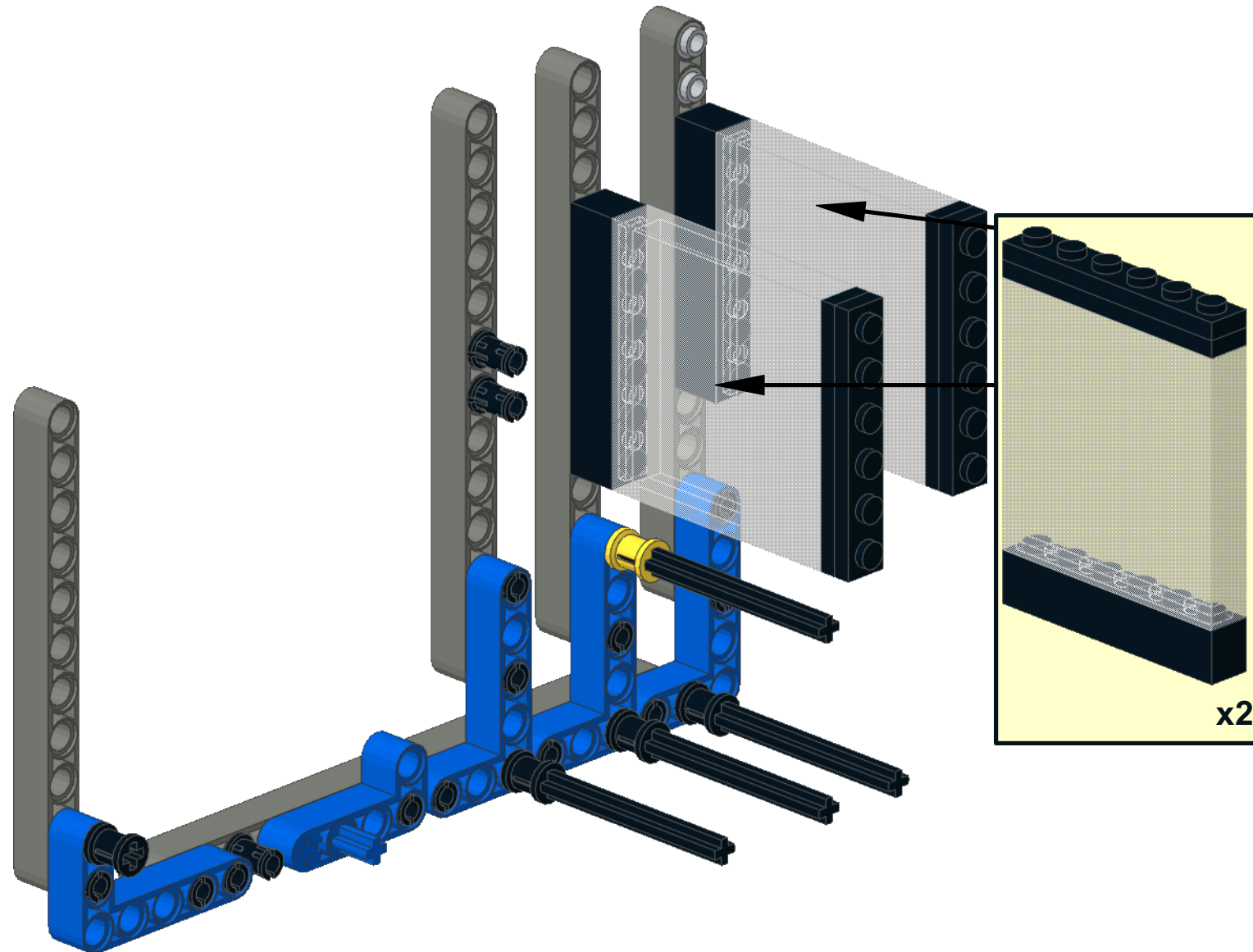
3

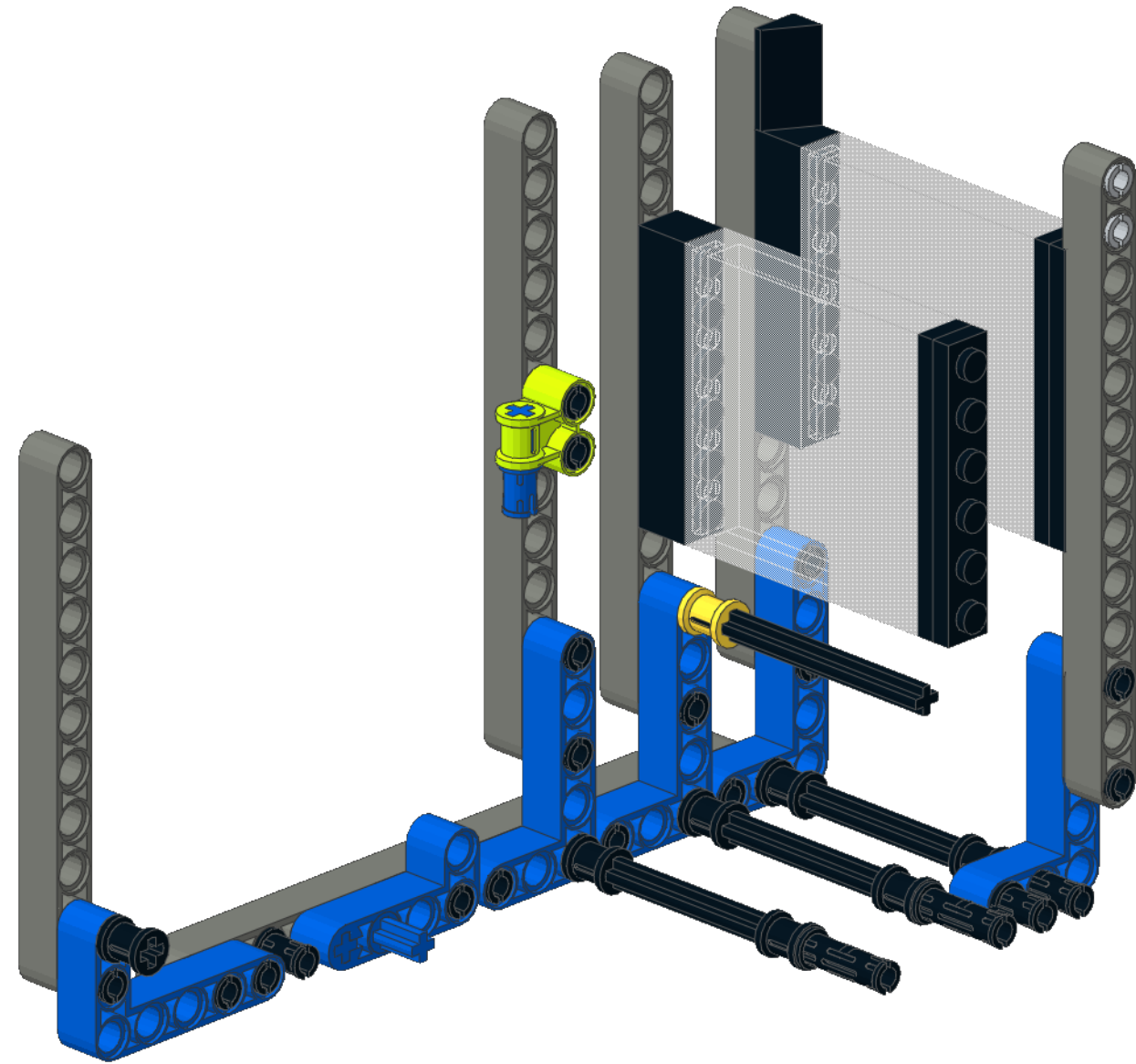
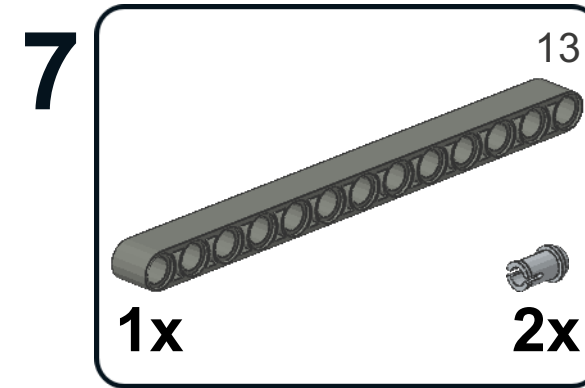
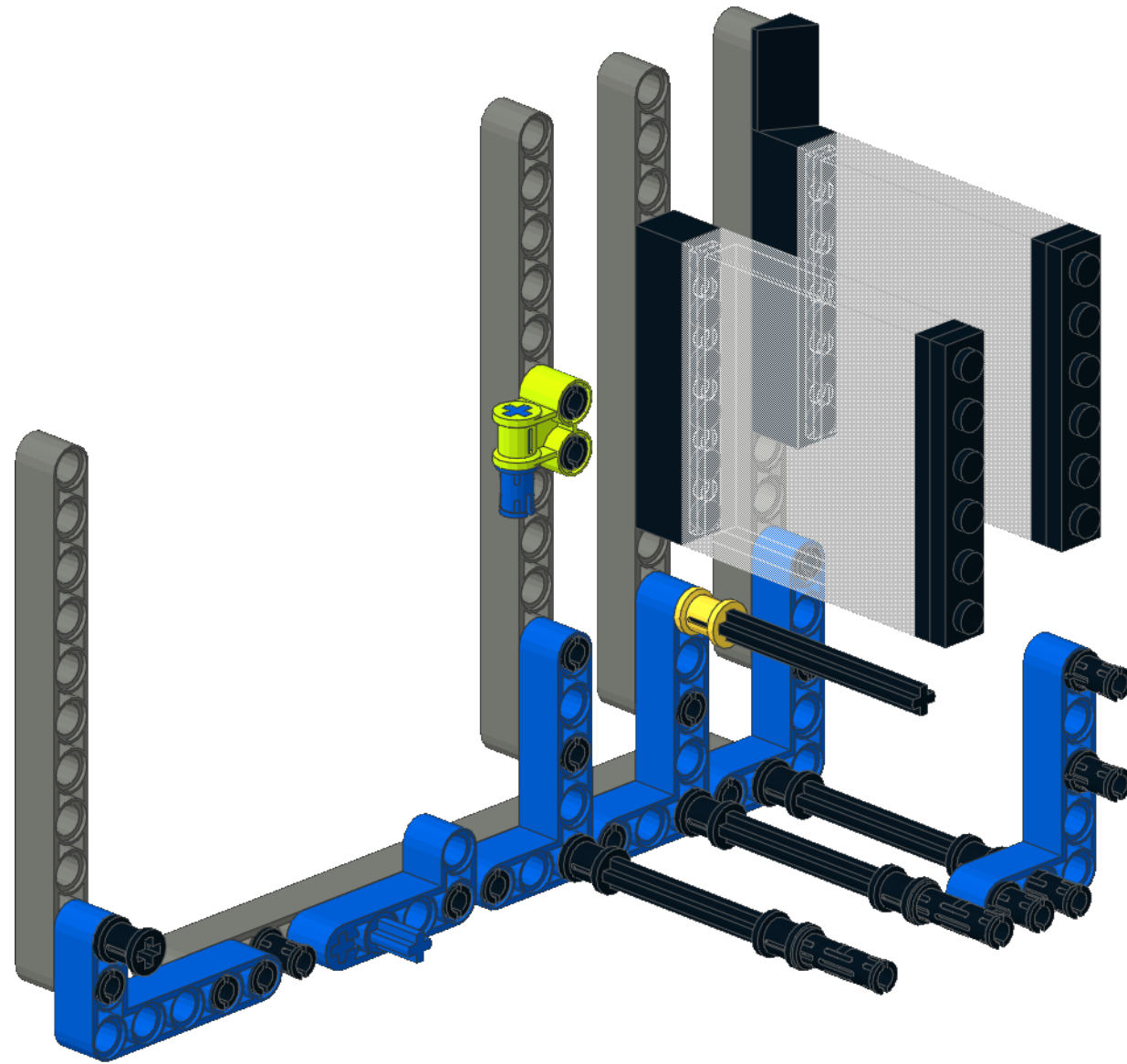
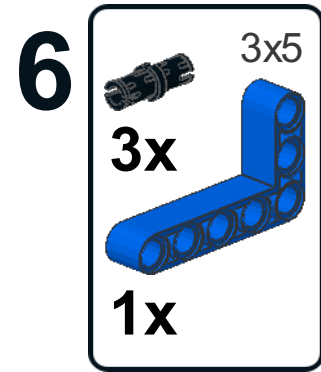


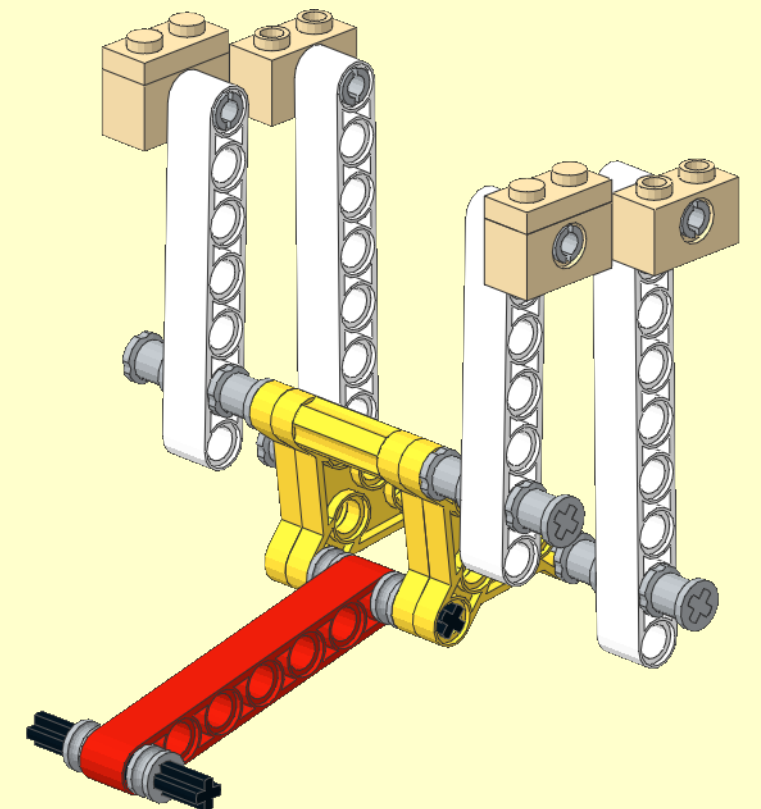
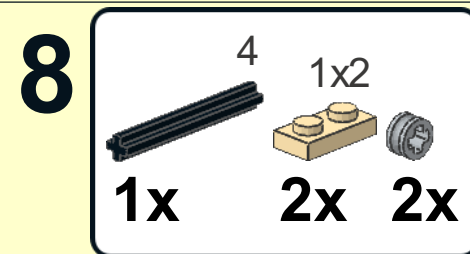
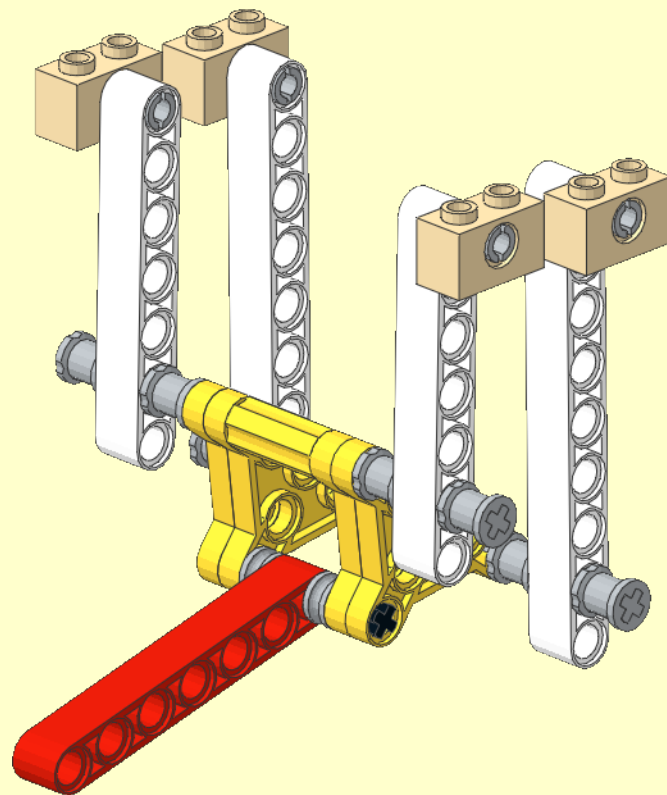
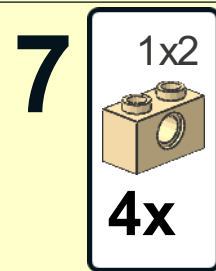
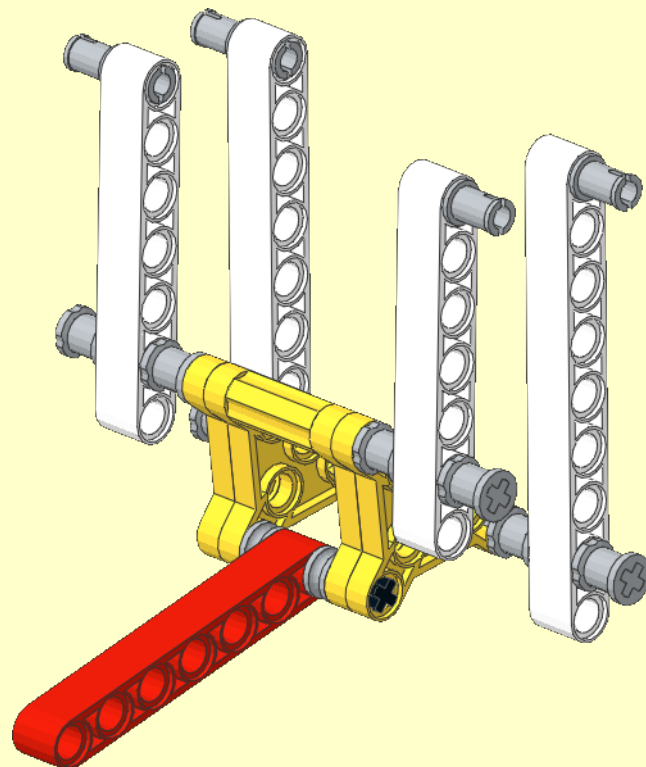
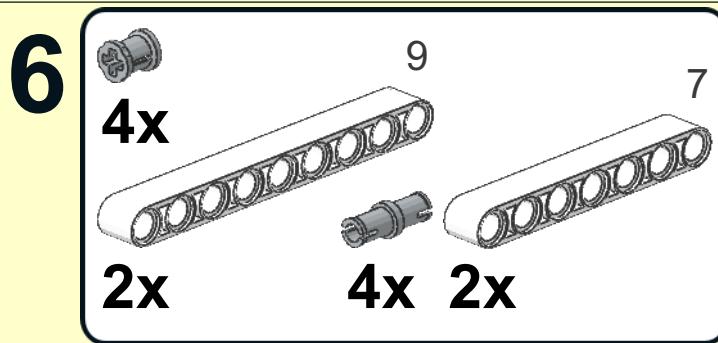
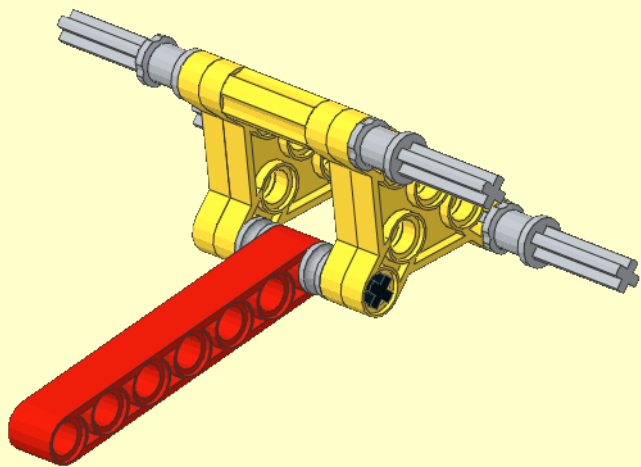
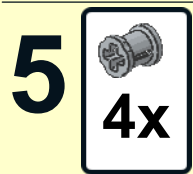
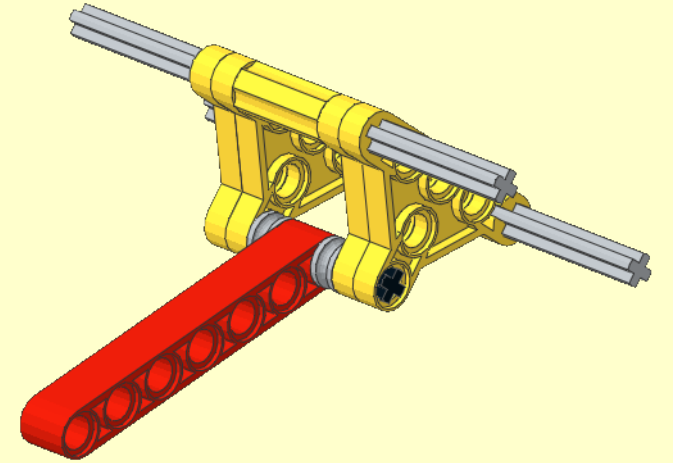
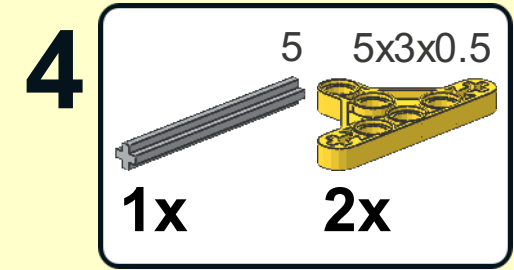
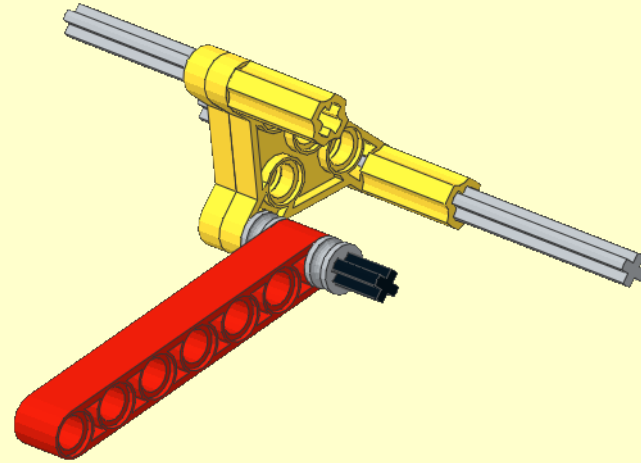
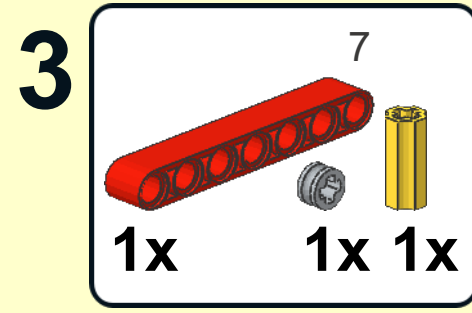
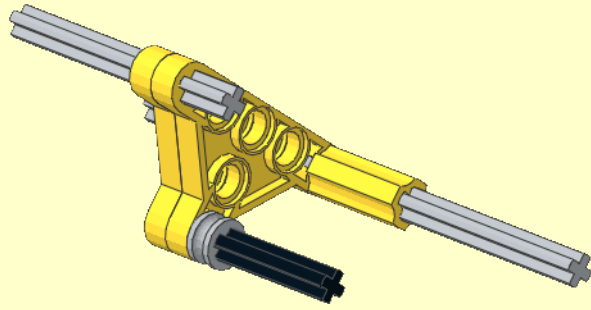
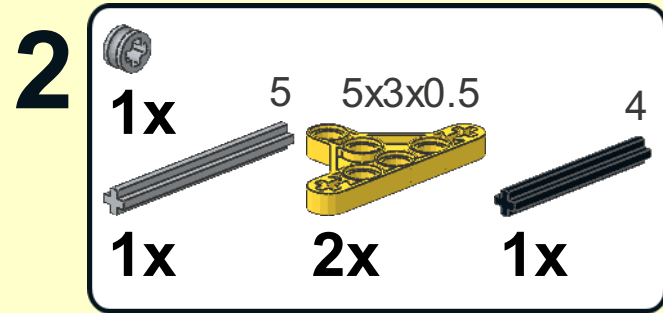
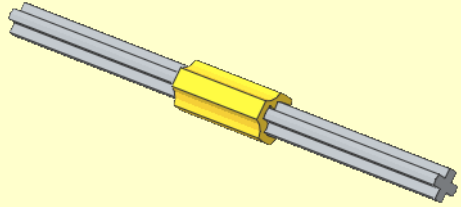
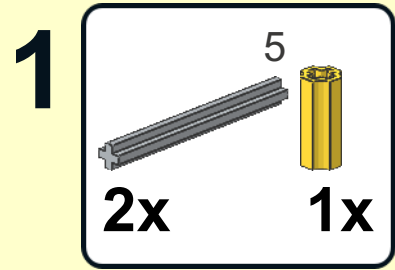
4



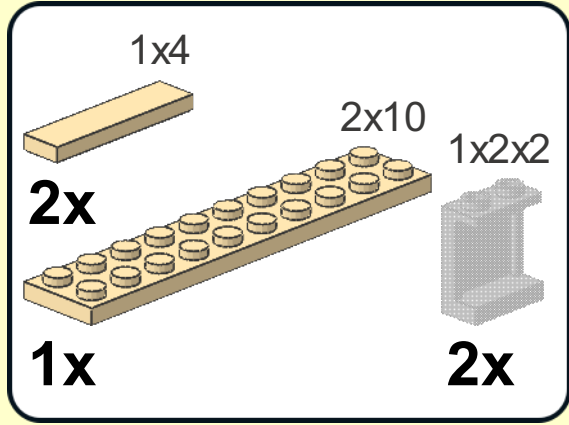
5



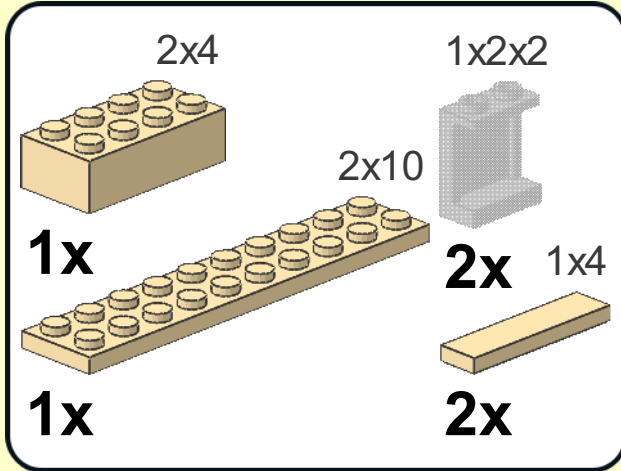




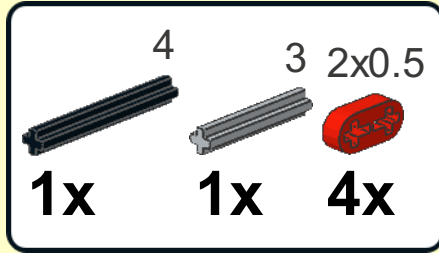
9



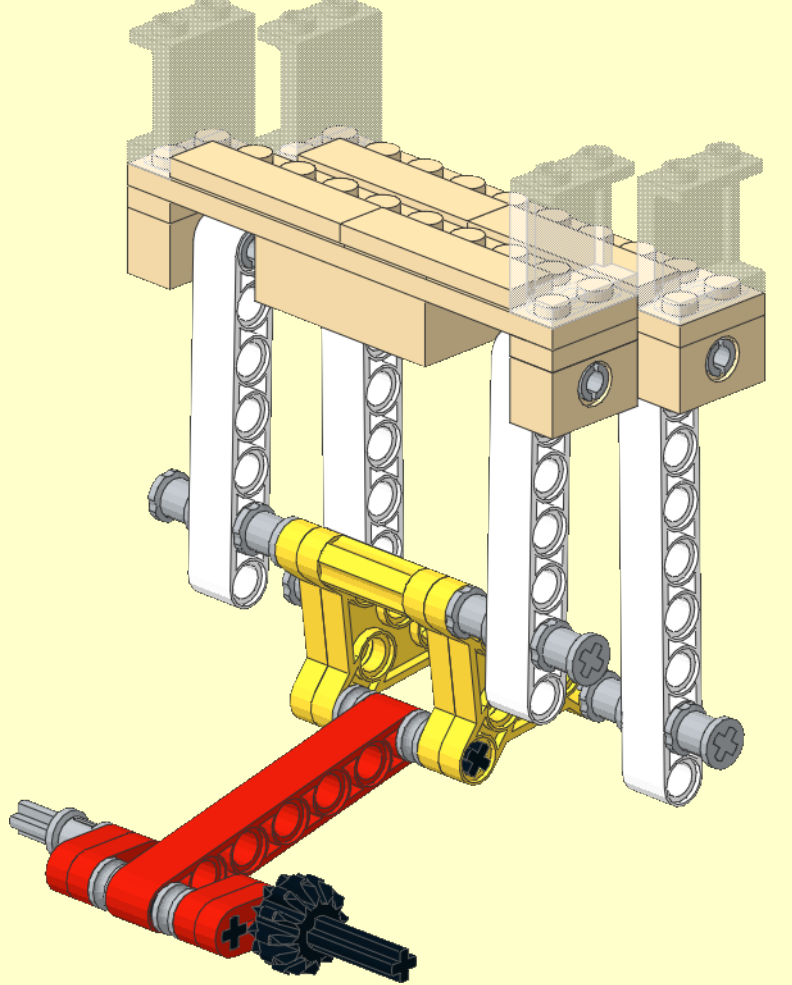
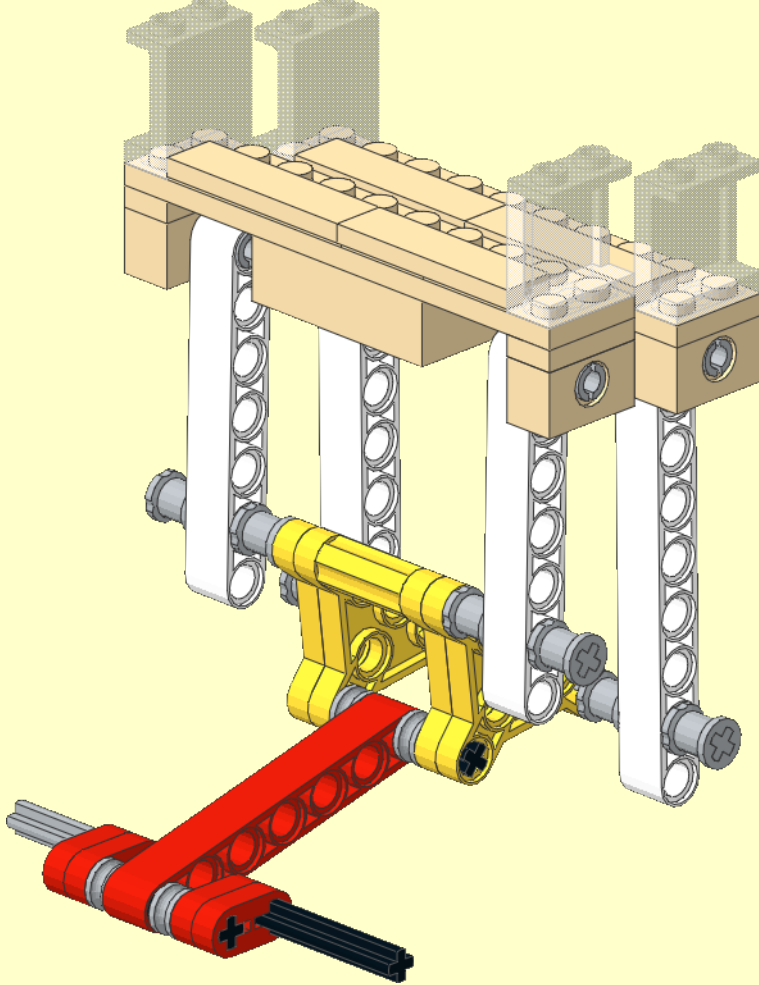
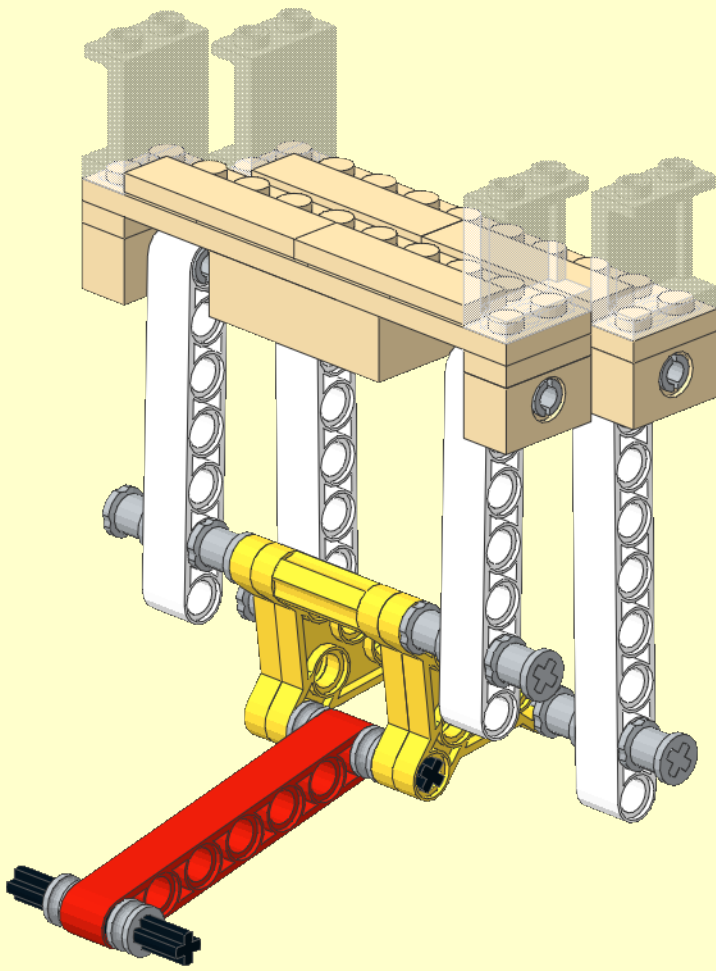
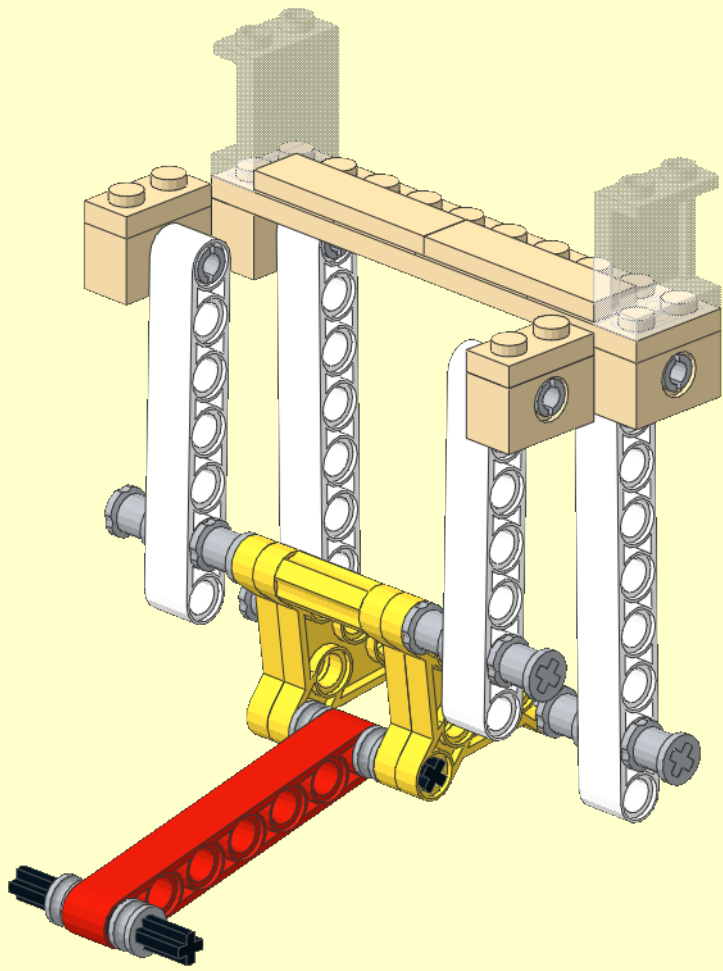
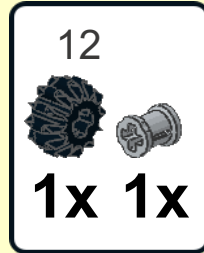
10



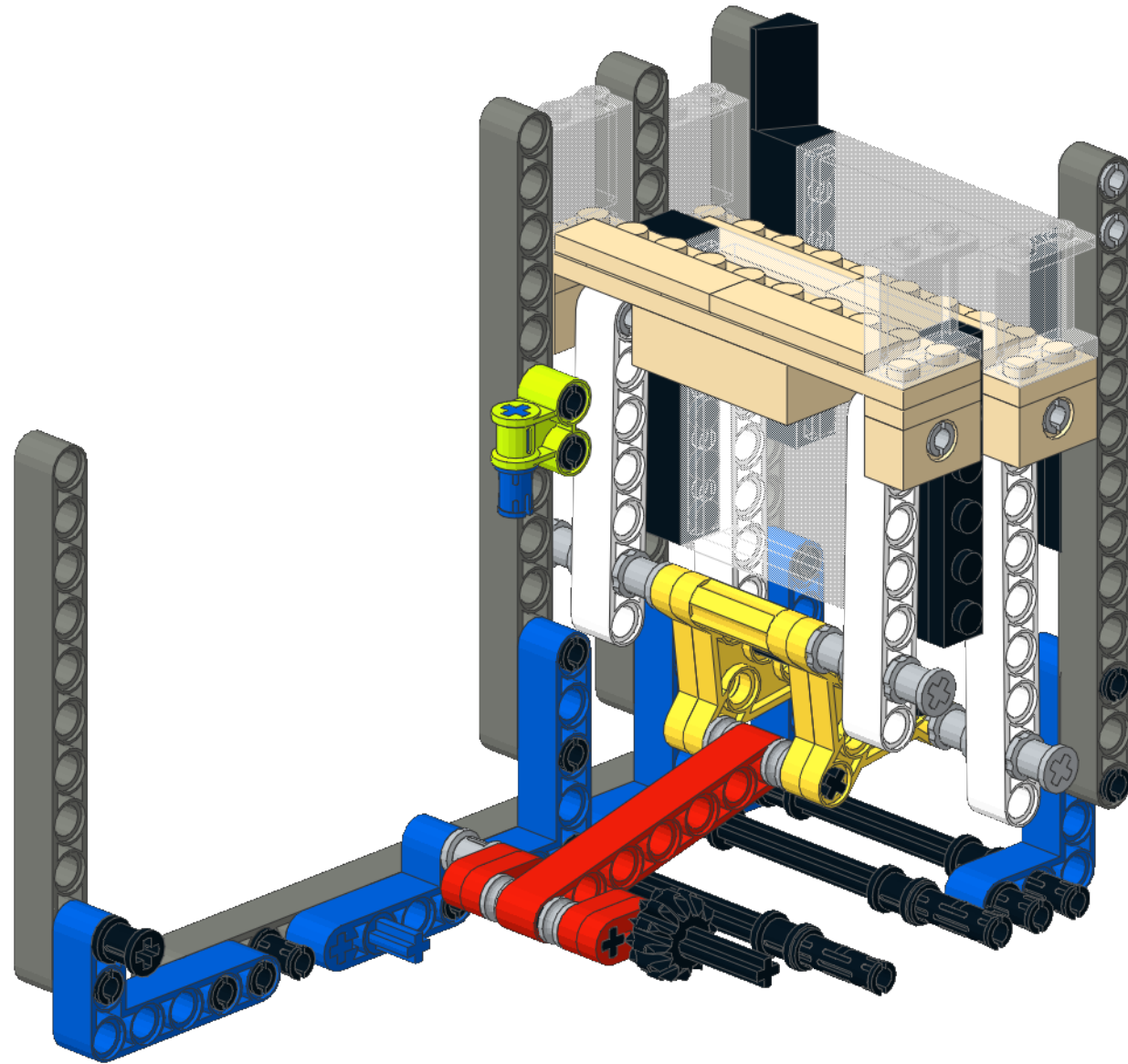
11



12





8

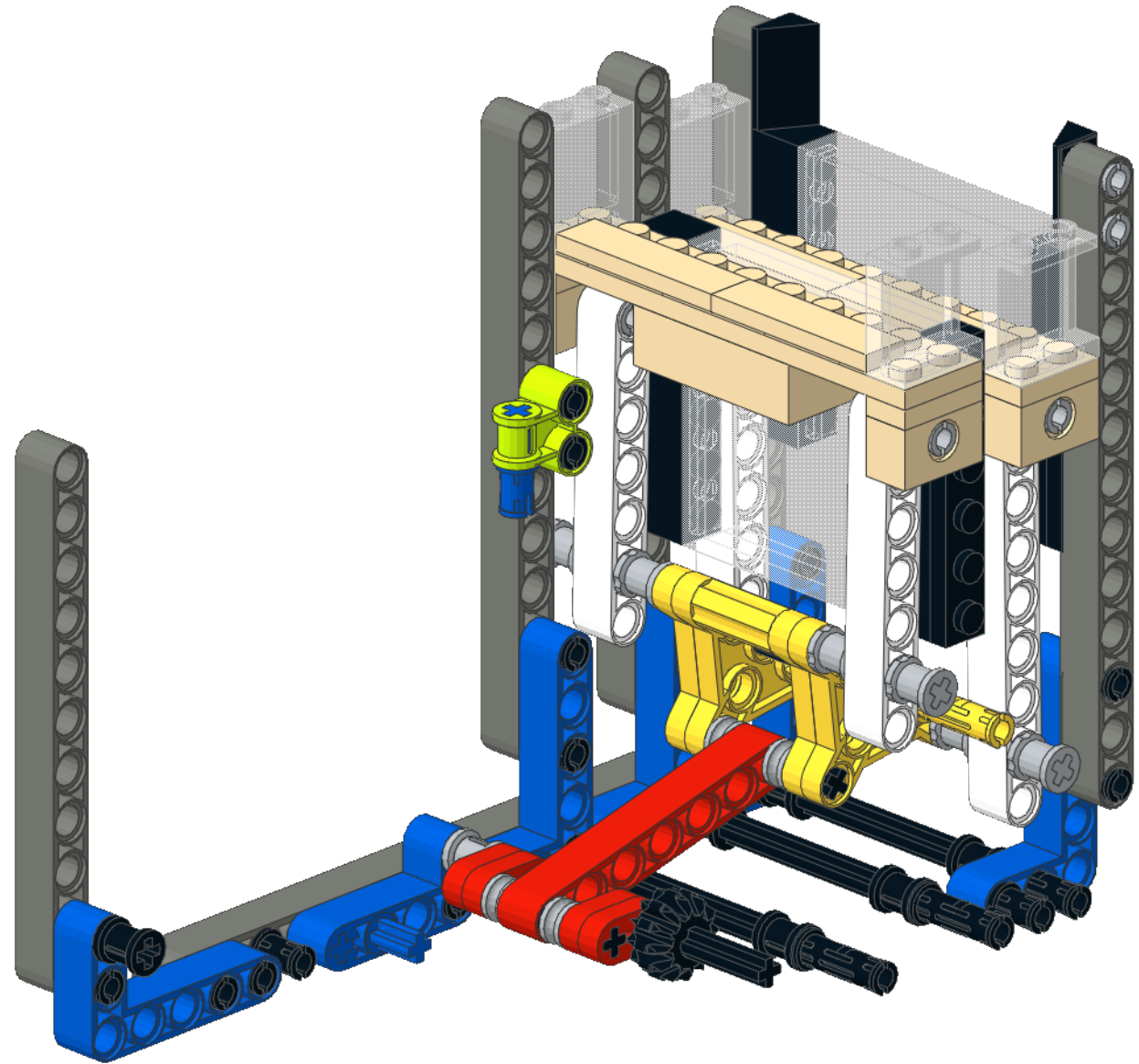


9

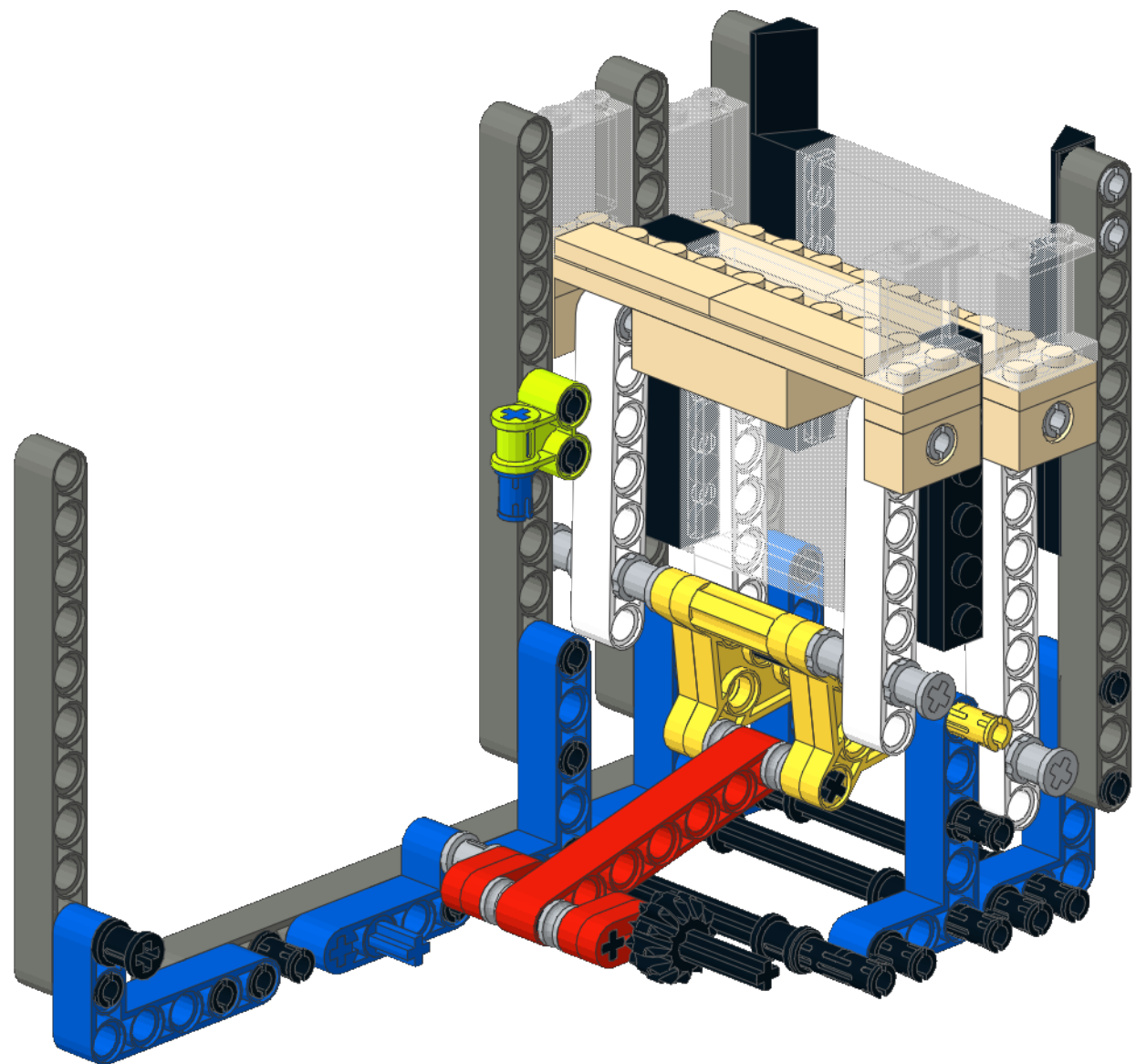
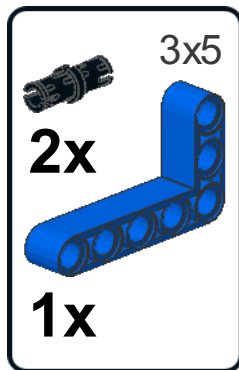
311x2x0.667



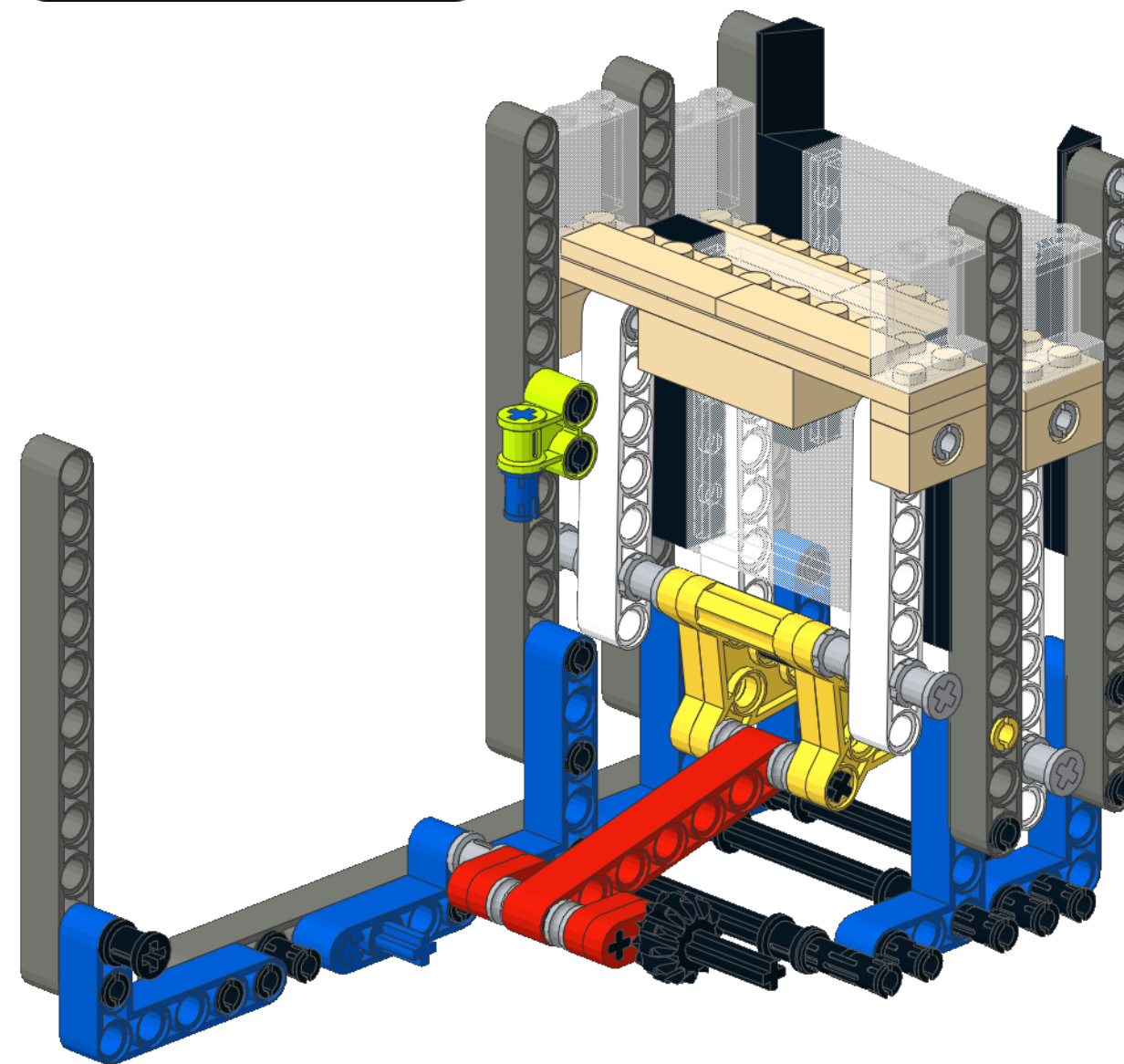
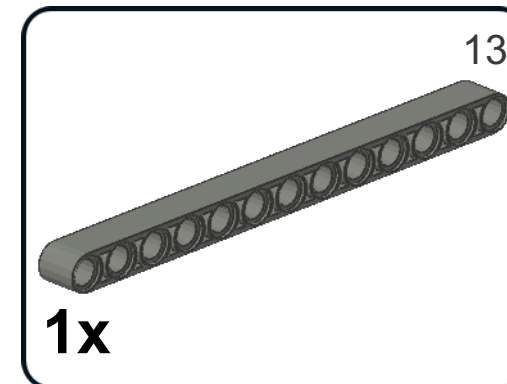
1x 1x



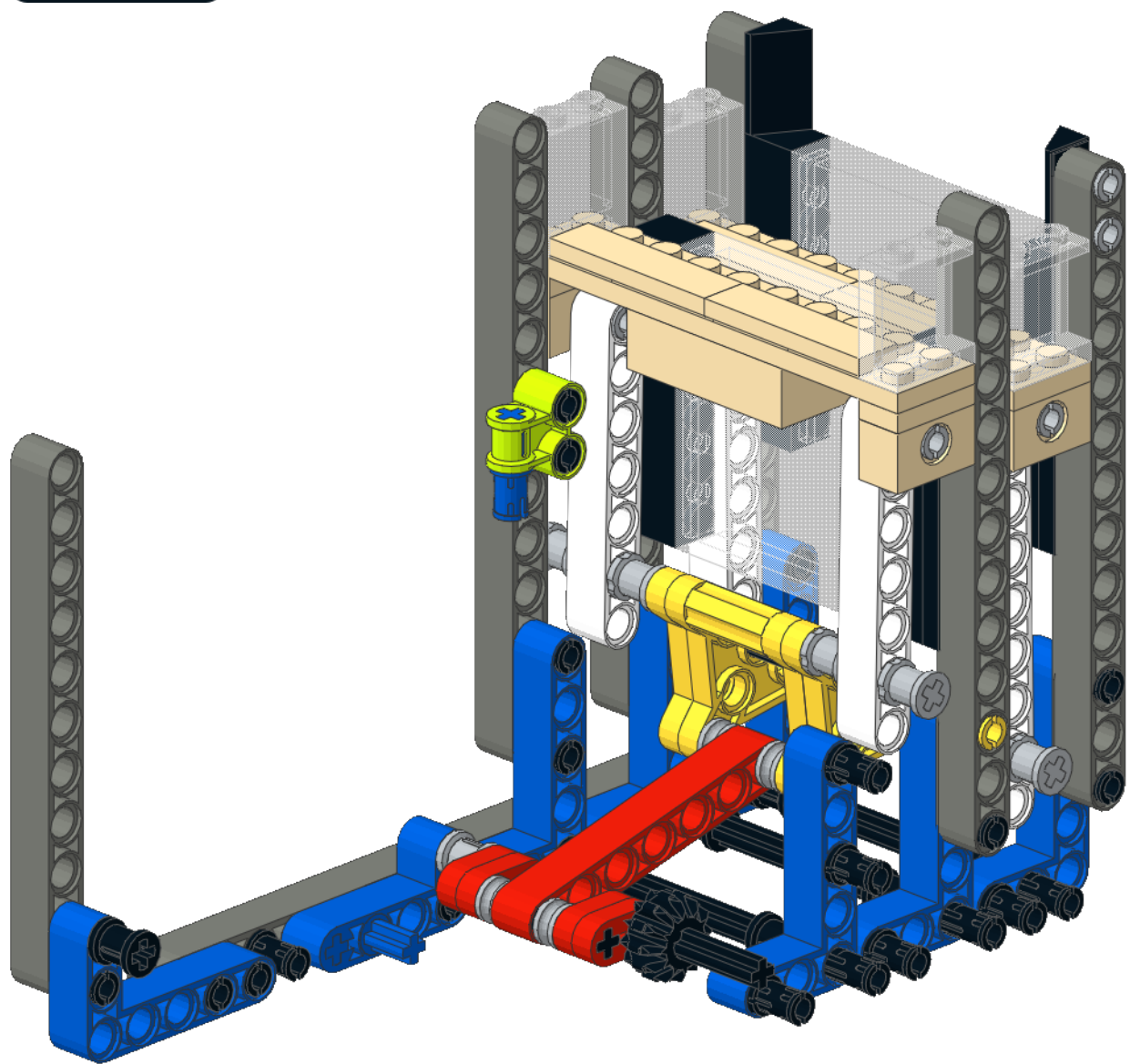
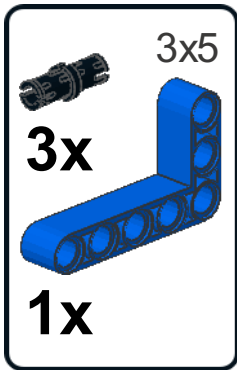
10



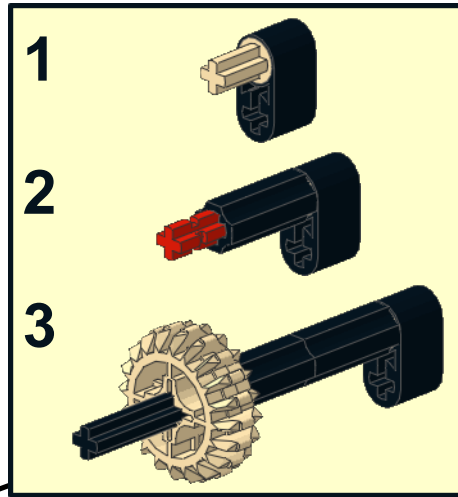
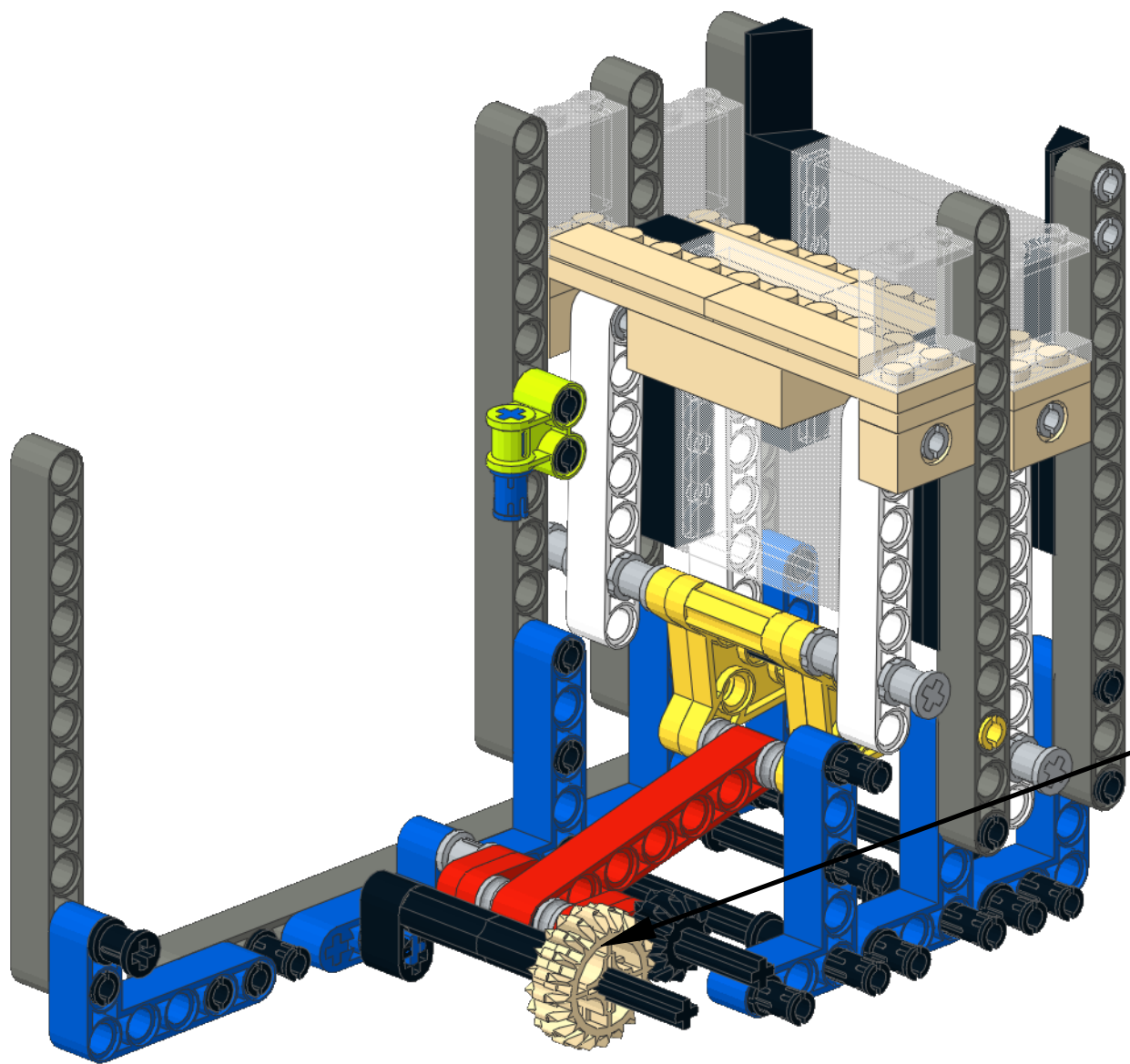
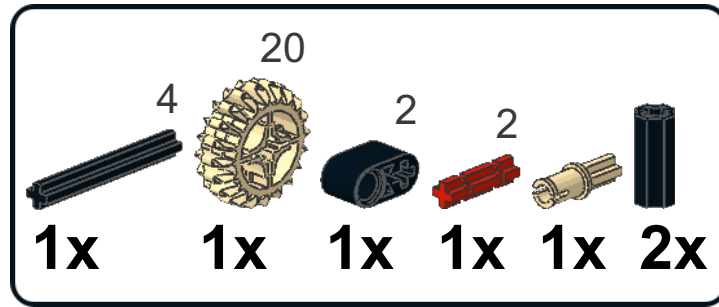
11



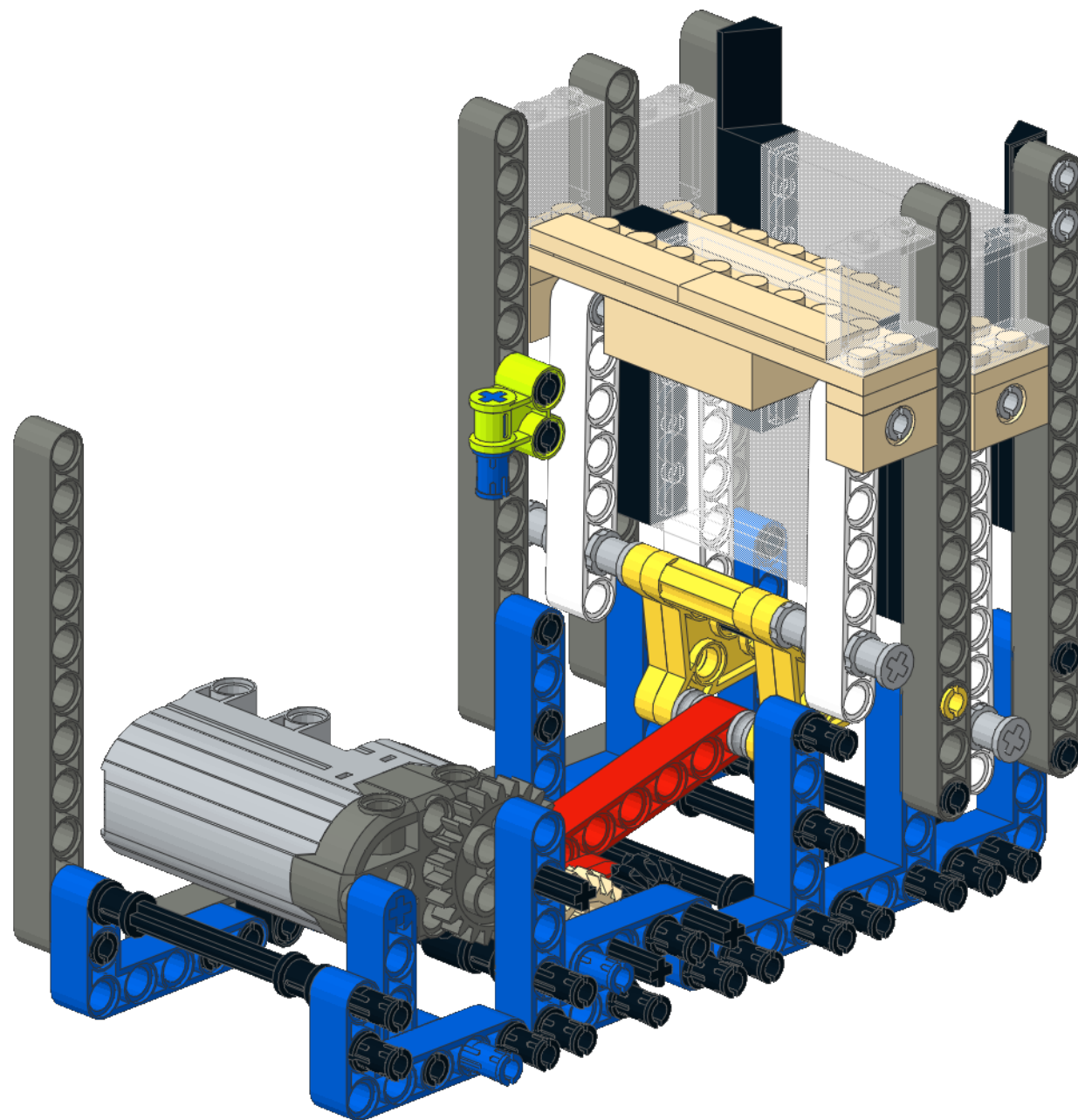
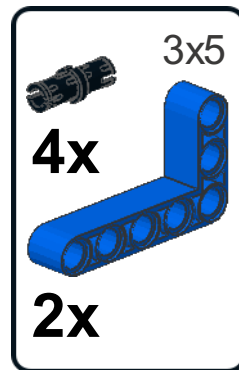
12



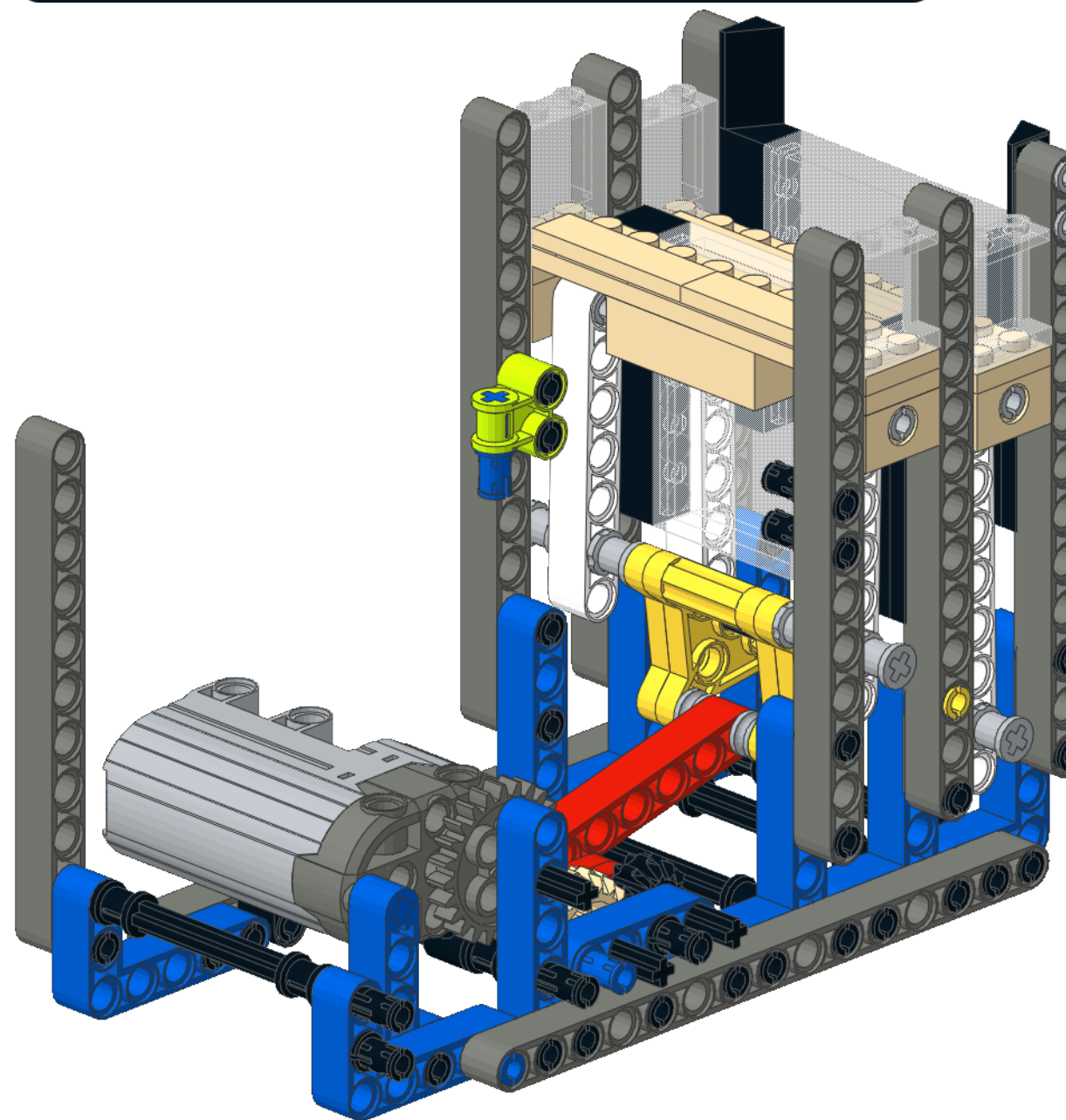
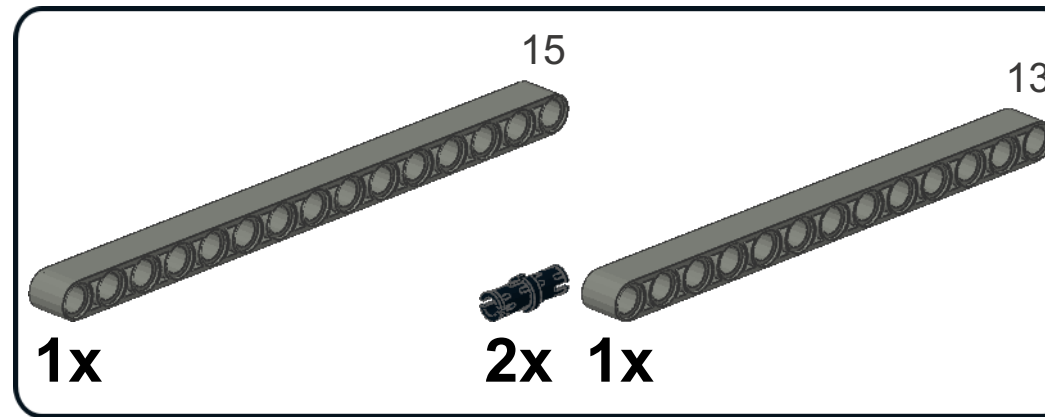
13



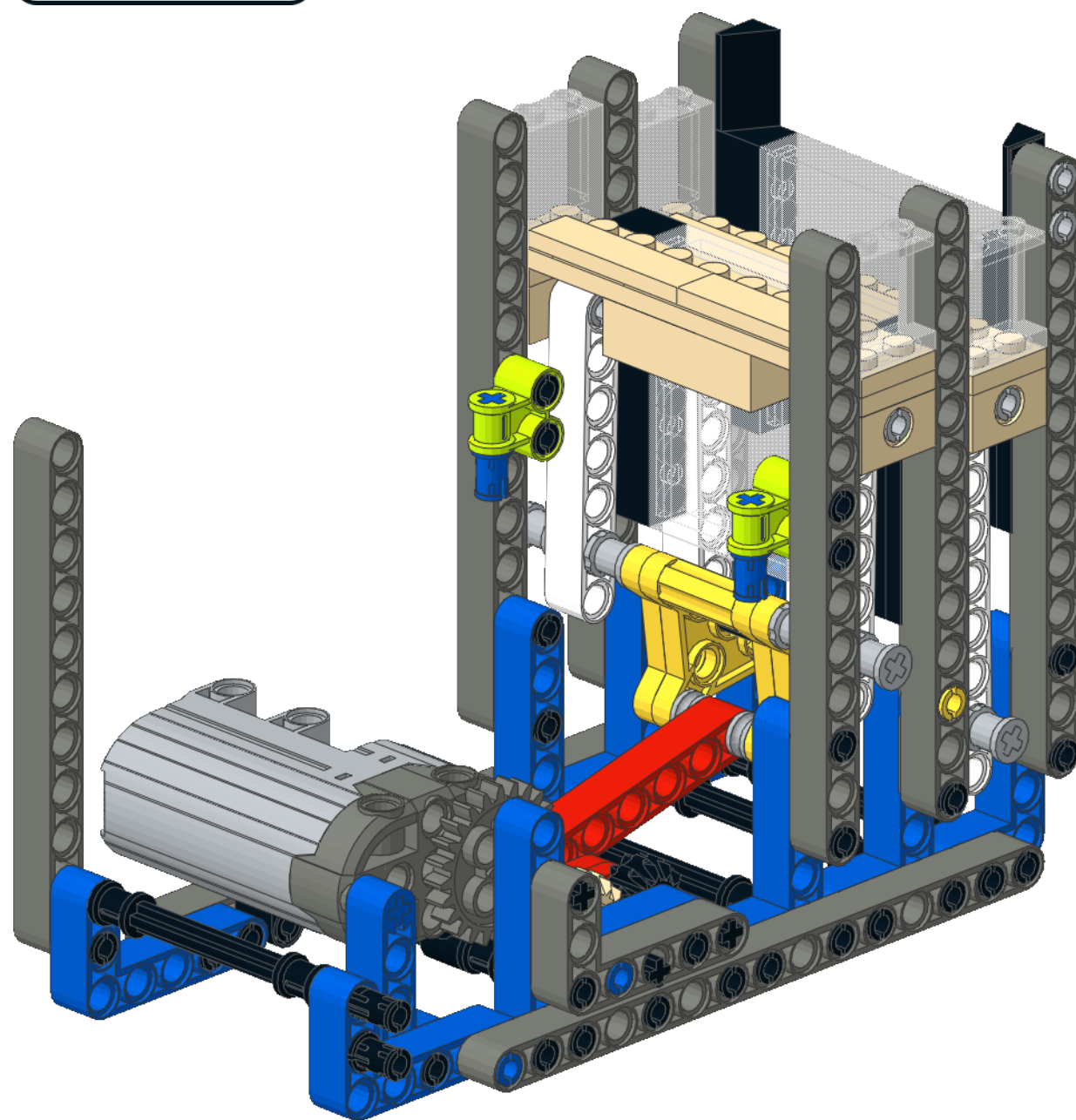
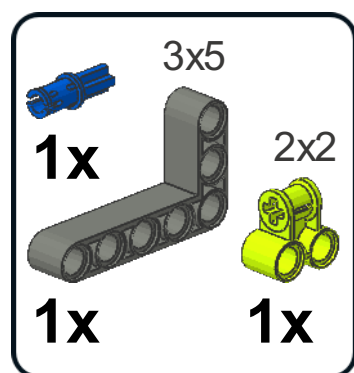
16



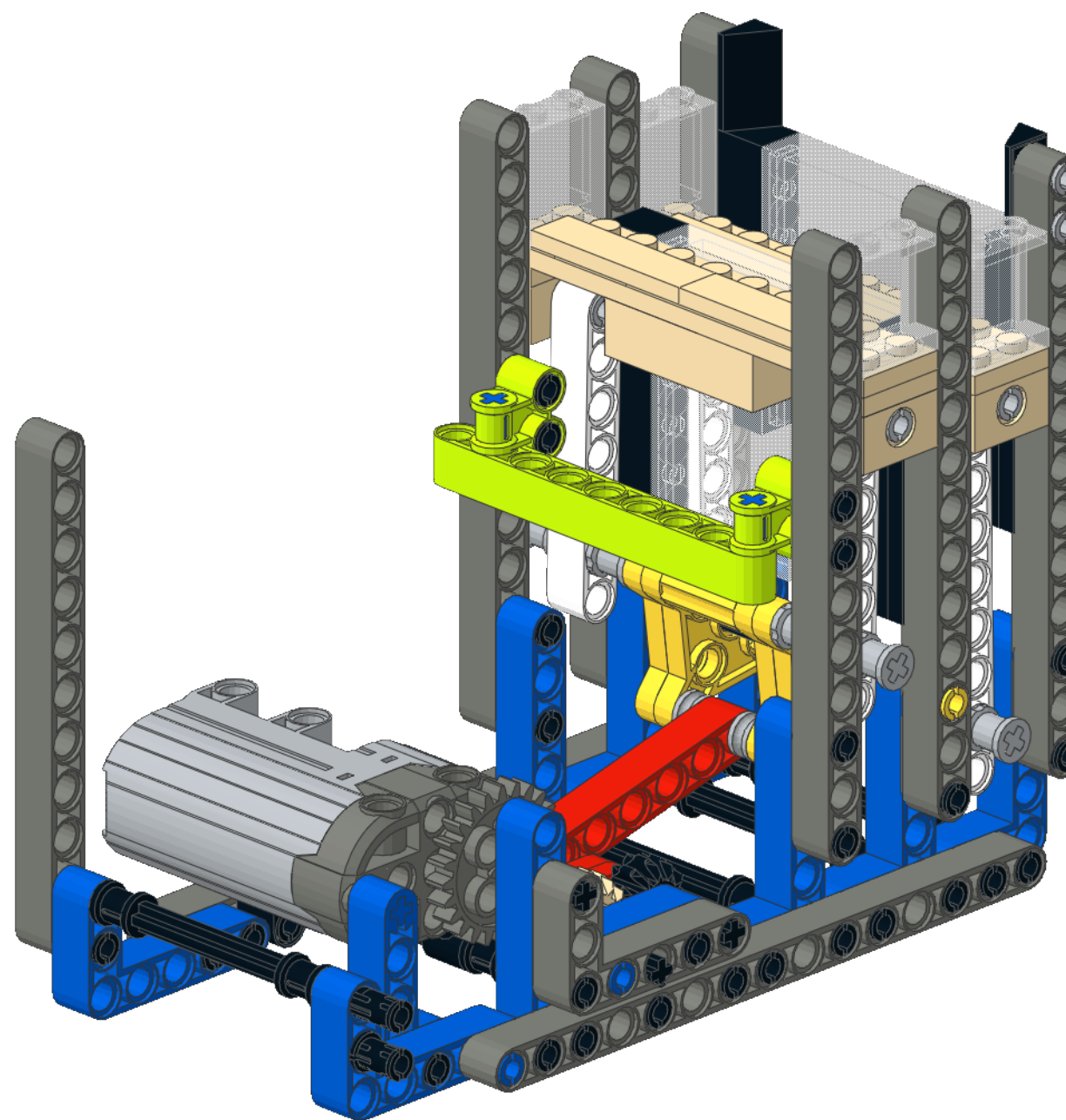
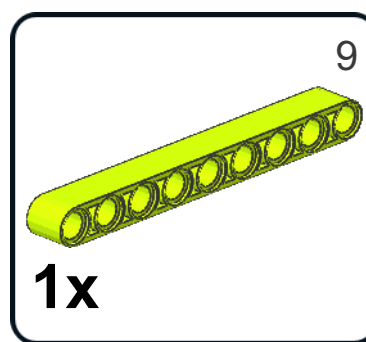
17



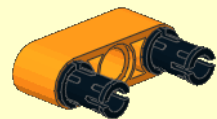
18



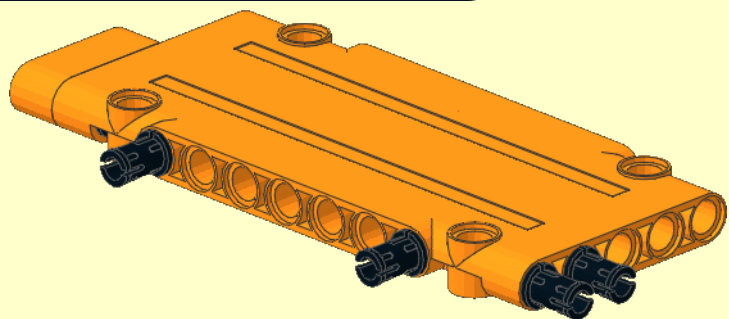
19



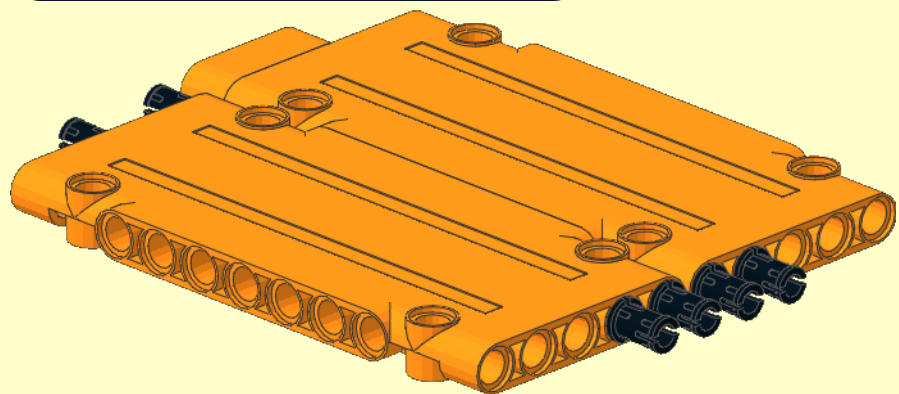
- 1**
- 2x ³
 - 1x



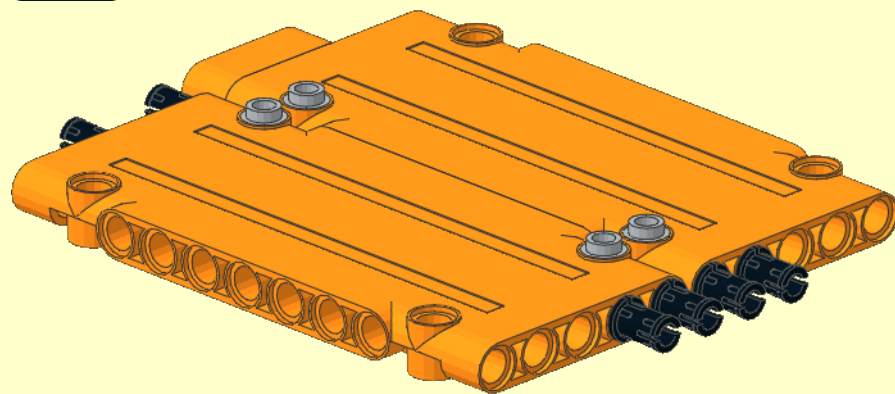
- 2**
- 5x11
 - 1x
 - 4x



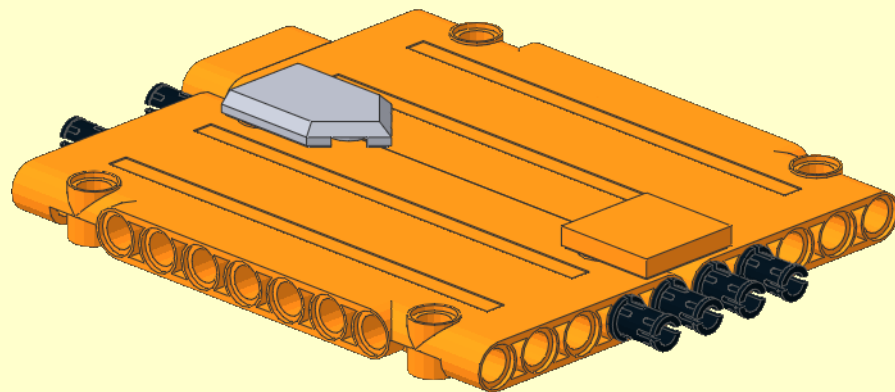
- 3**
- 5x11
 - 1x
 - 4x



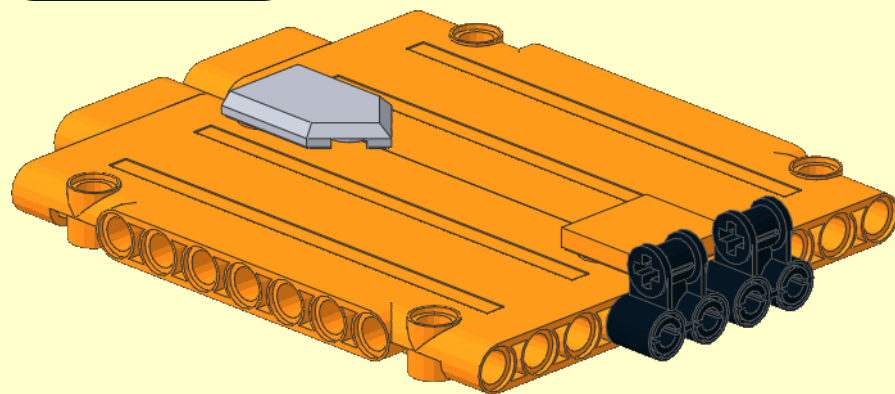
- 4**
- 4x



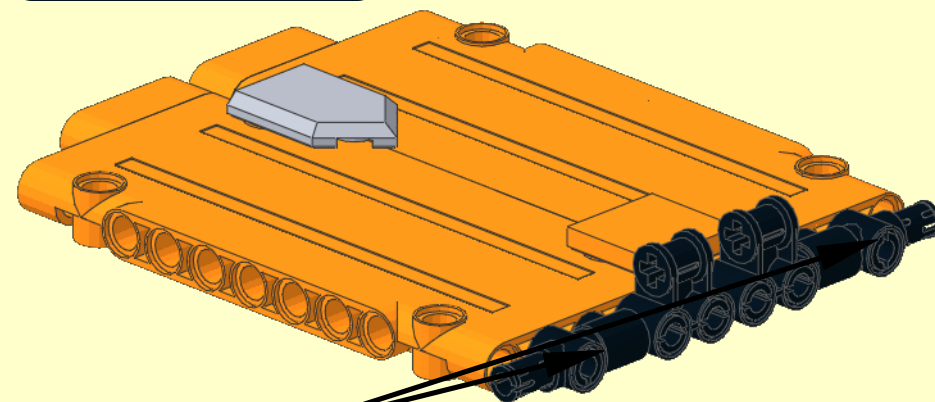
- 5**
- 2x2
 - 2x3
 - 1x
 - 1x



- 6**
- 3
 - 2x2
 - 1x
 - 2x

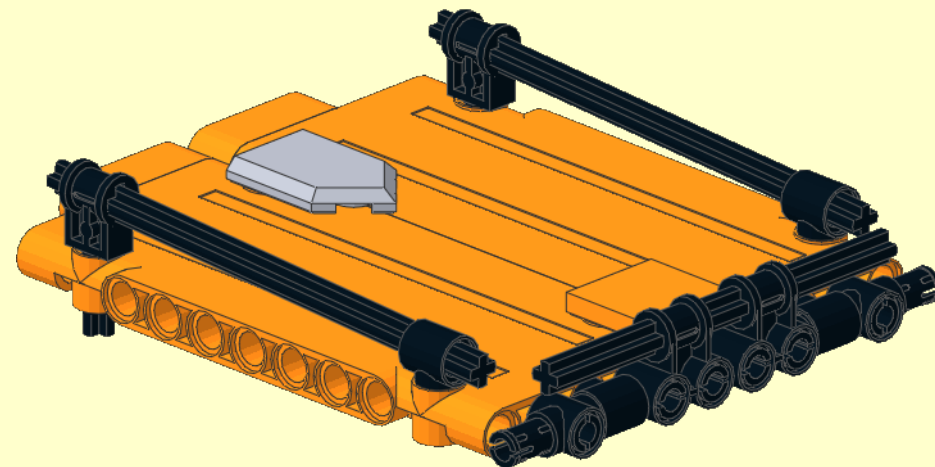


- 7**
- 2x
 - 2x
 - 2x

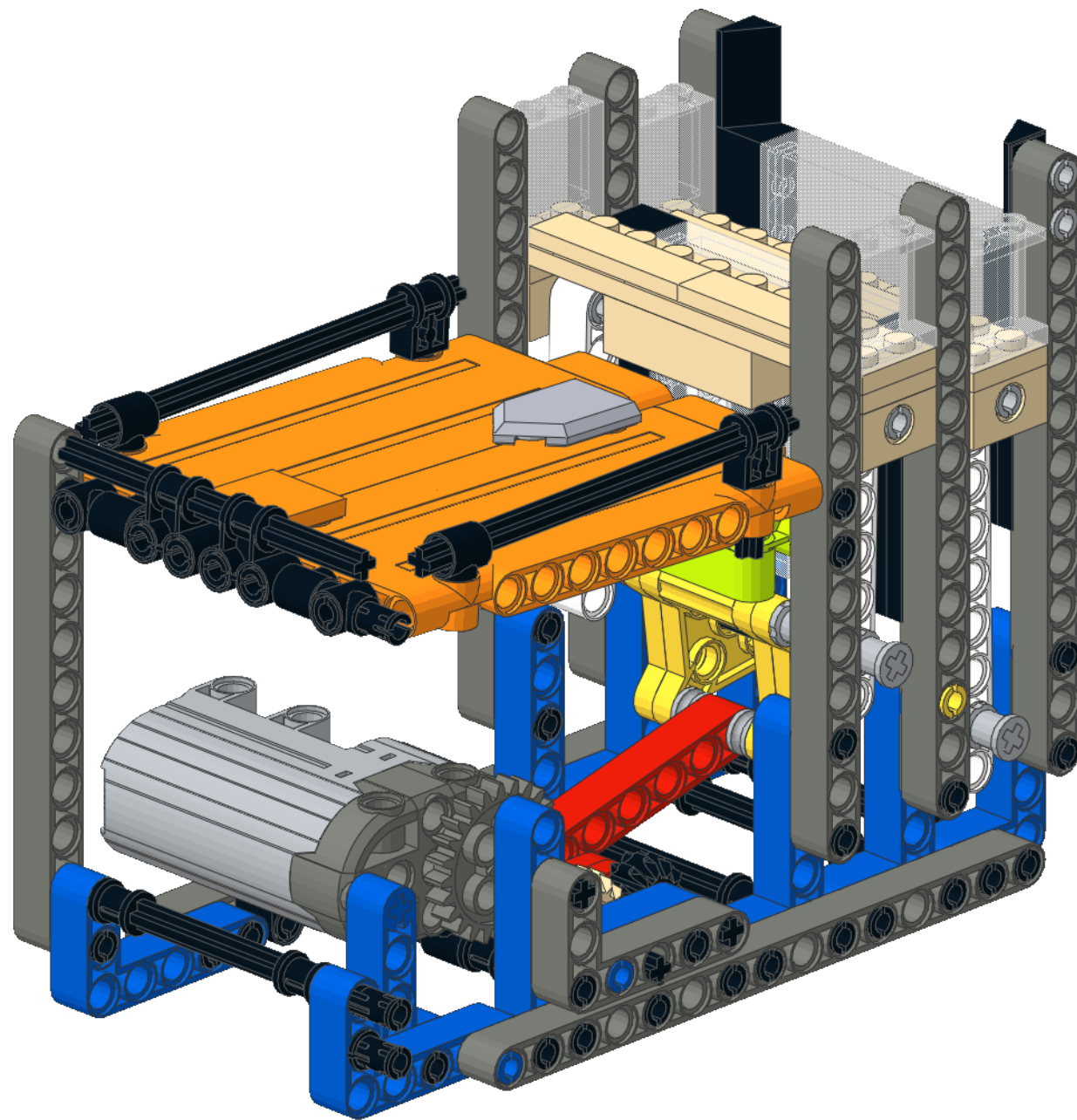


- 1**
- 2**
- 3**
- x2

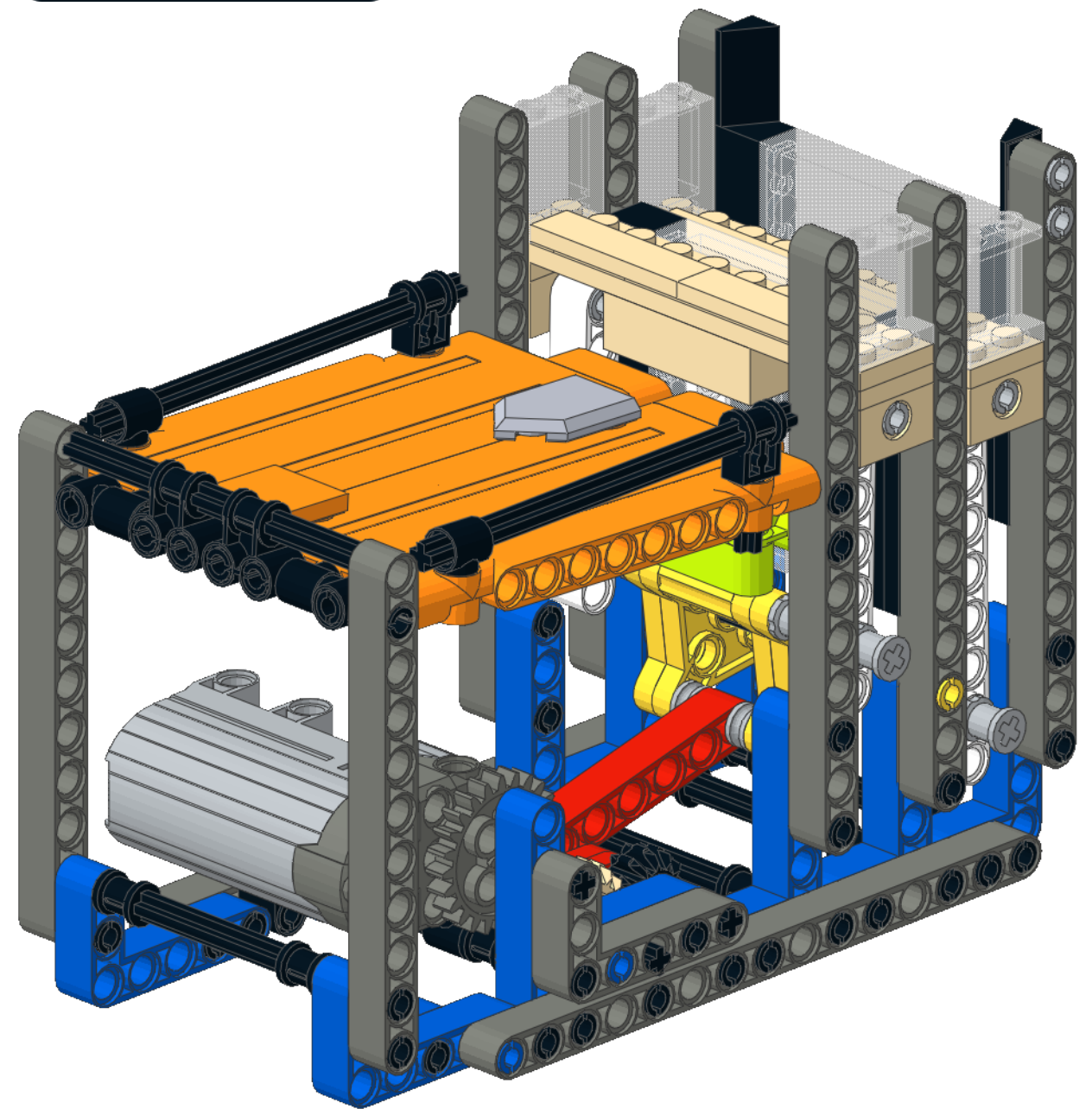
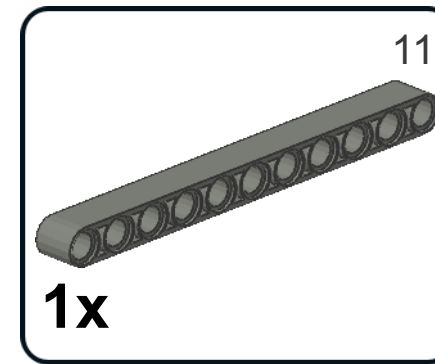
- 8**
- 10
 - 8
 - 2x
 - 2x
 - 1x
 - 2x



20



21



servo-duo-lift

Model instructions by Maico Arts

Copyright © 2017

<http://www.greatballcontraption.nl>

lego@t-hok.nl

**LEGO® is a registered trademark of the LEGO Group,
which does not sponsor, endorse, or authorize these
instructions or the model they depict.**

**Instructions configured and generated using LPub3D 2.0.19.877.2
Download LPub3D at <http://sourceforge.net/projects/lpub3d/>**

