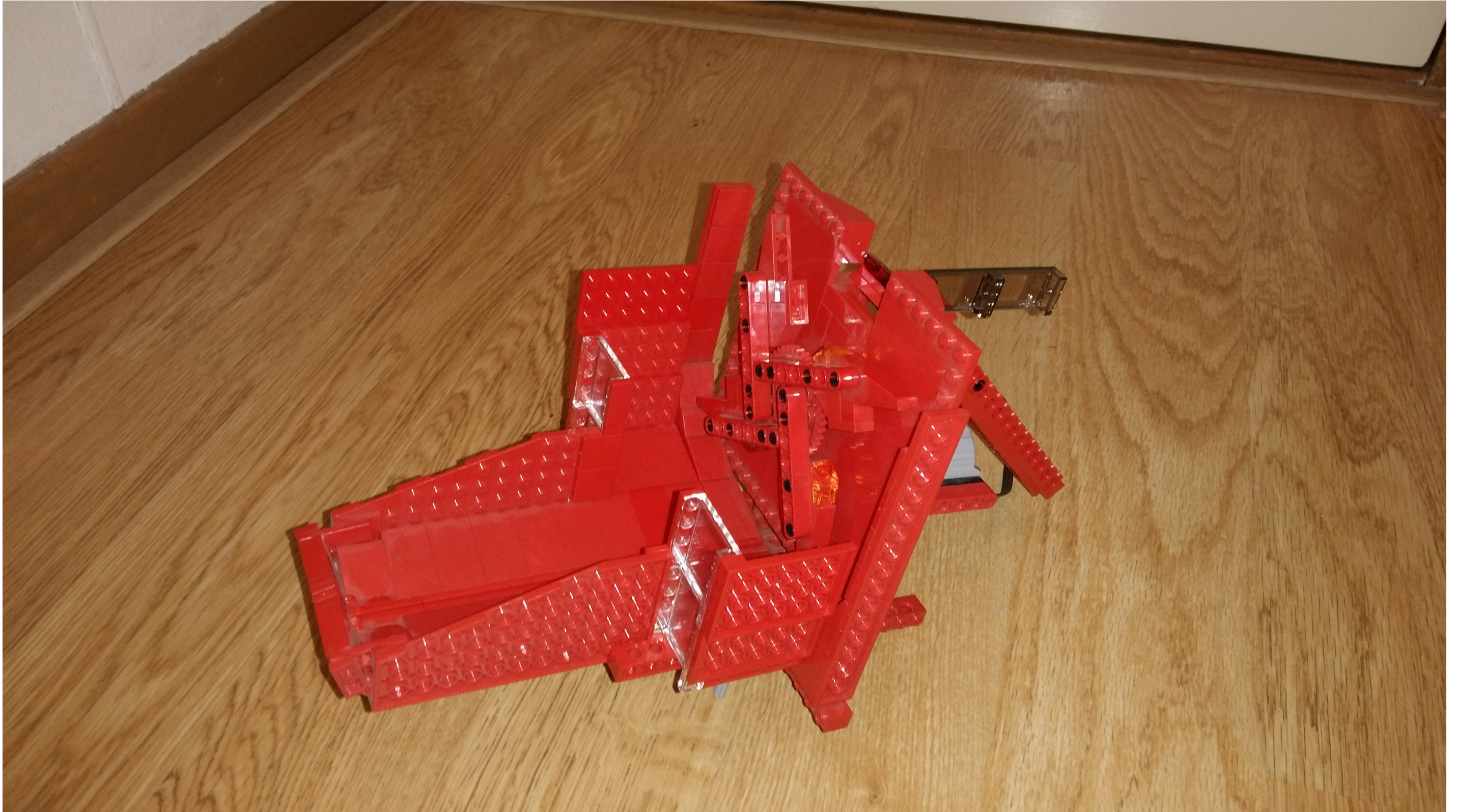


Rood met een rood wiel

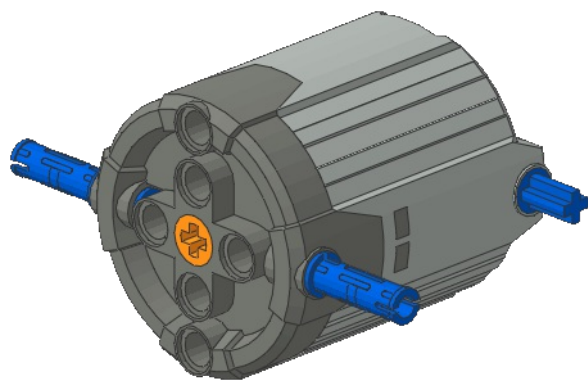
Model instructions by Maico Arts

281 Pieces



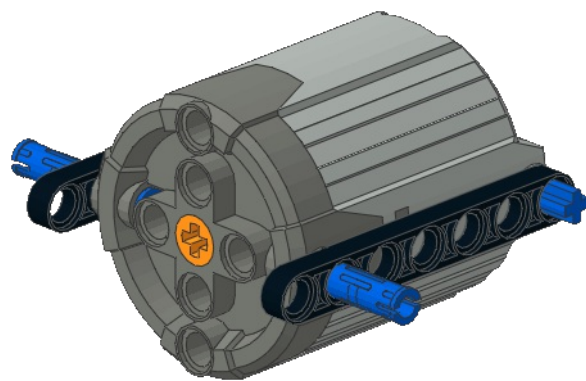
1

1x
2x
2x



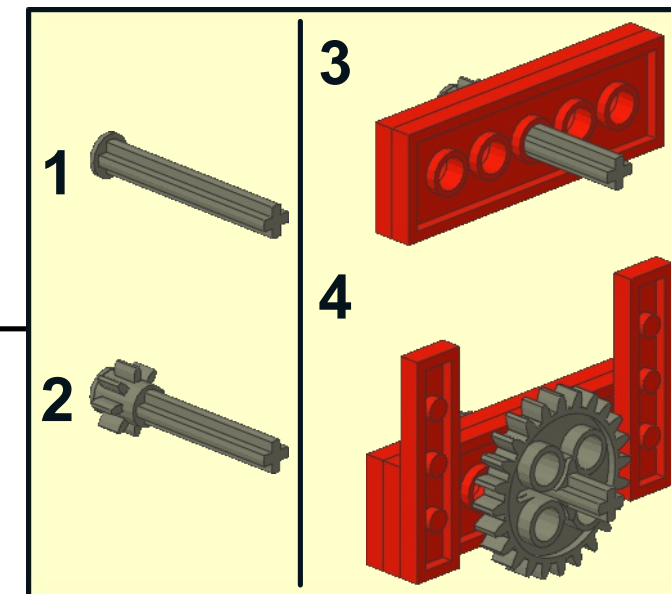
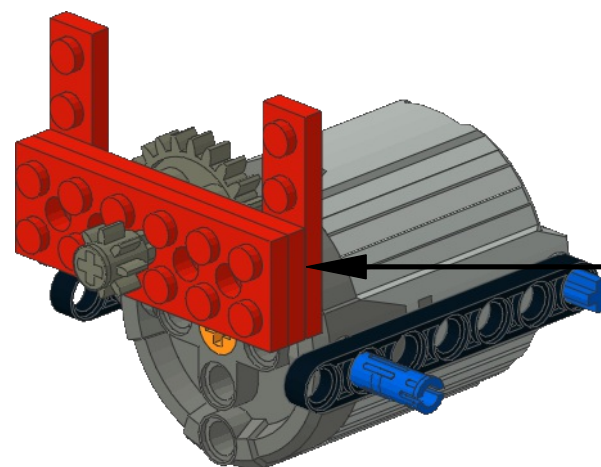
2

7x0.5
2x



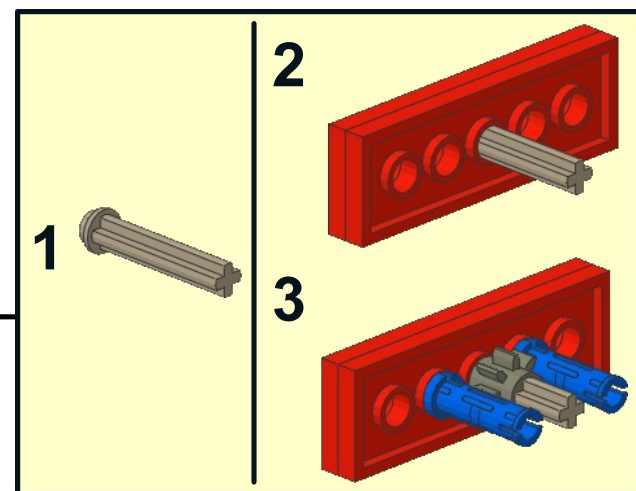
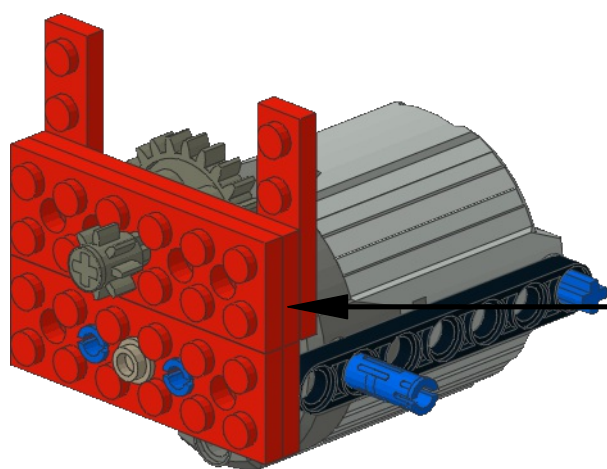
3

2x6
2x
1x4
2x
4
1x
24
8
1x



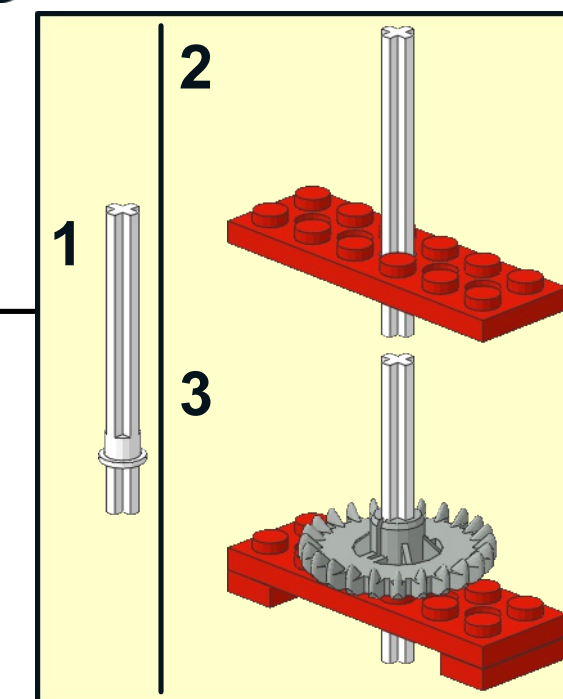
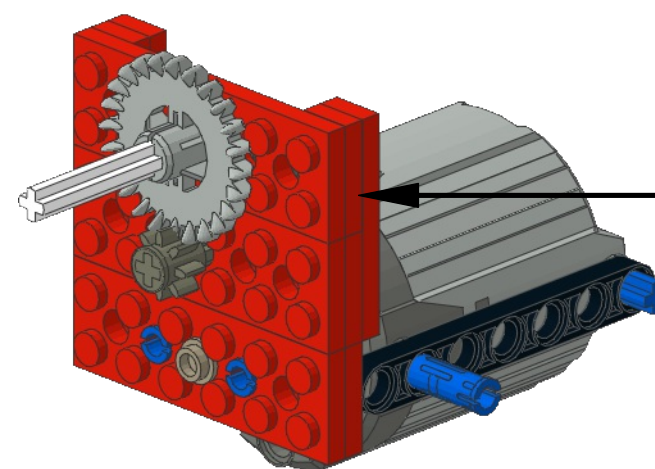
4

2x6
2x
3
1x
2x
8
1x



5

2x6
1x
5.5
1x
24
1x2
2x



6

1x16

4x

2x

2x

7

3x3.8x7

1x3

2x

2x

1x2

2x

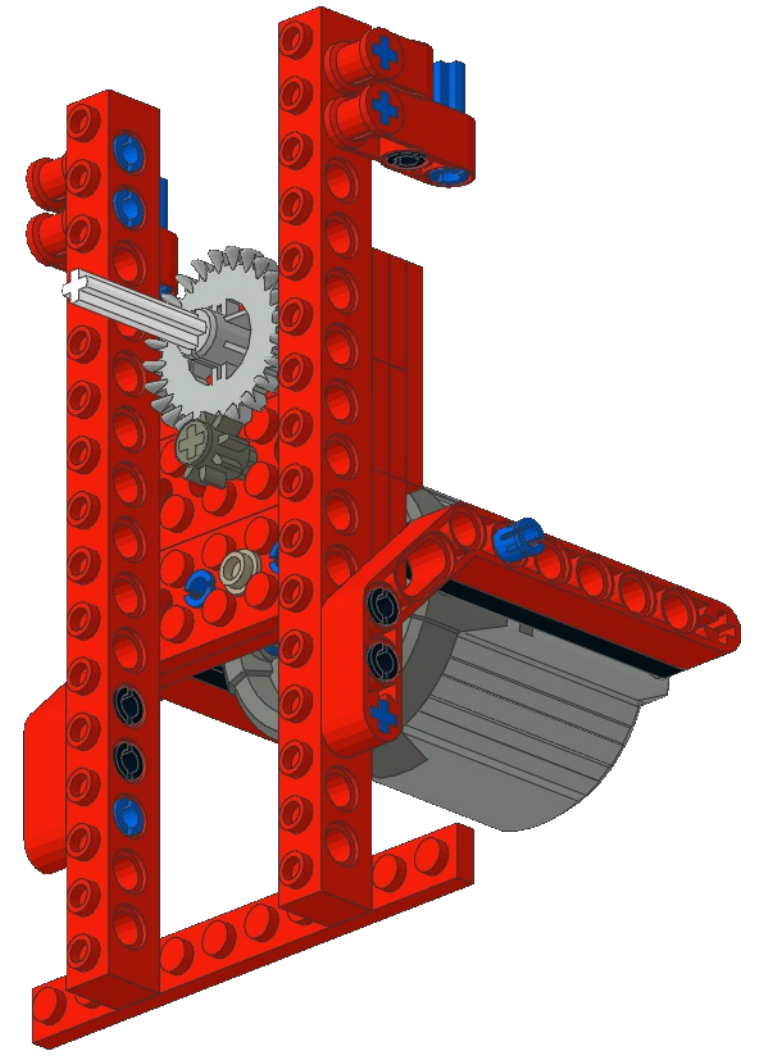
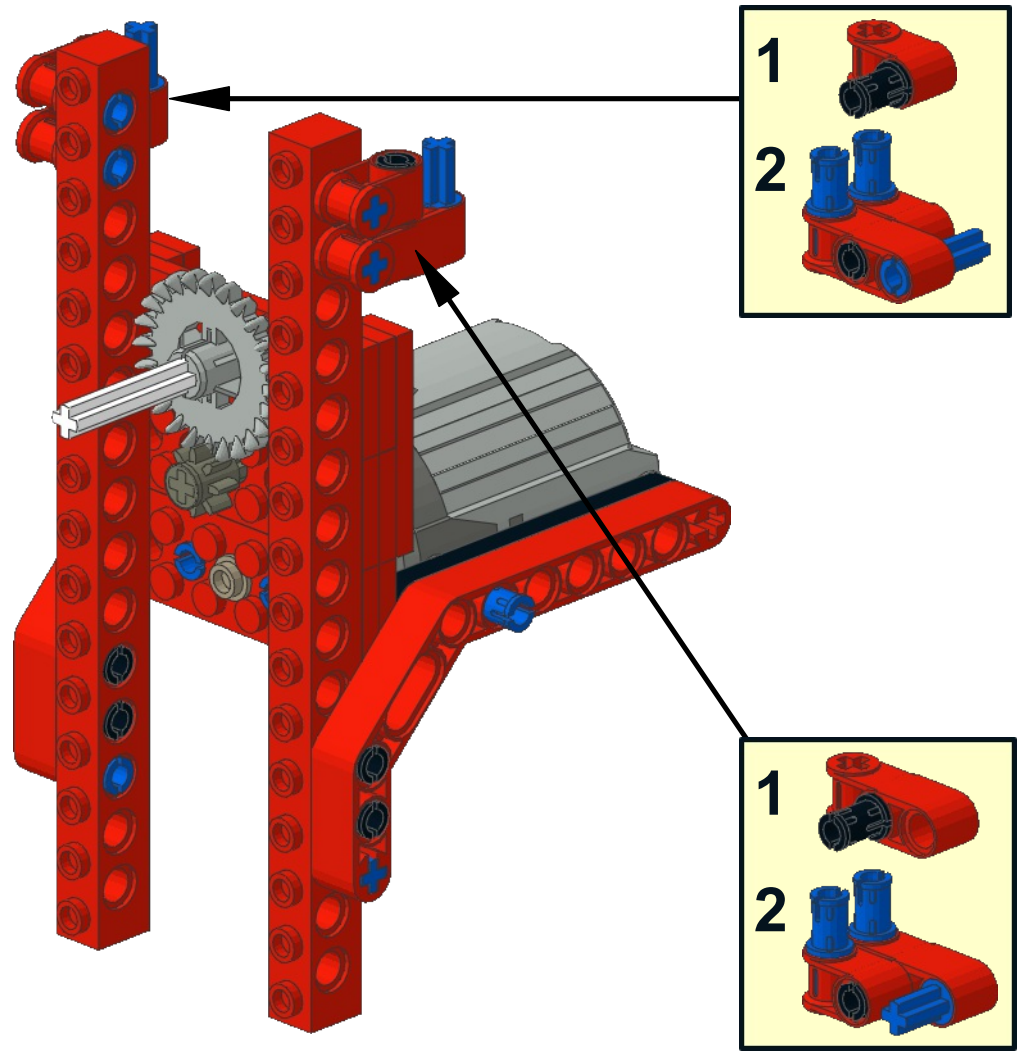
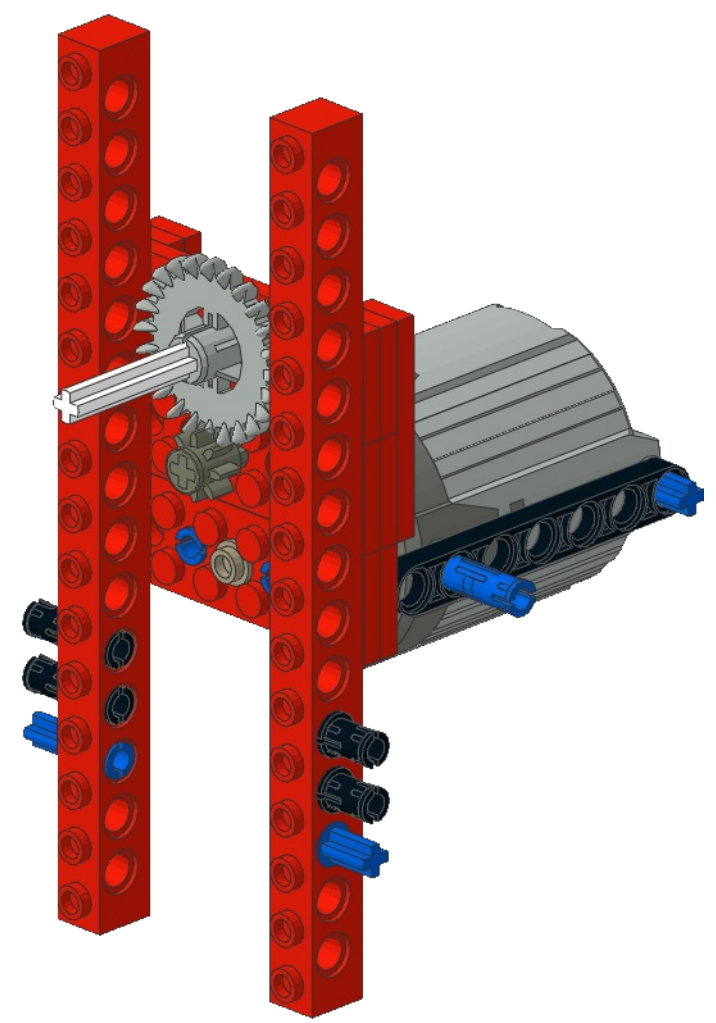
6x

2x

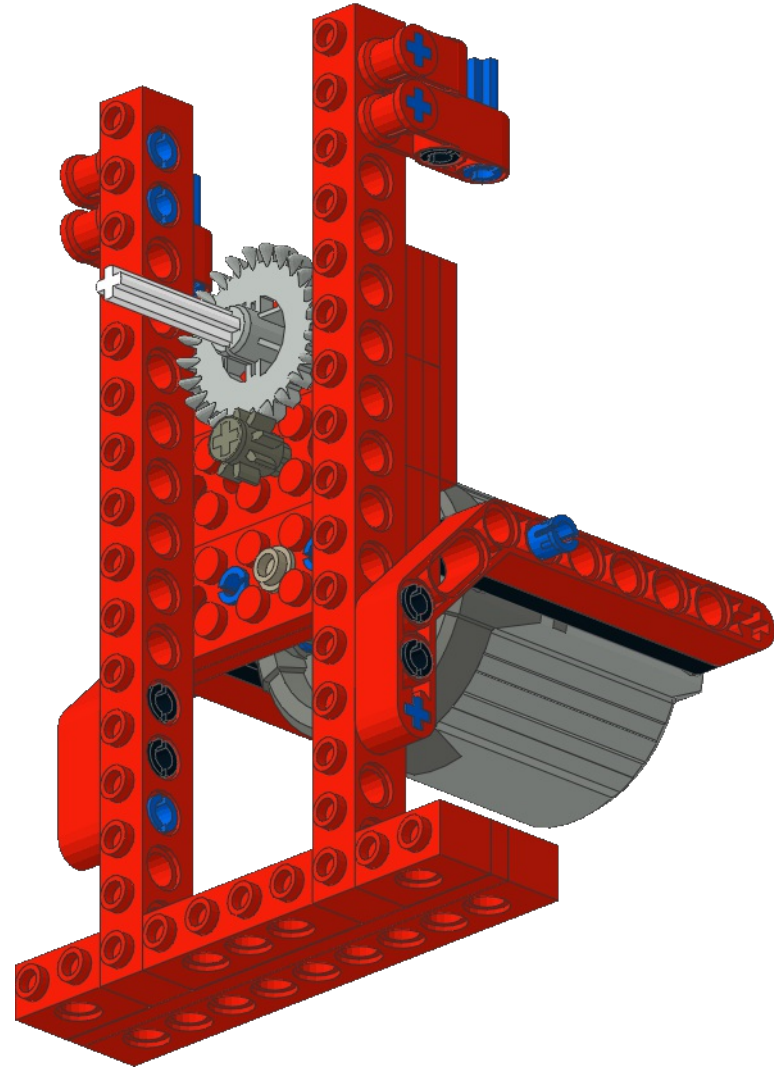
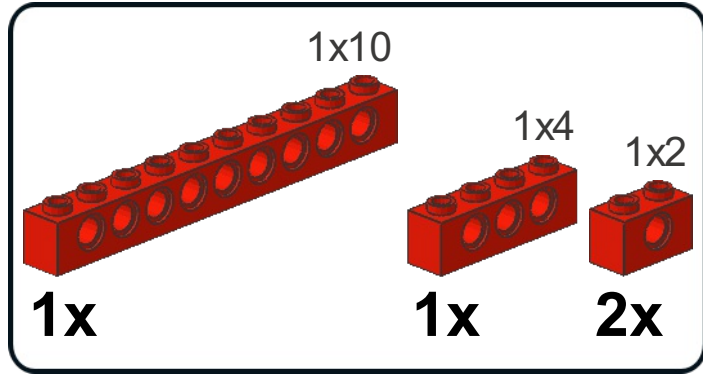
8

1x10

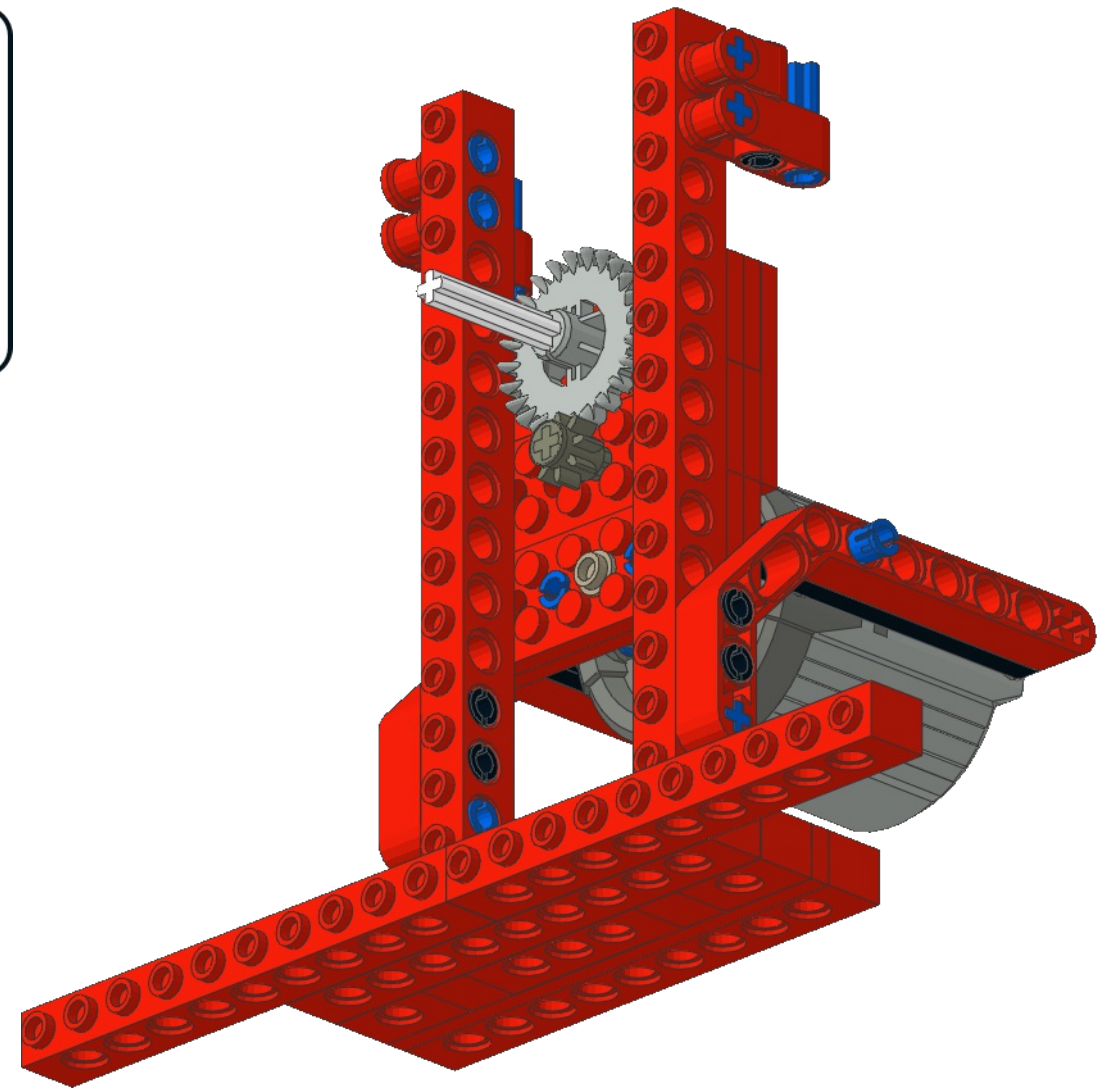
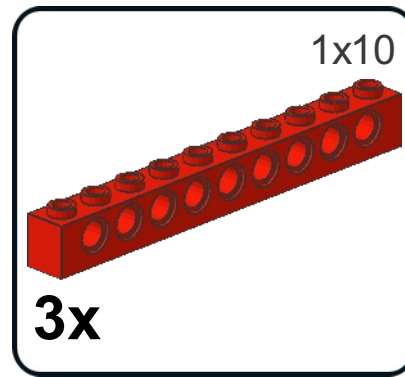
1x



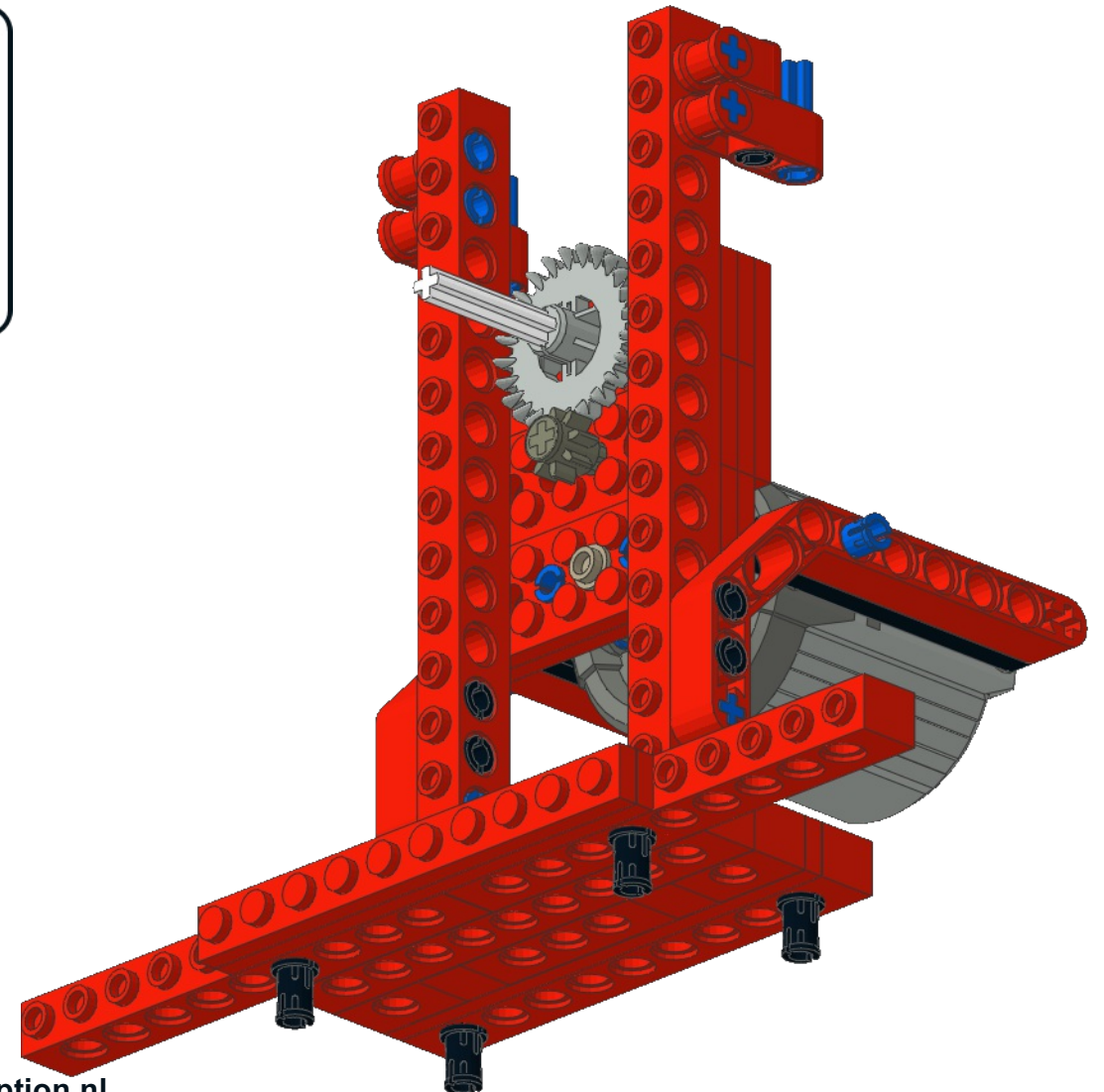
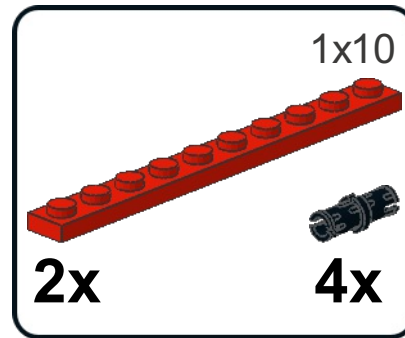
9



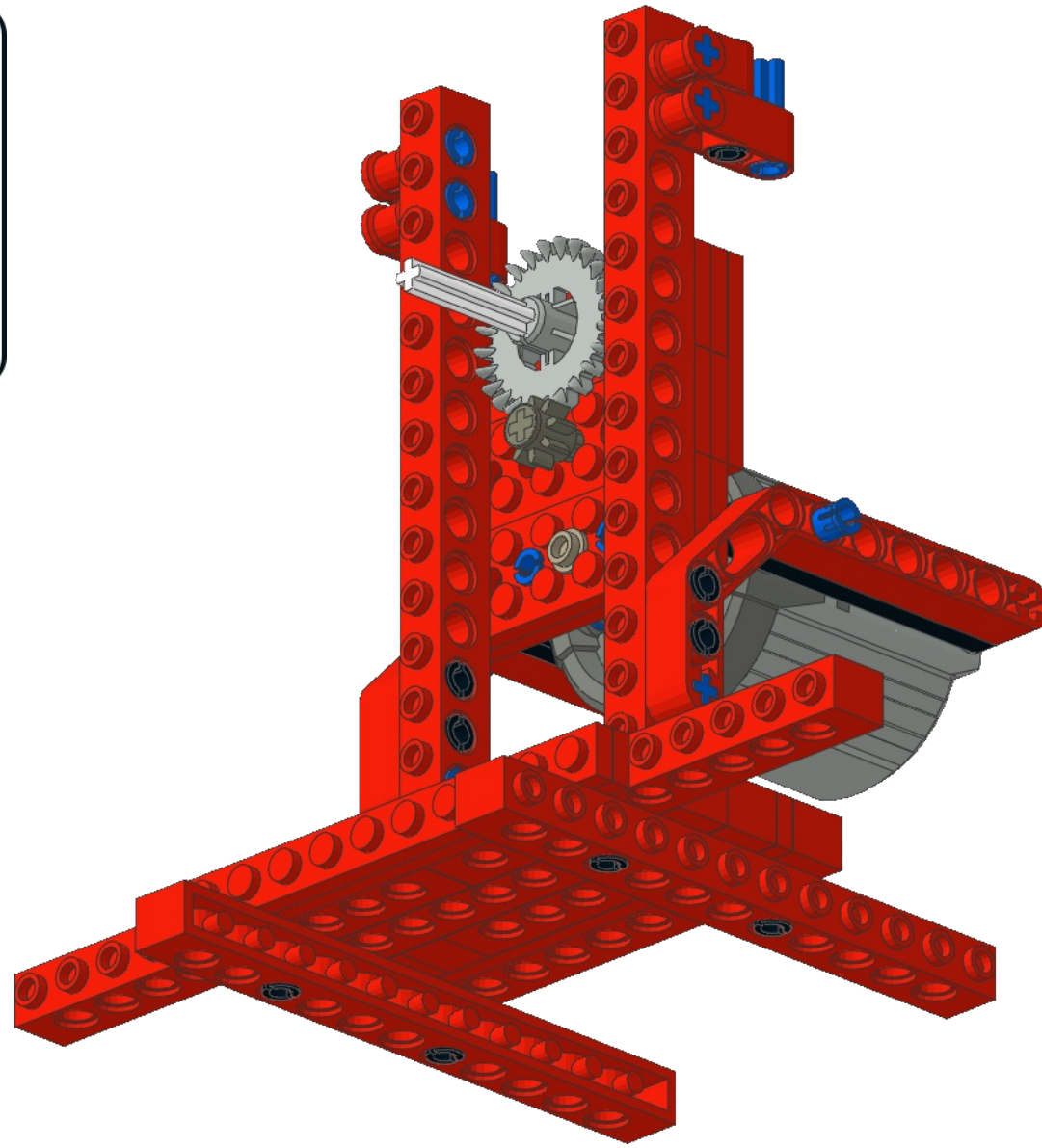
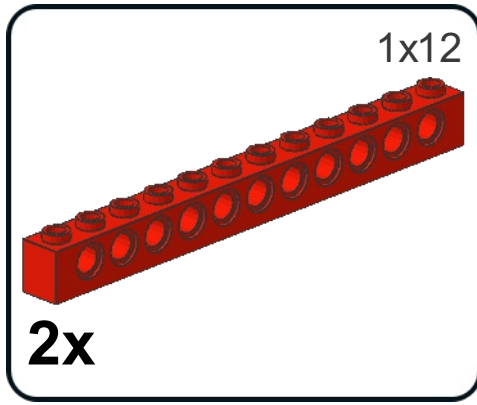
10



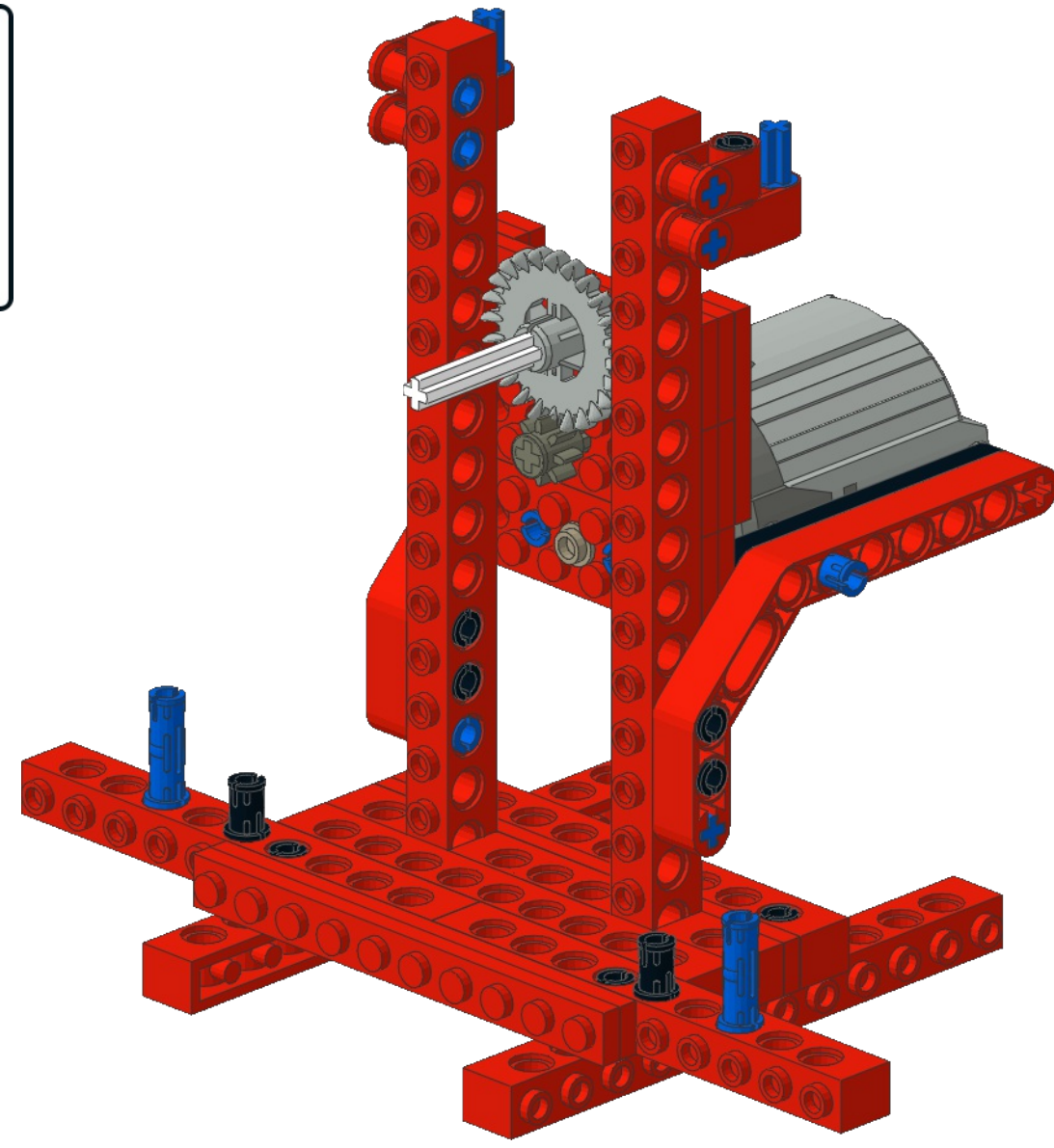
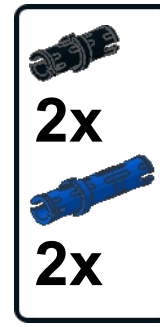
11

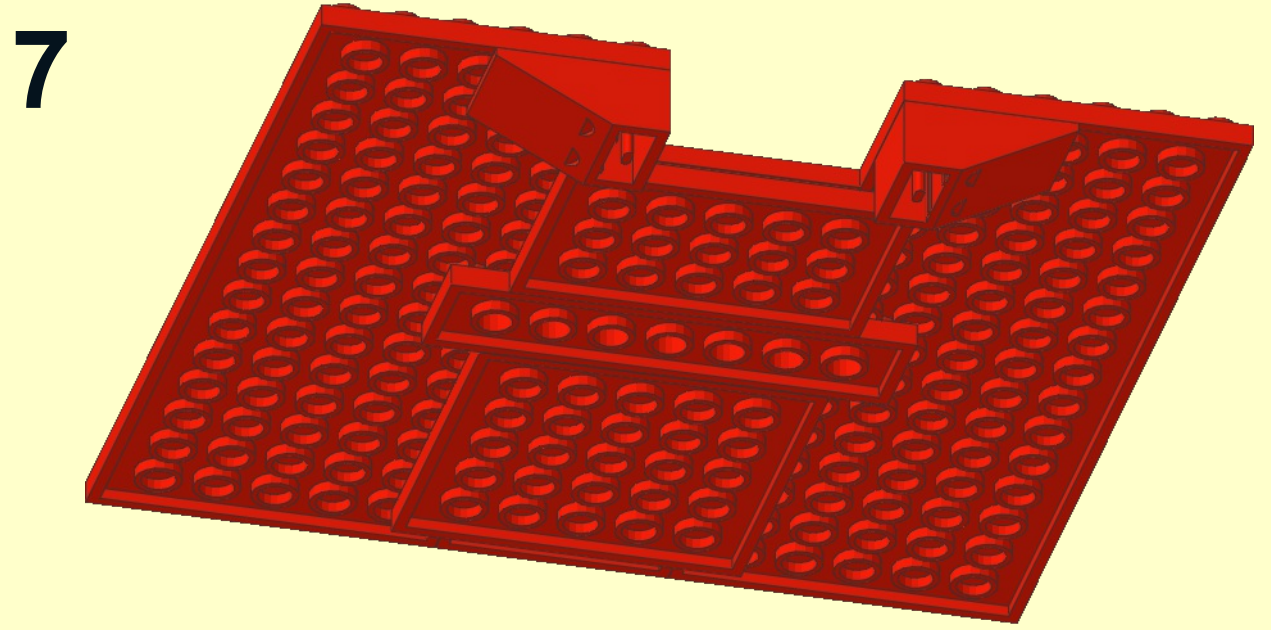
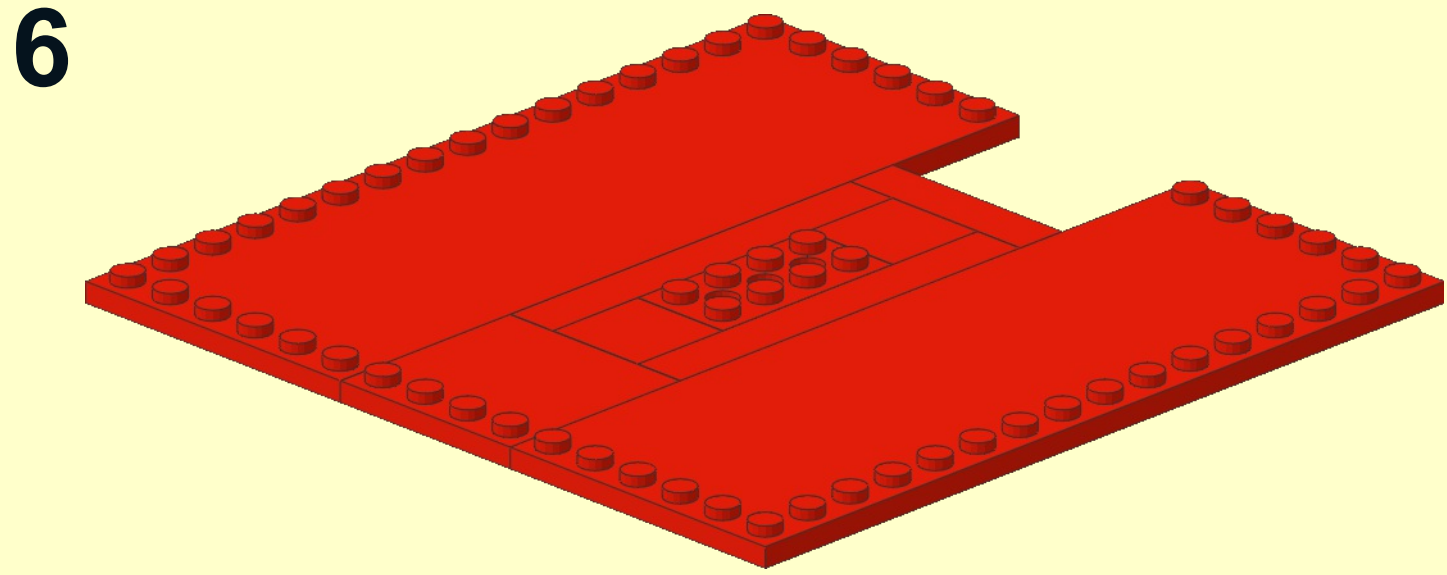
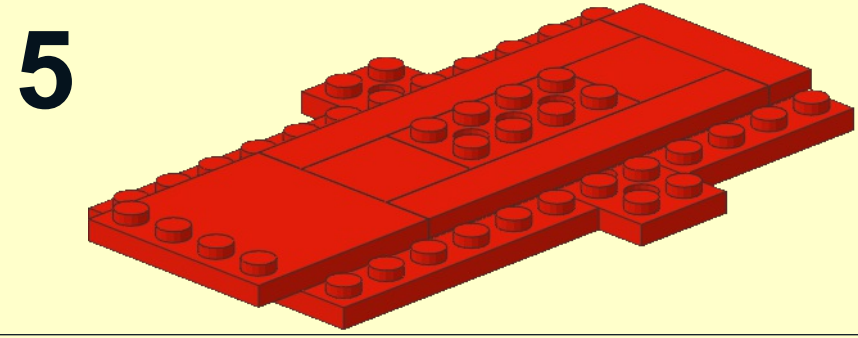
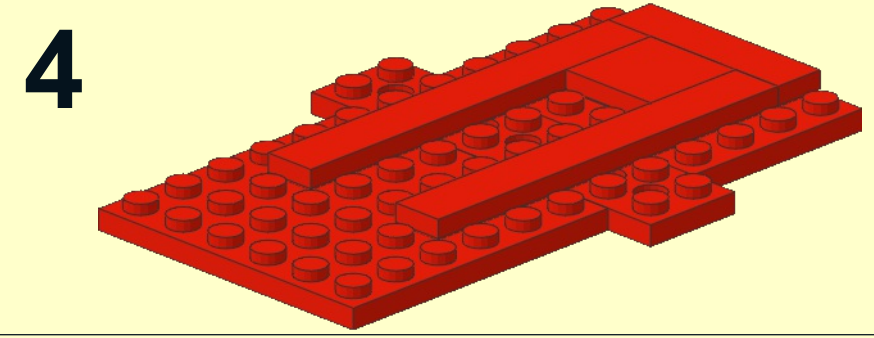
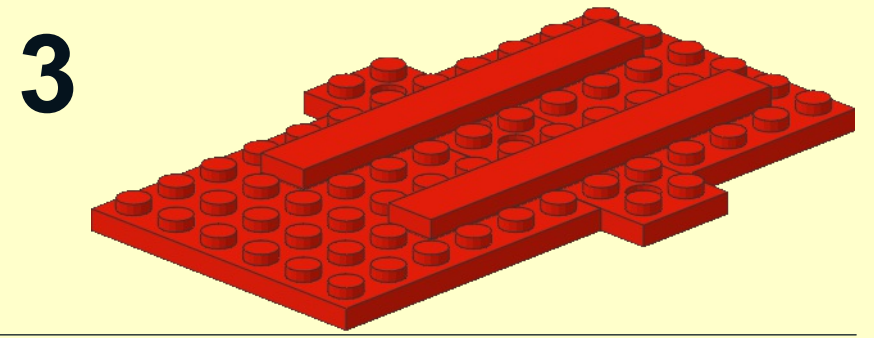
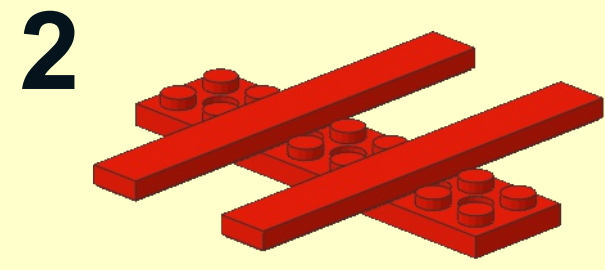
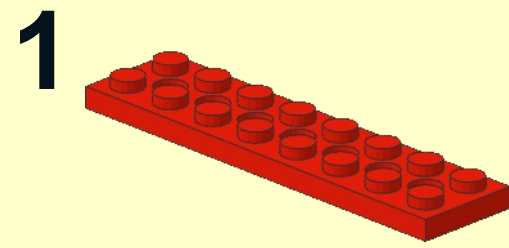
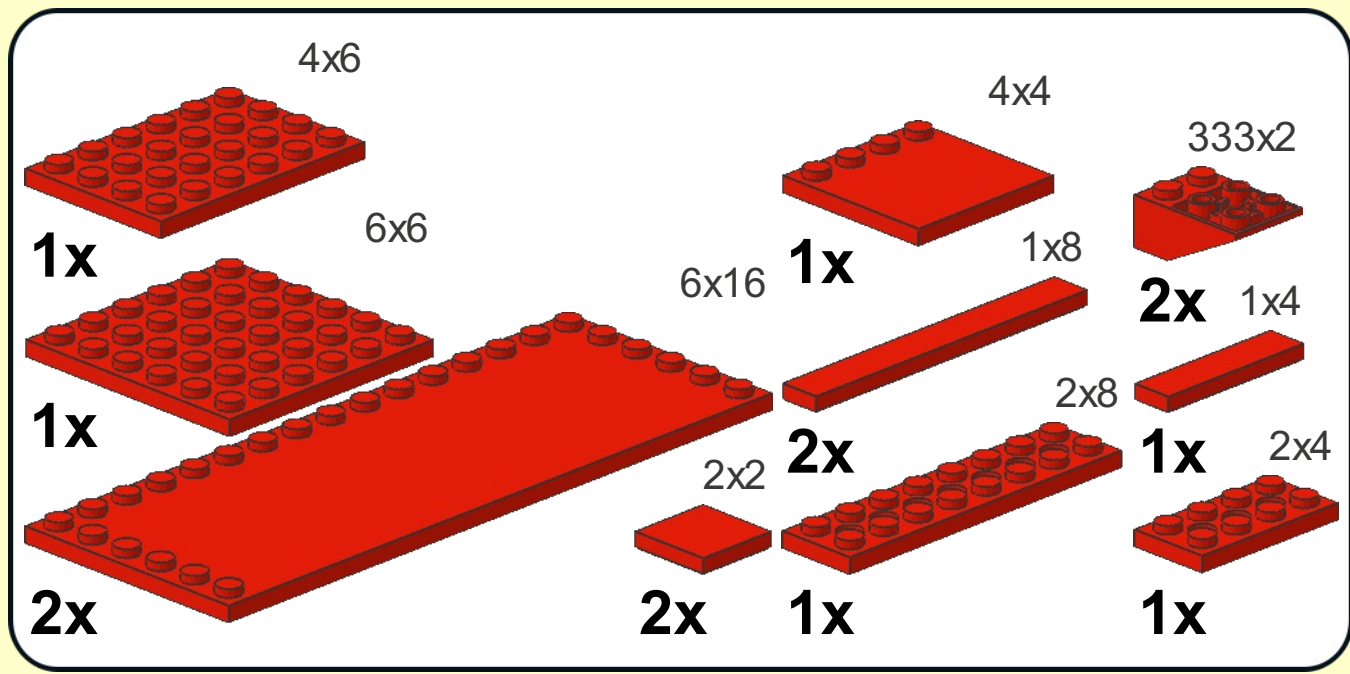


12

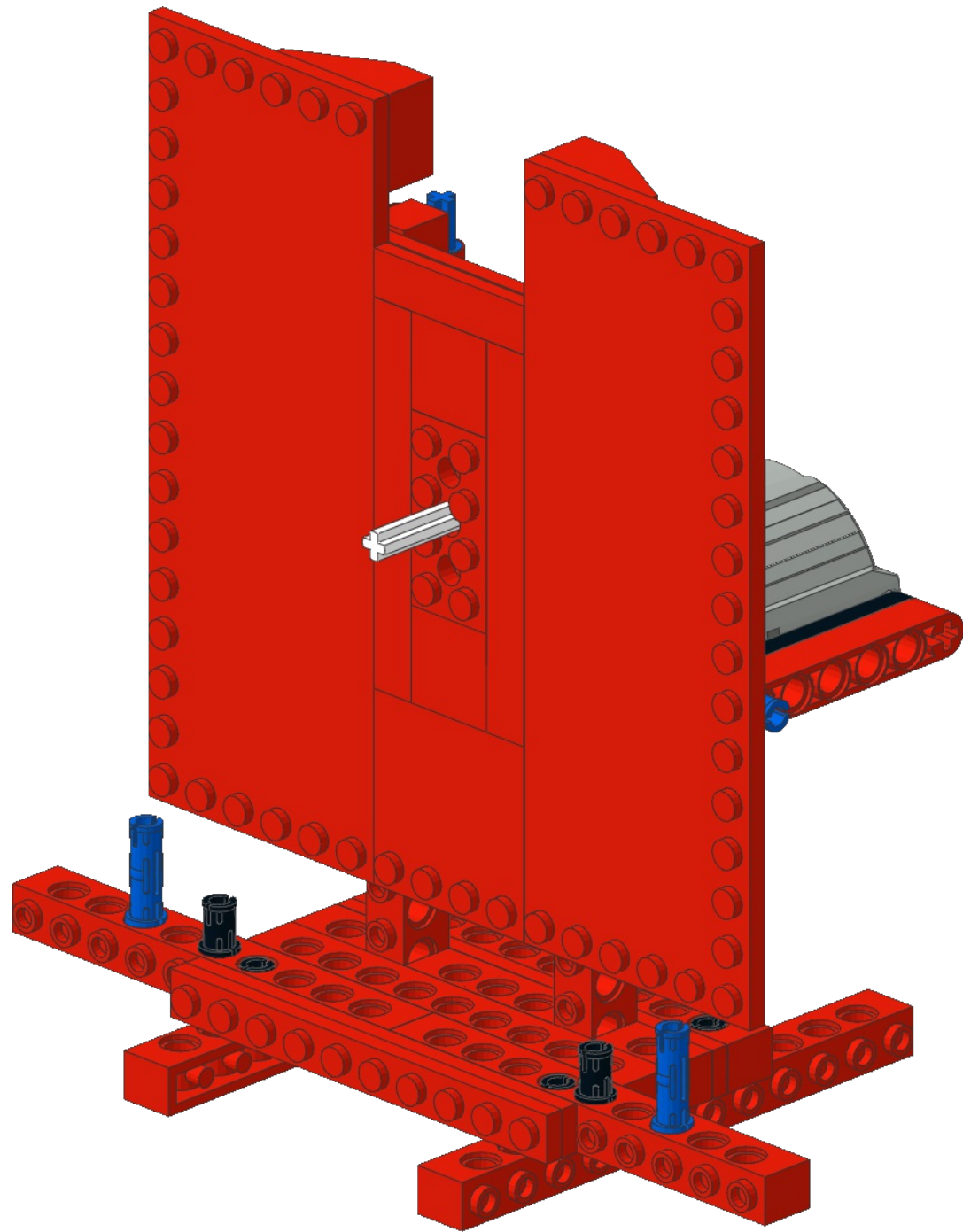


13

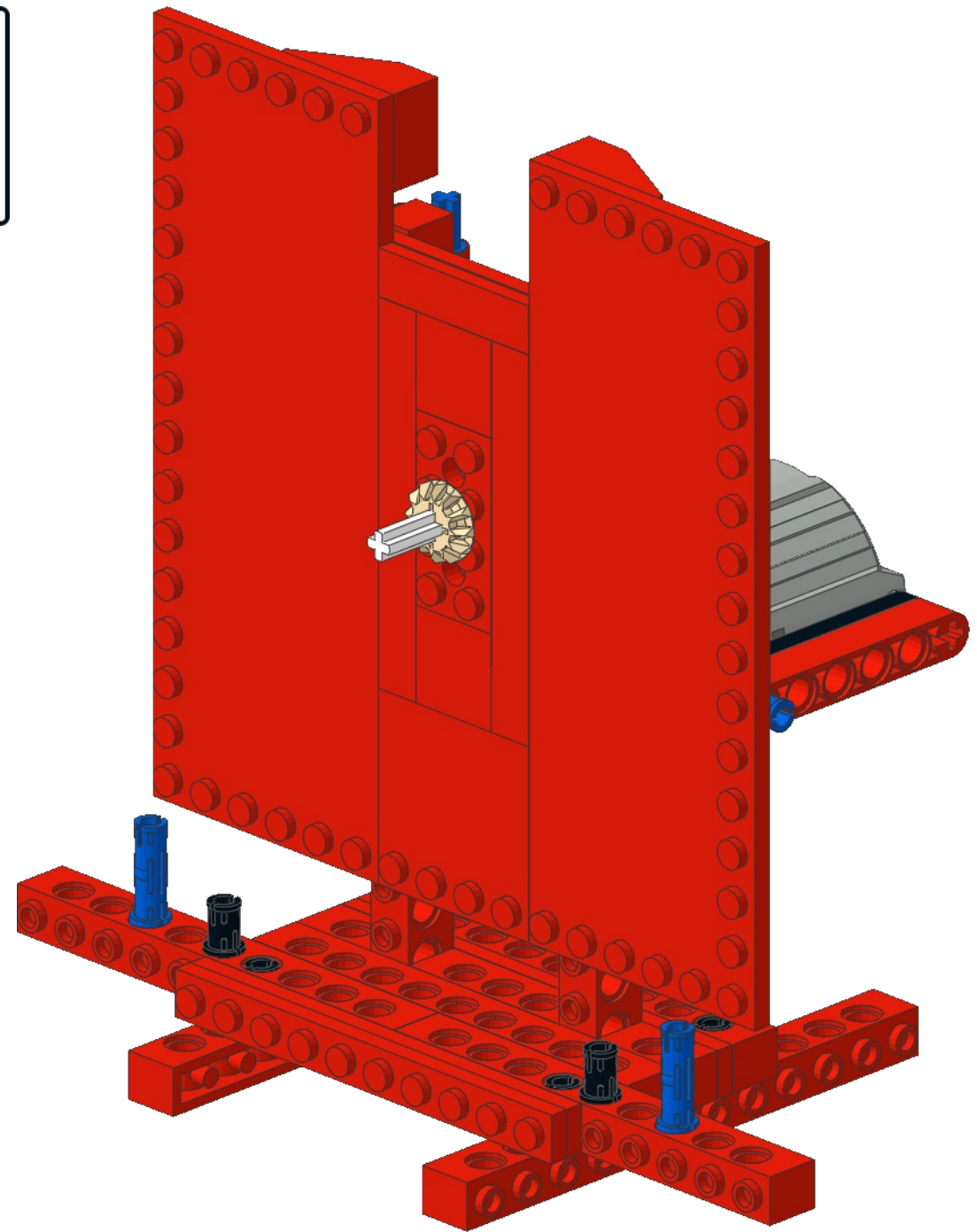




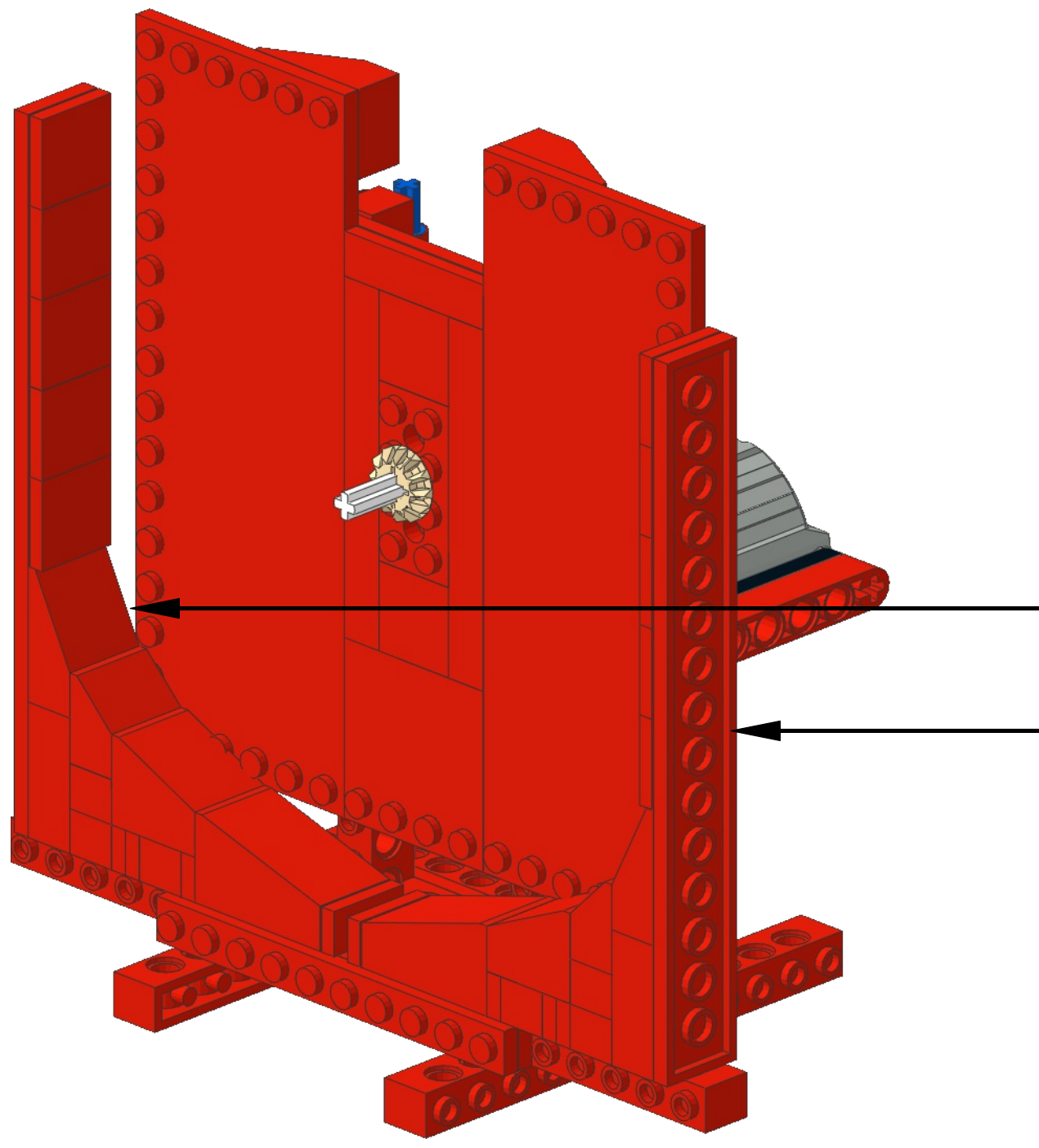
14



15

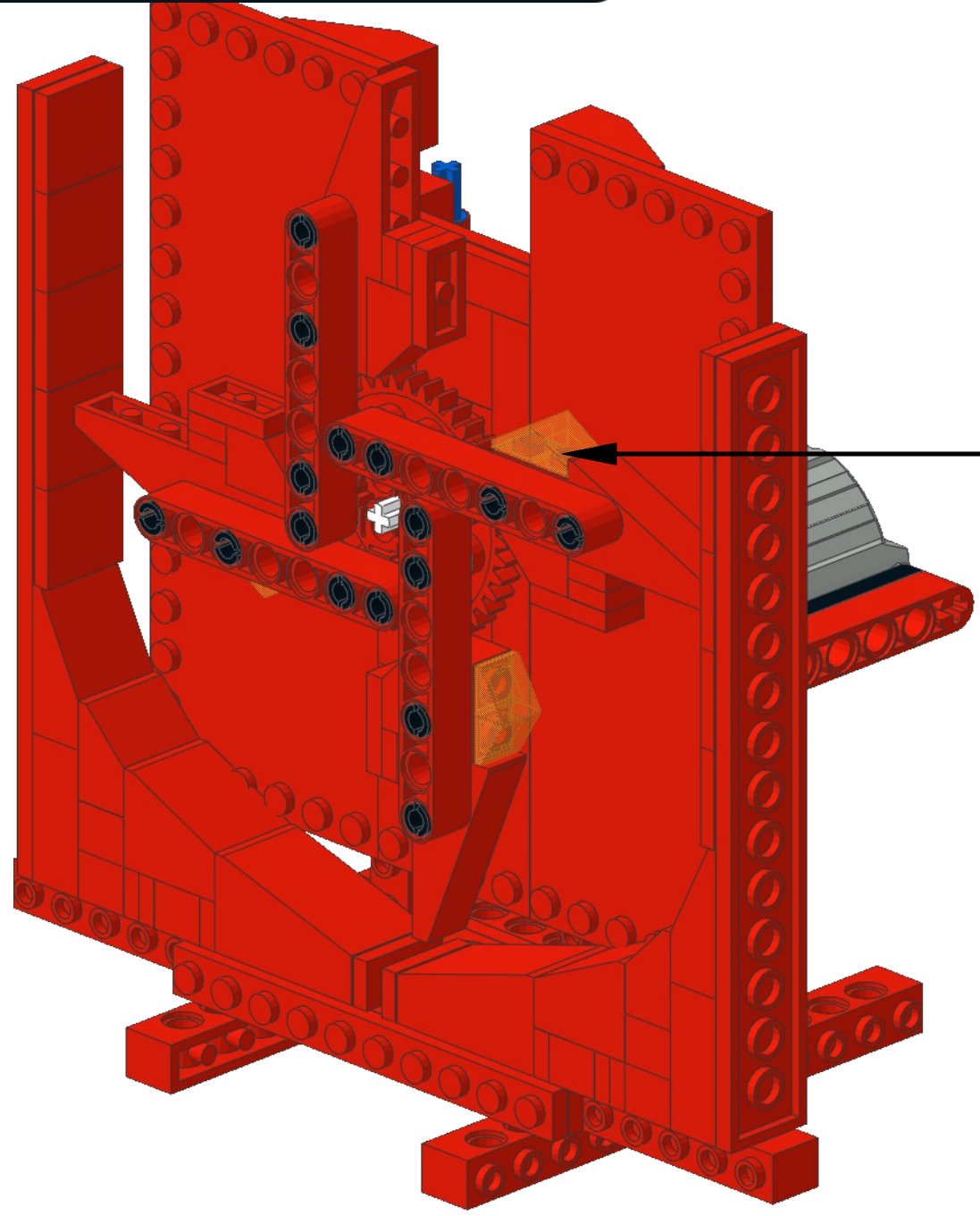
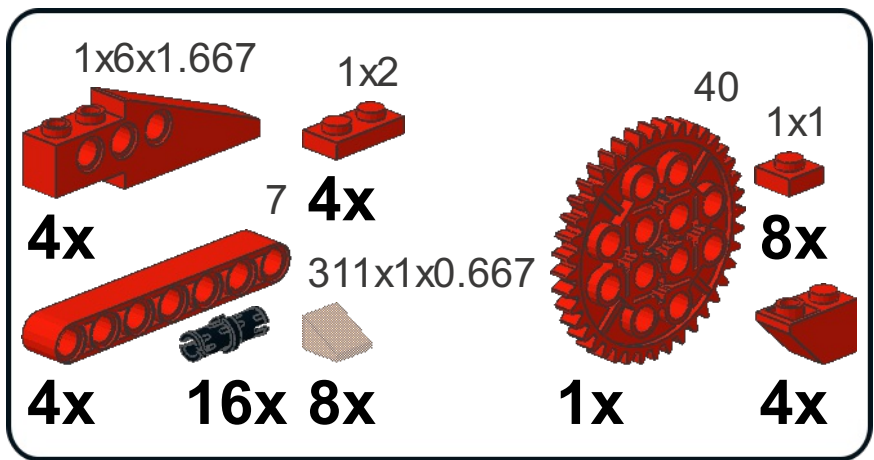


1x2
6x 2x3
2x
2x16
2x
2x2
10x
652x2x2
2x
333x2
2x
752x2x3
2x
1x2
2x
1x2
6x
452x2
2x



1
2
3
4
5
6
7
8
x2

1x6x1.667 1x2 40 1x1
4x 7 4x 8x
4x 16x 8x 1x 4x
311x1x0.667



1

2

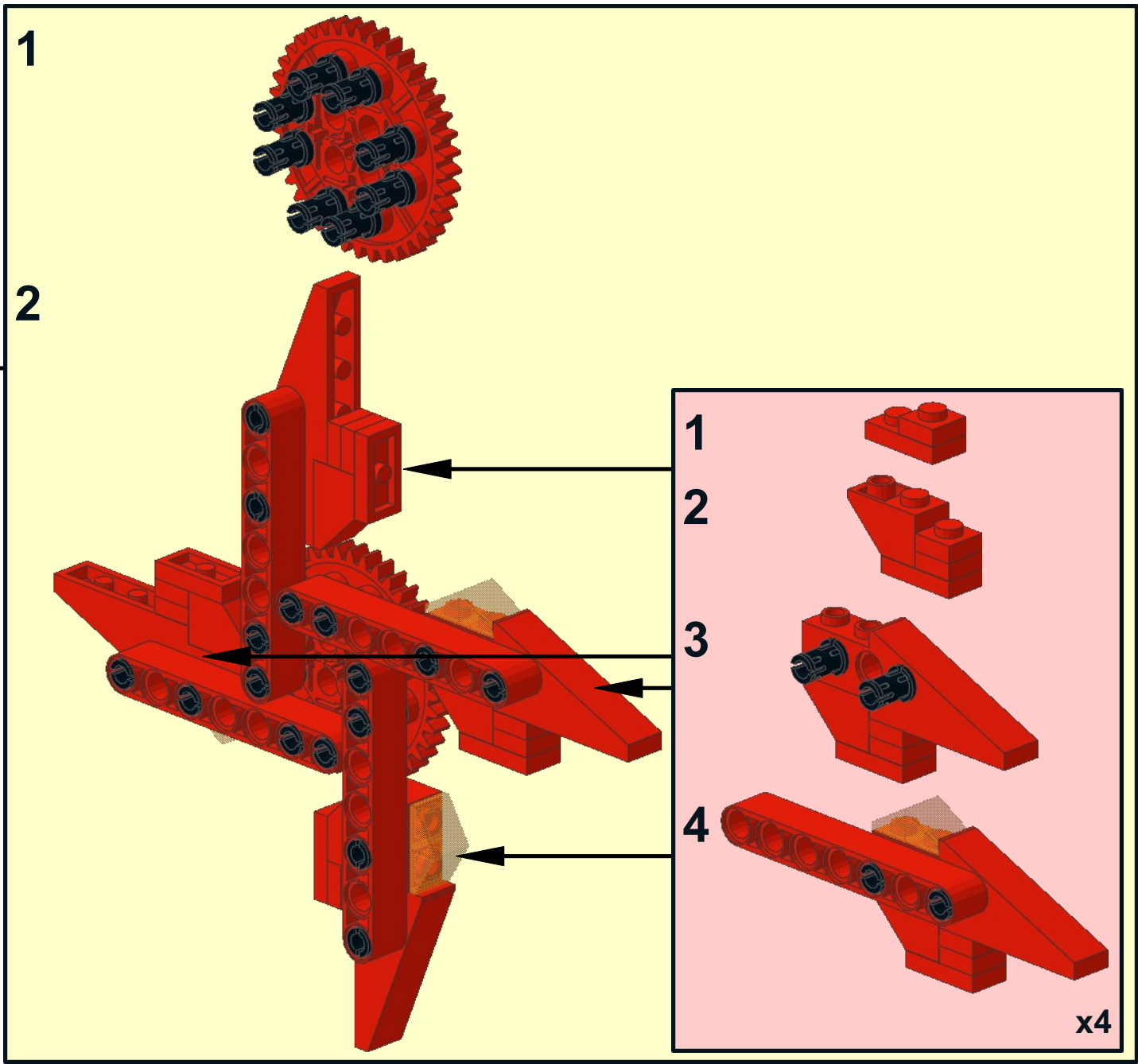
1

2

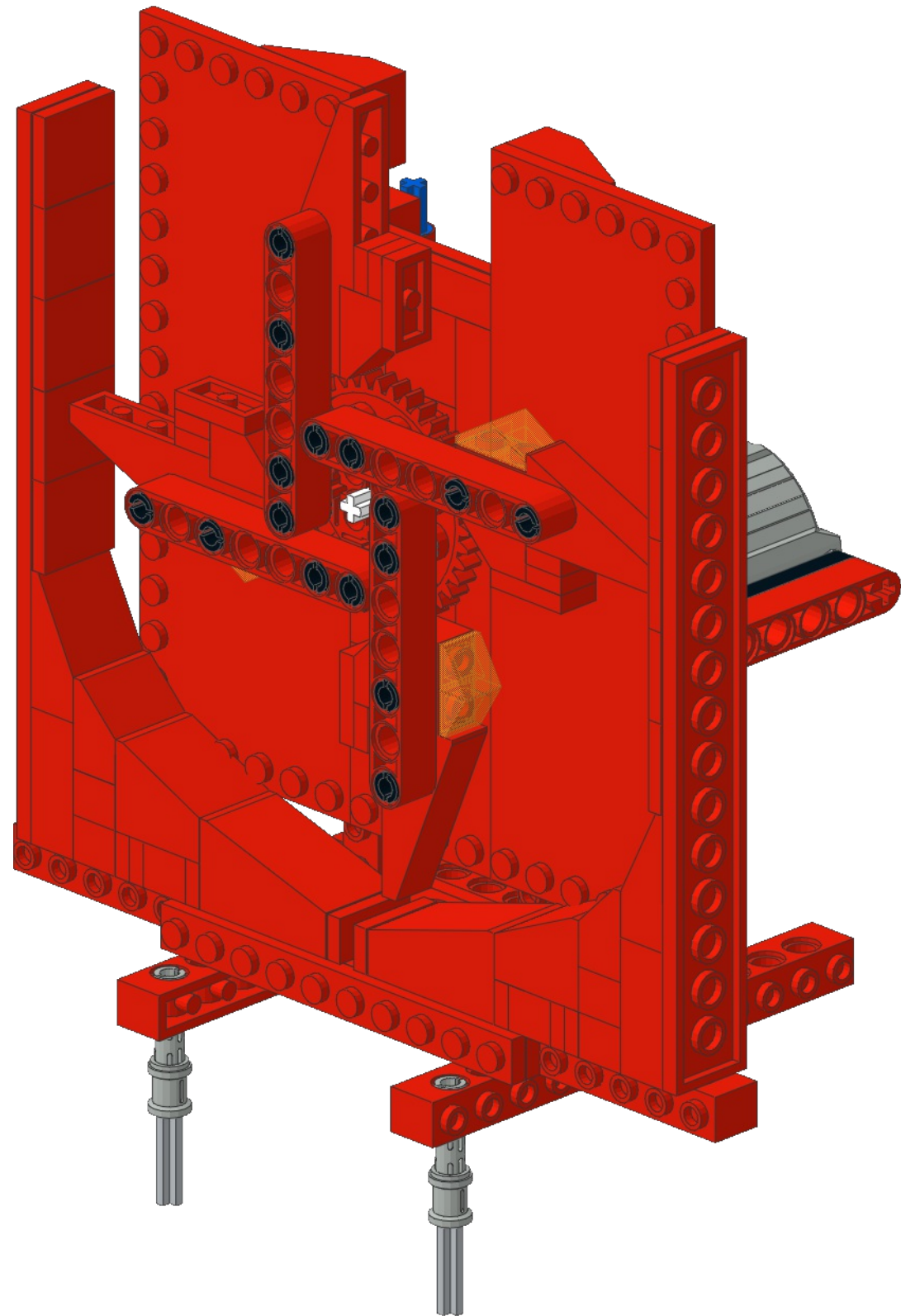
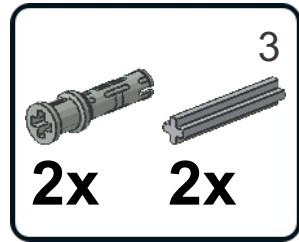
3

4

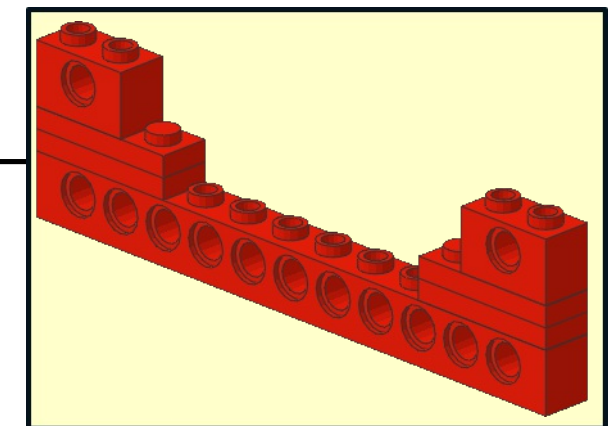
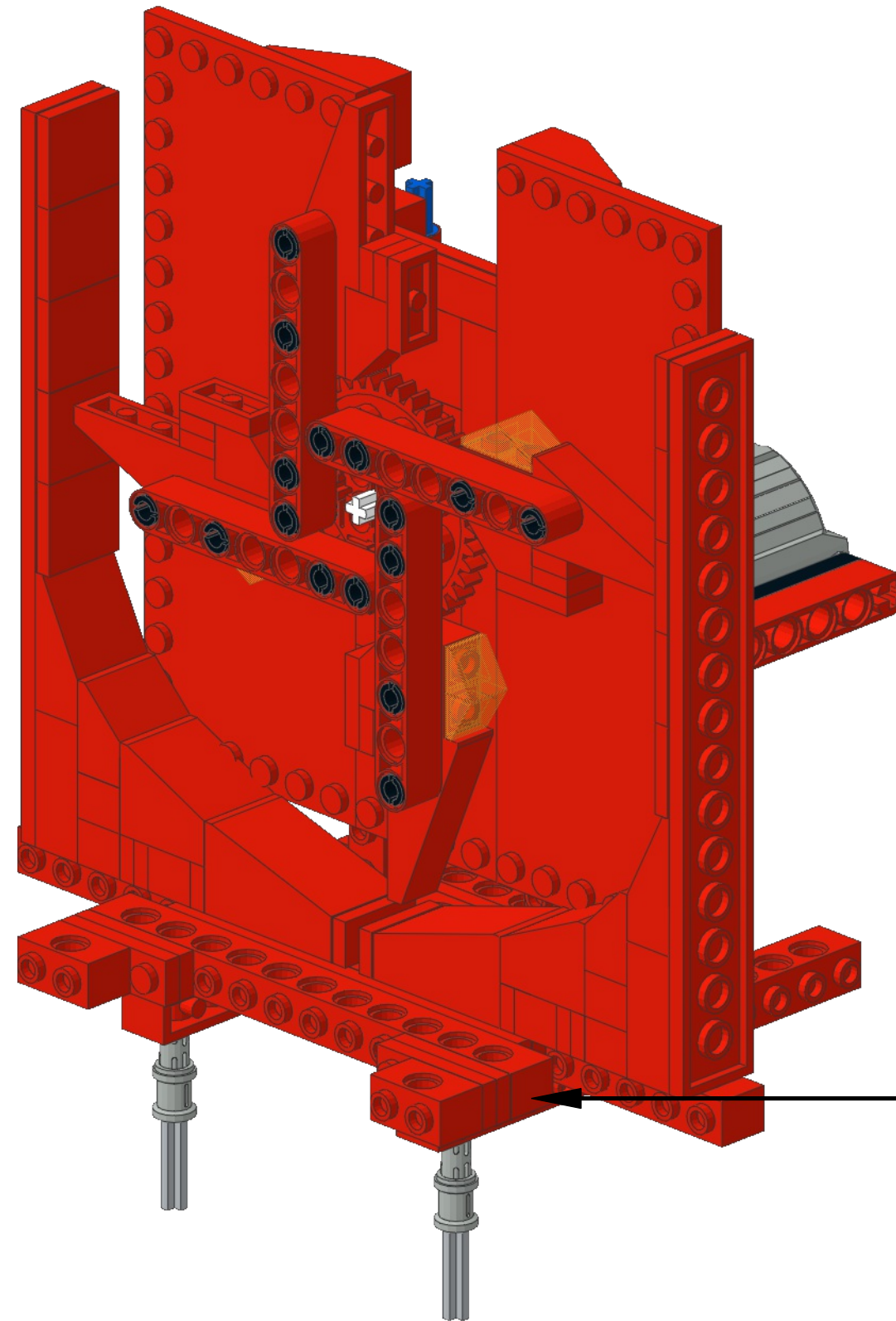
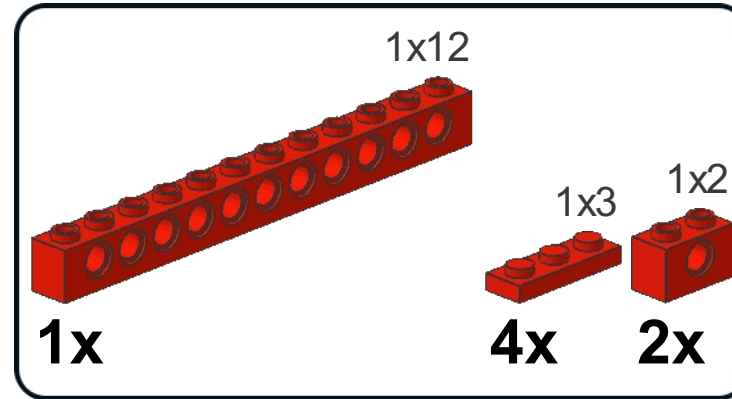
x4

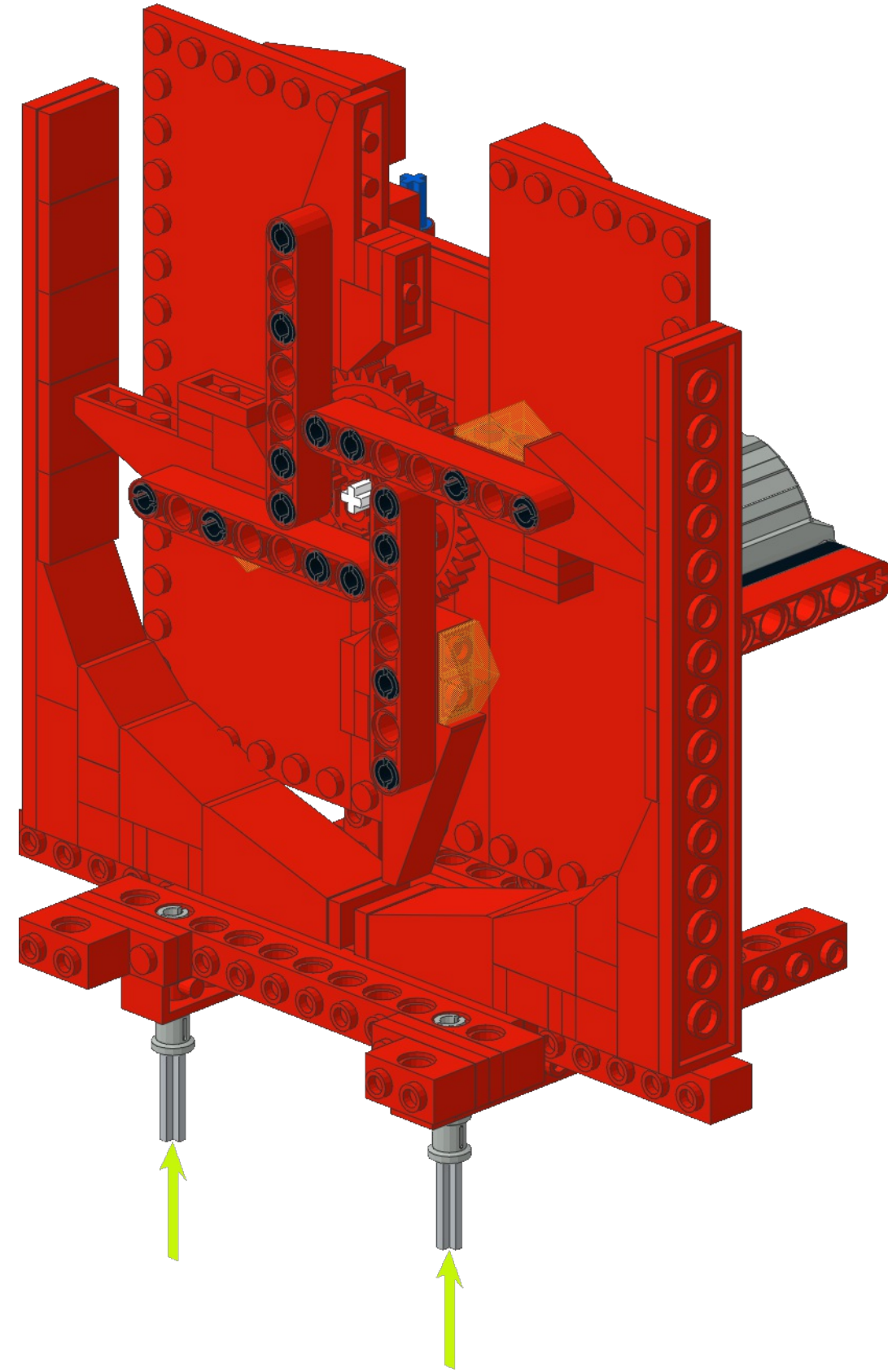


18



19





1

1x6
1x
6x6
1x

2

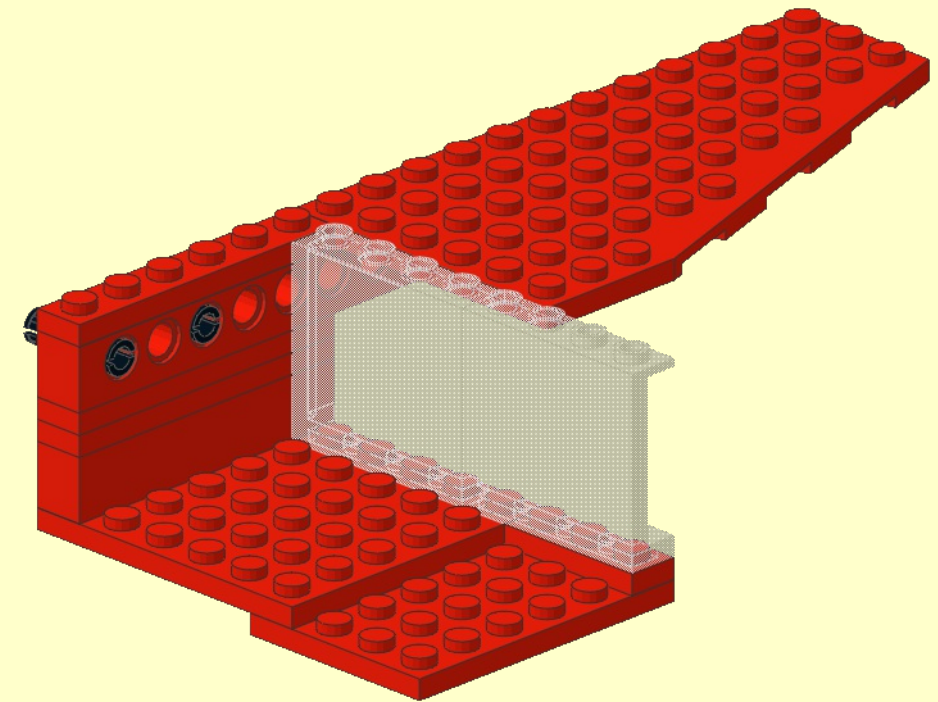
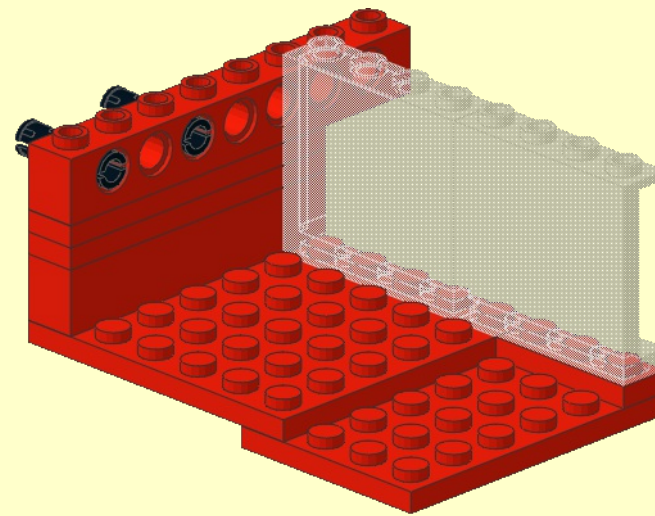
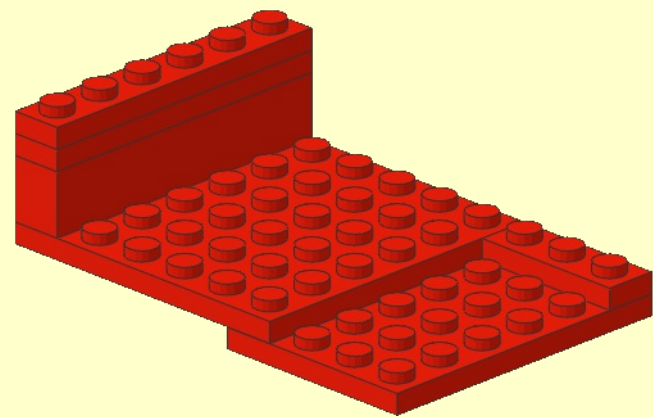
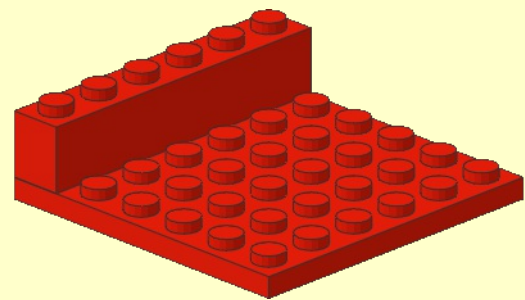
4x6
1x3
1x
1x6
1x
2x

3

1x8
1x4x3
1x
2x
2x

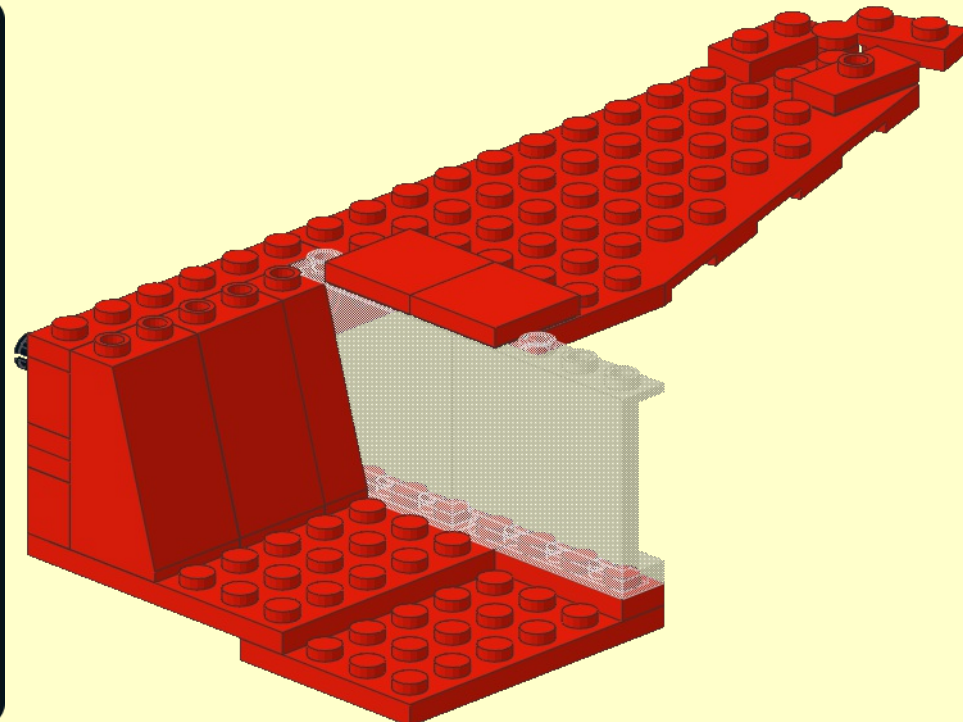
4

6x12
1x
1x6
1x



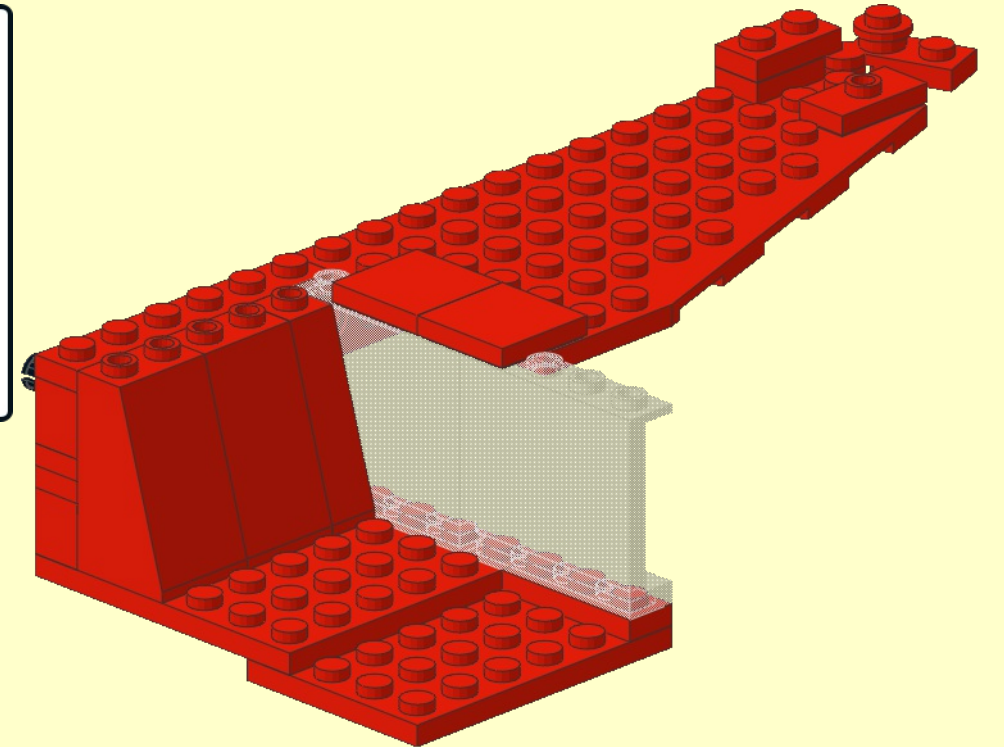
5

752x1x3
1x
1x2
1x
752x2x3
1x
2x2
2x
2x



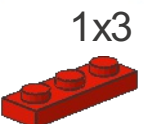
6

1x1
1x
1x2
1x




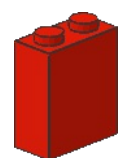
7

1x3
1x



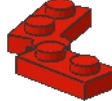
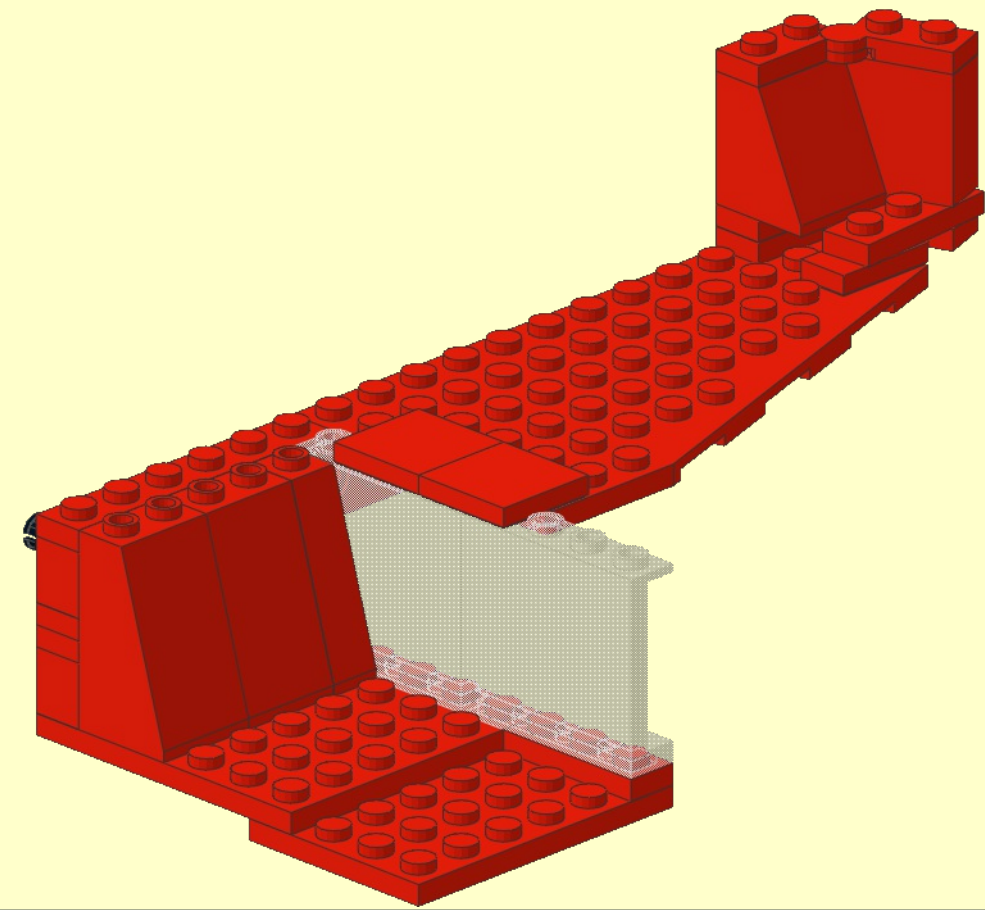
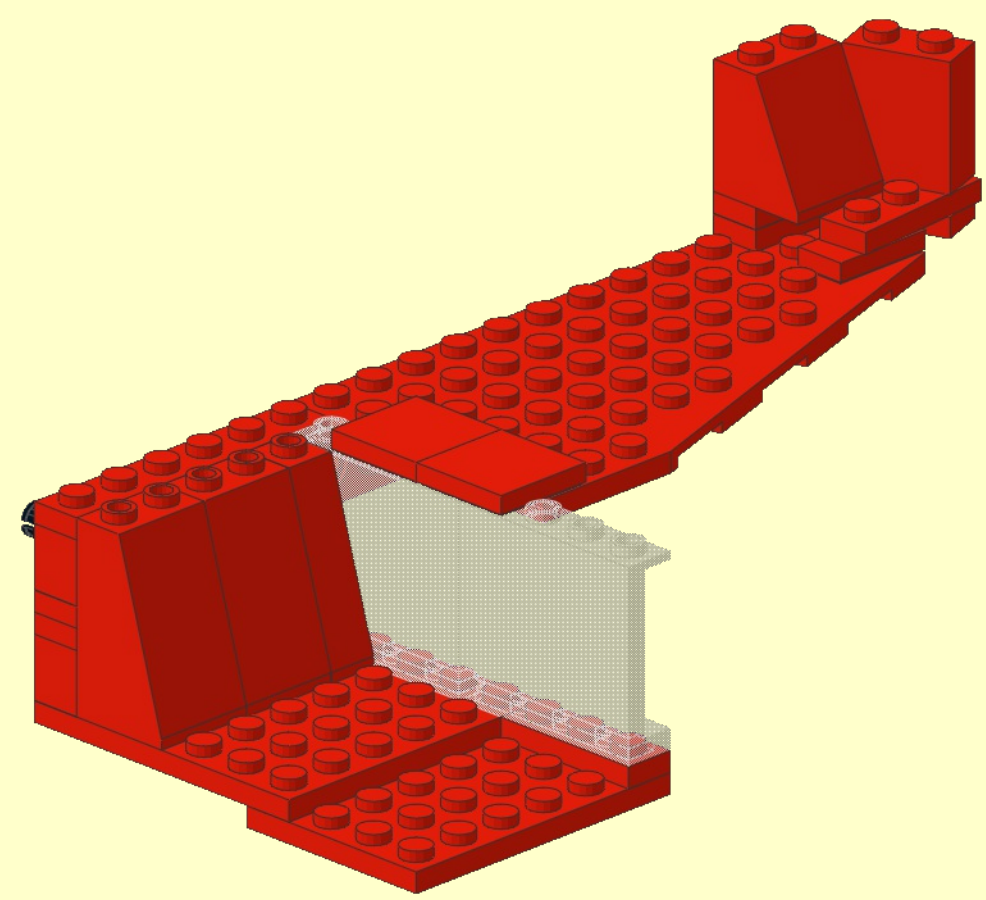
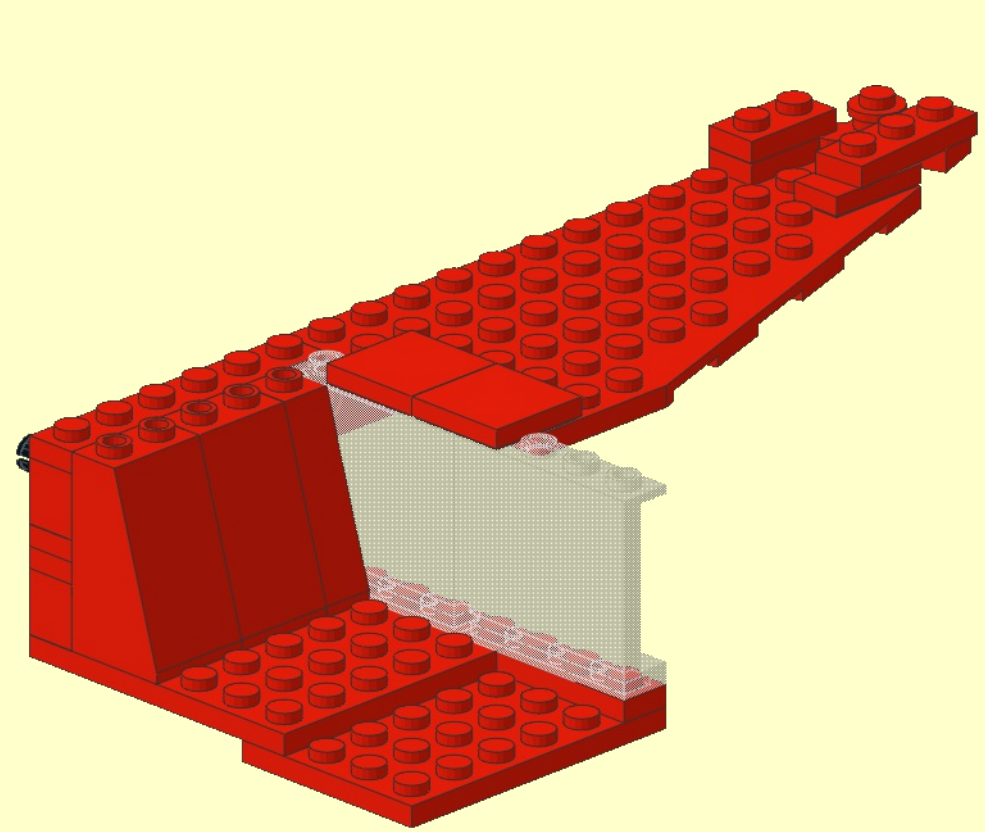
8

652x2x2 1x2x2
1x 1x

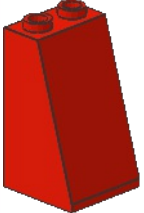
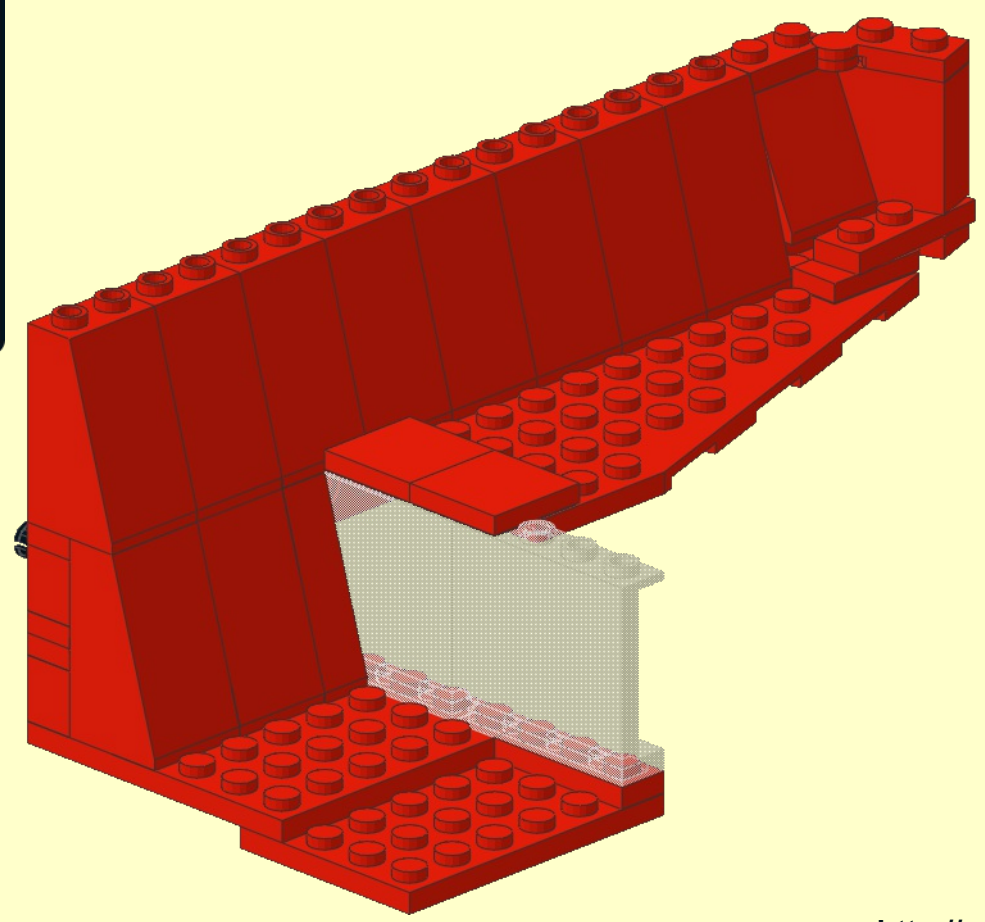
9

1x



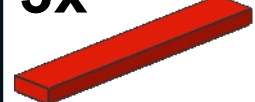
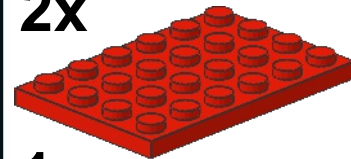
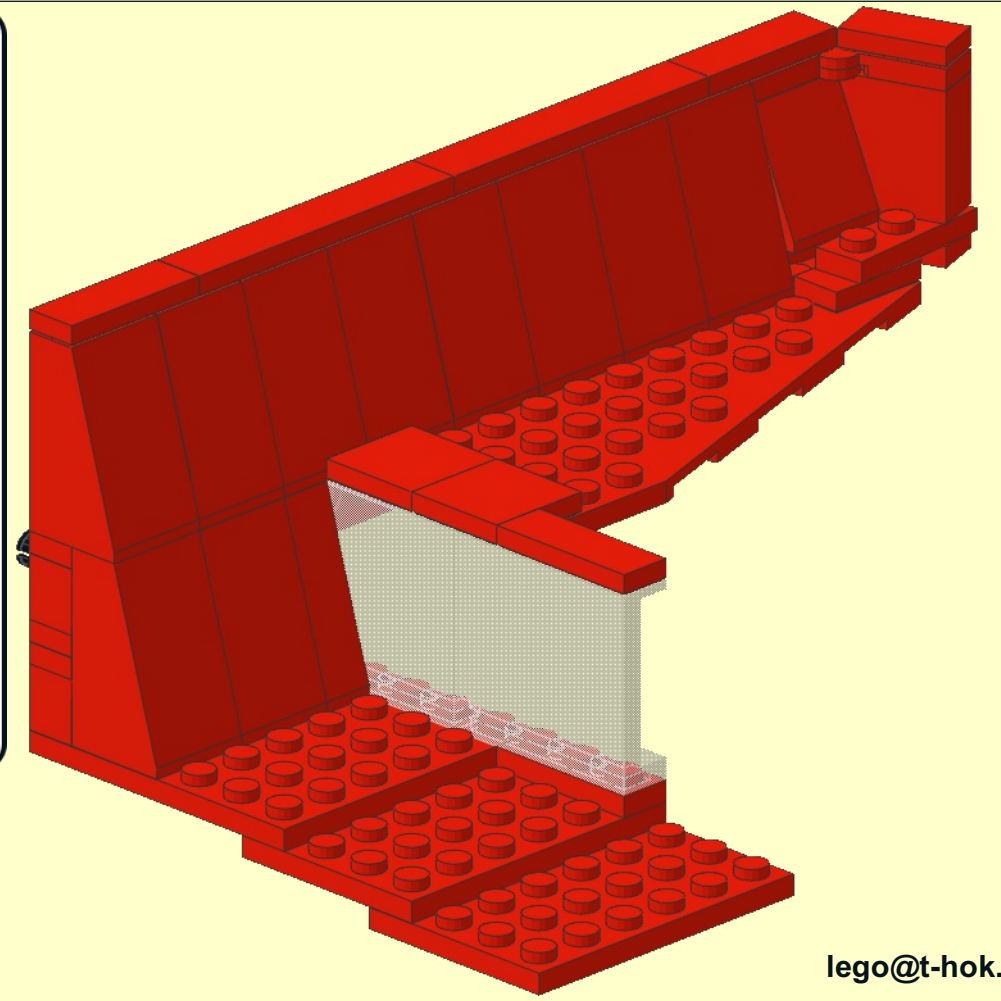
10

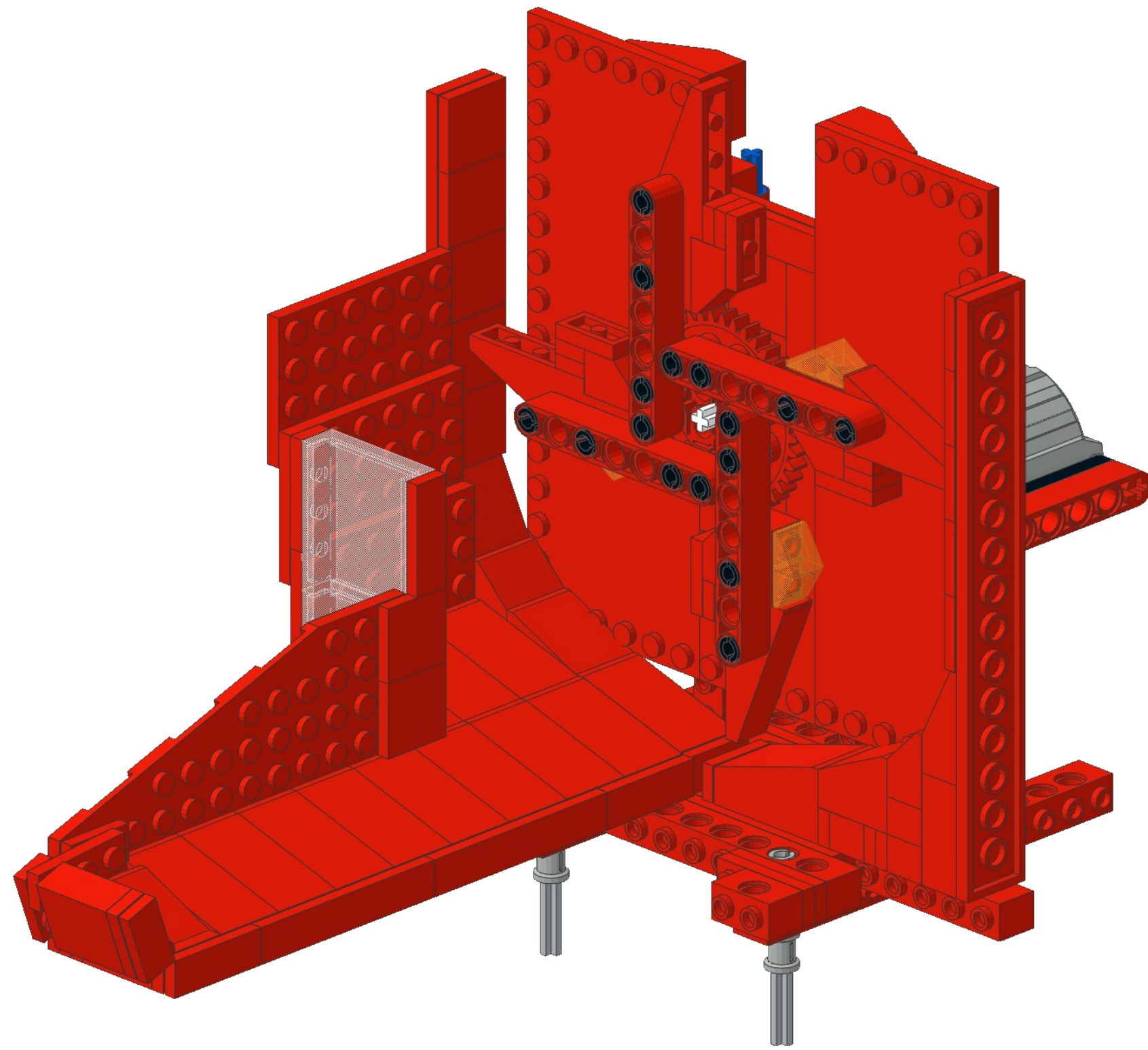
752x2x3
8x

11

1x2
1x
1x3
3x
1x6
2x
4x6
1x



1

1x6
1x
6x6
1x

2

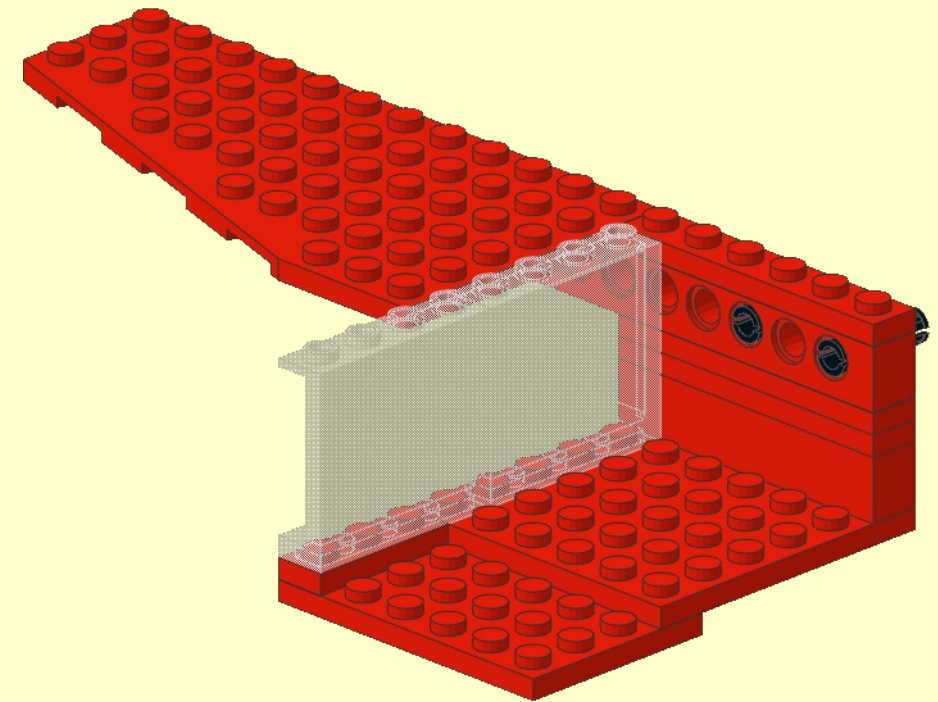
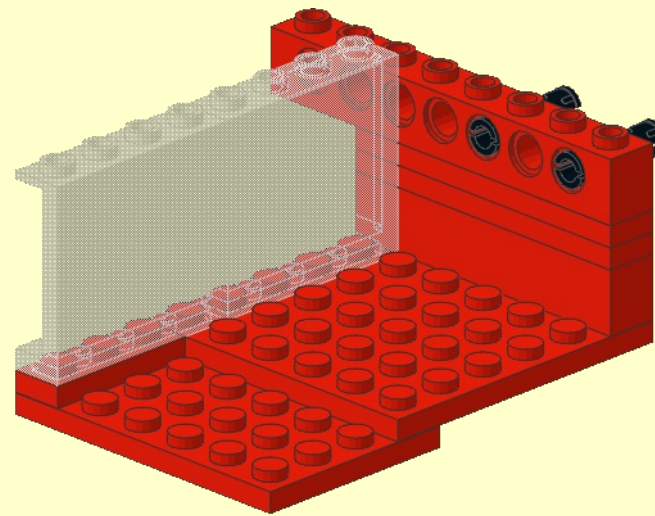
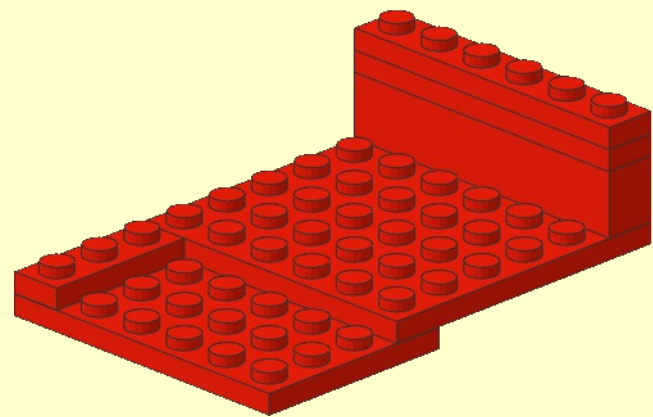
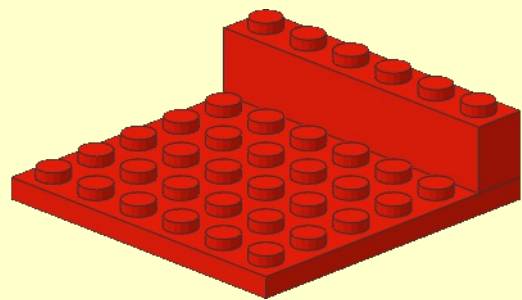
4x6
1x3
1x
1x6
1x
2x

3

1x8
1x4x3
1x
2x
2x

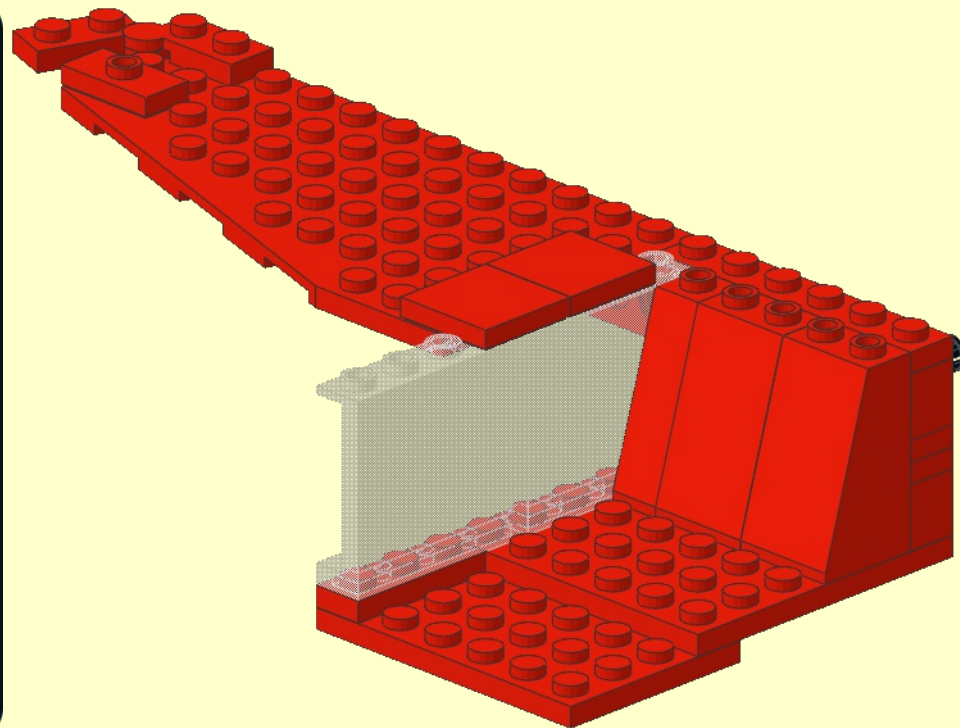
4

6x12
1x
1x6
1x



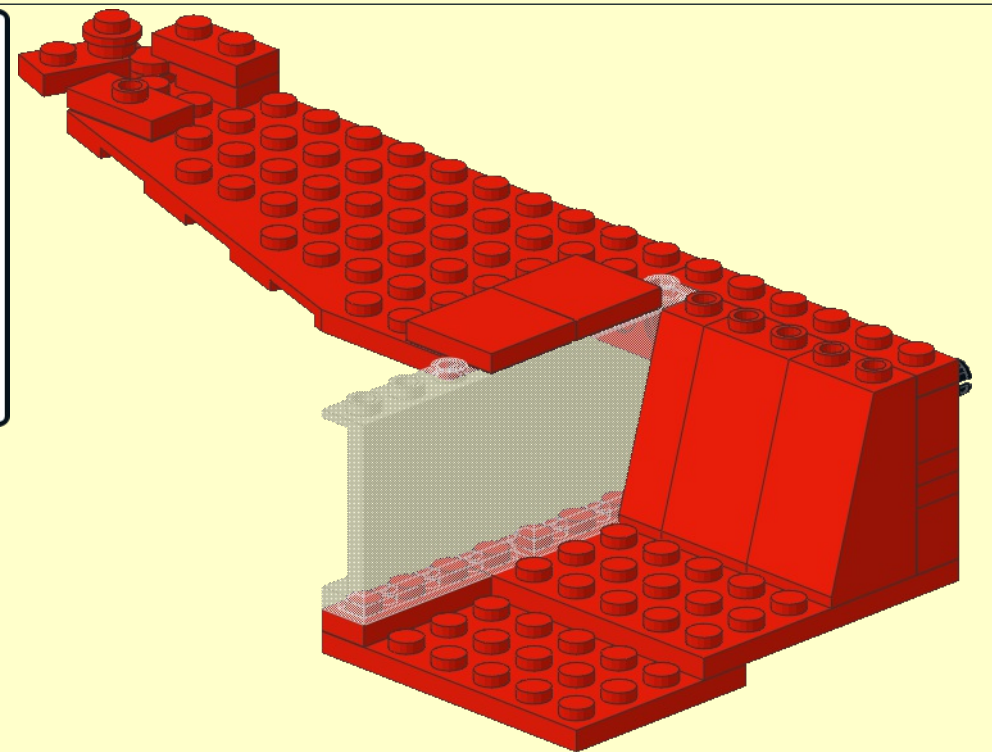
5

2x2
2x
752x2x3
1x2
1x
752x1x3
2x
1x
1x



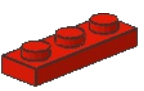
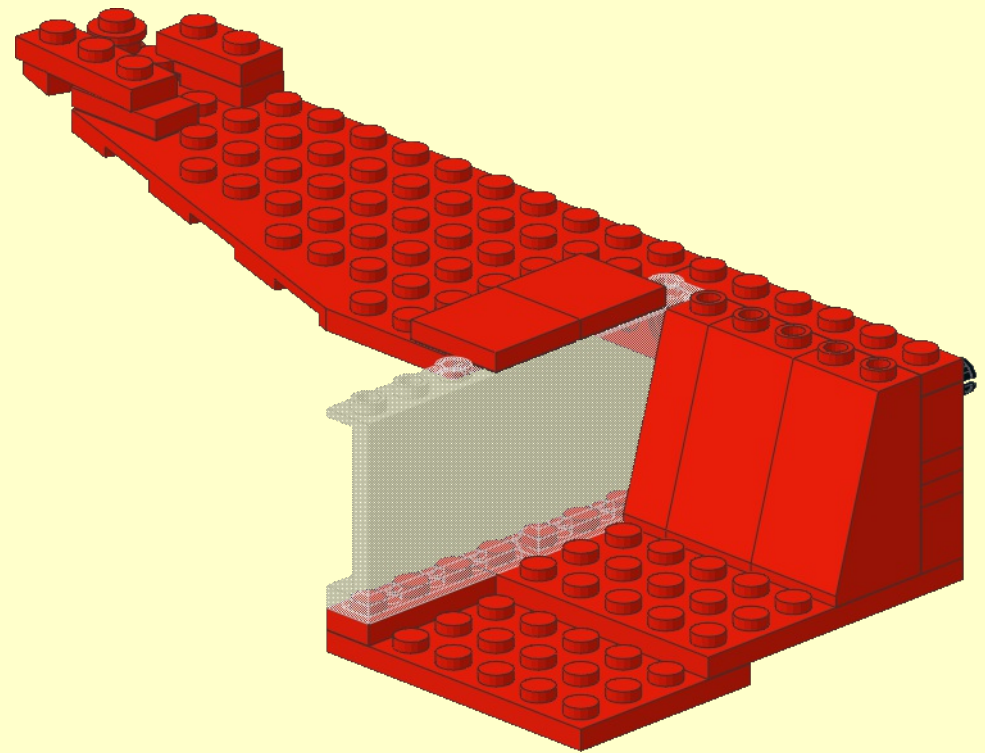
6

1x1
1x
1x2
1x




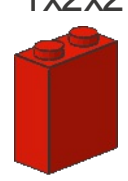
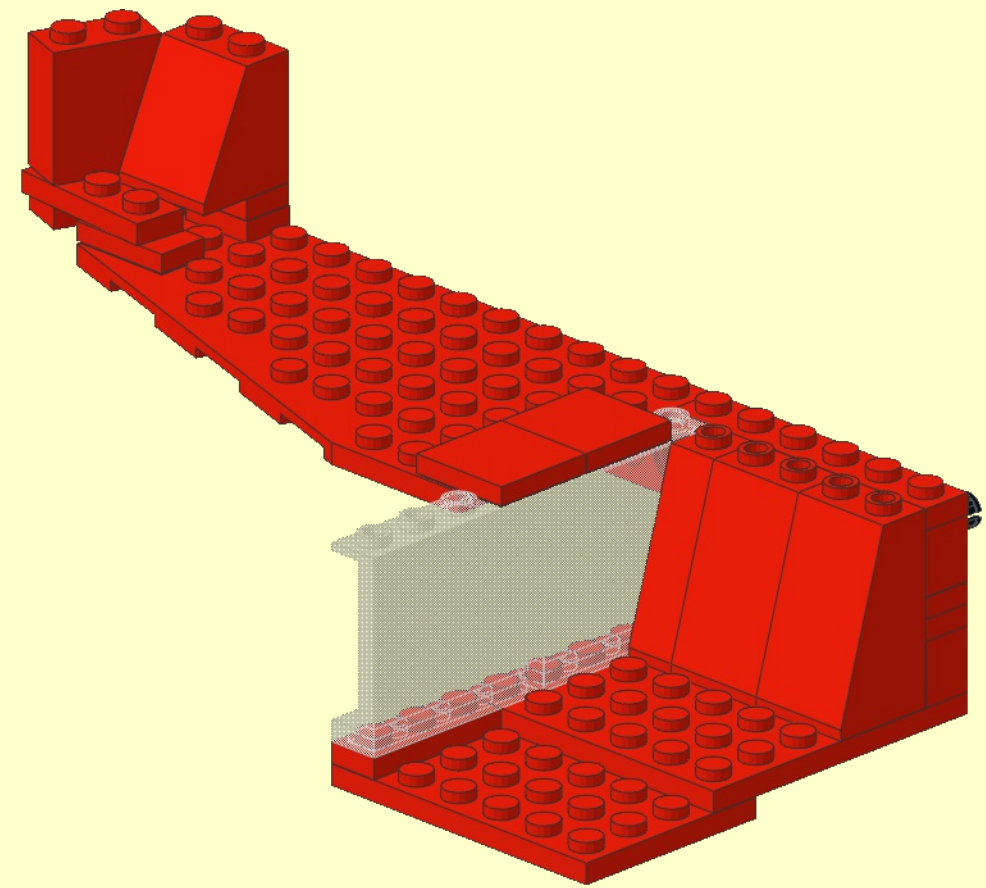
7

1x3
1x


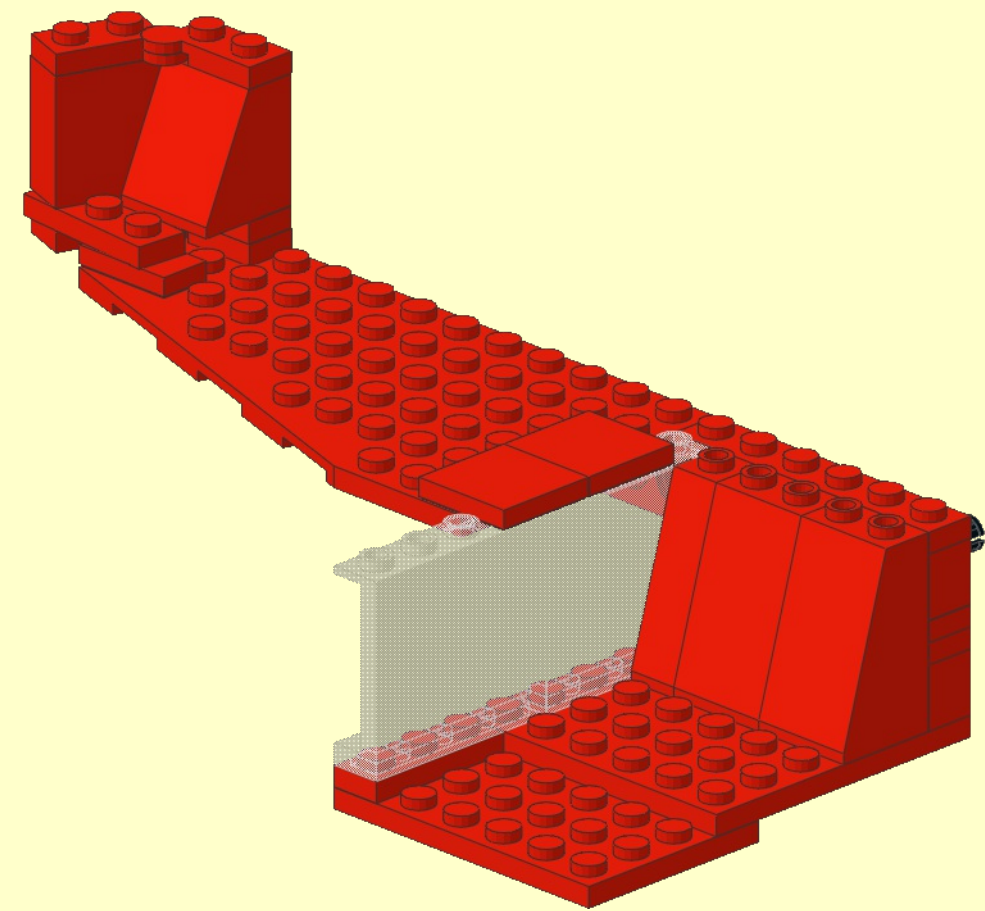
8

652x2x2 1x2x2
1x 1x

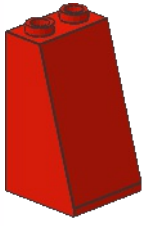
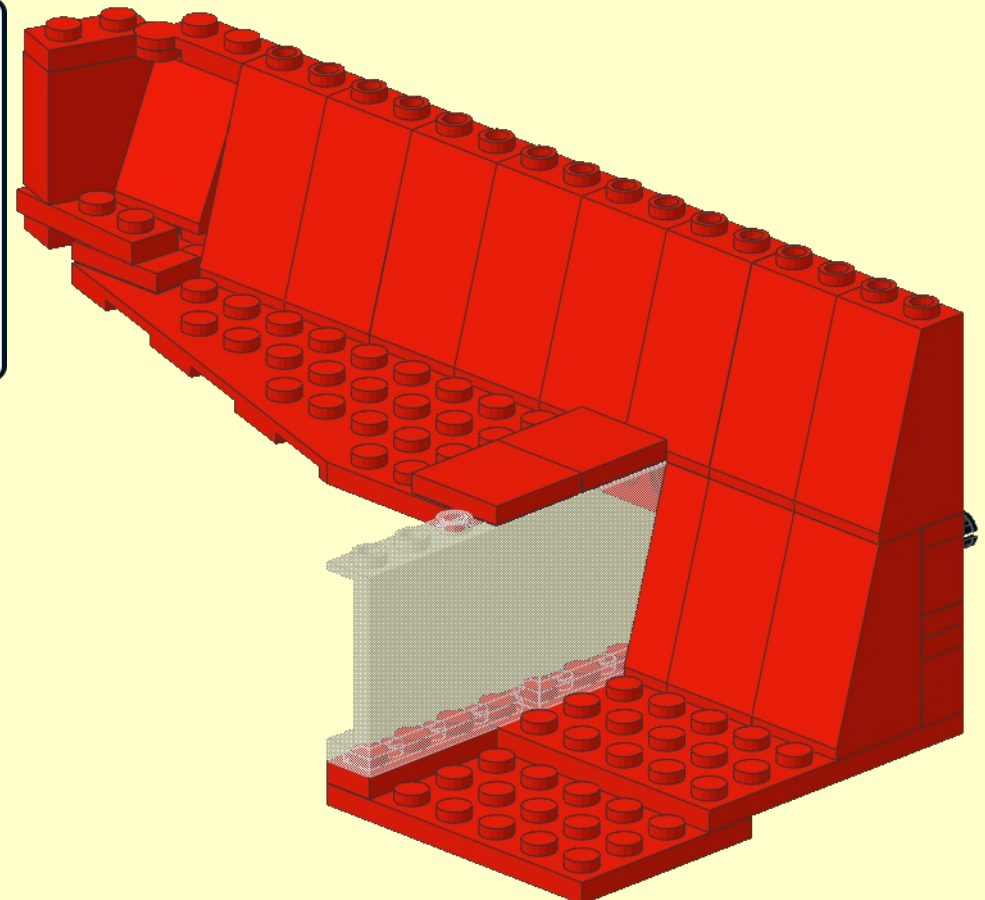
9

1x

10

752x2x3
8x




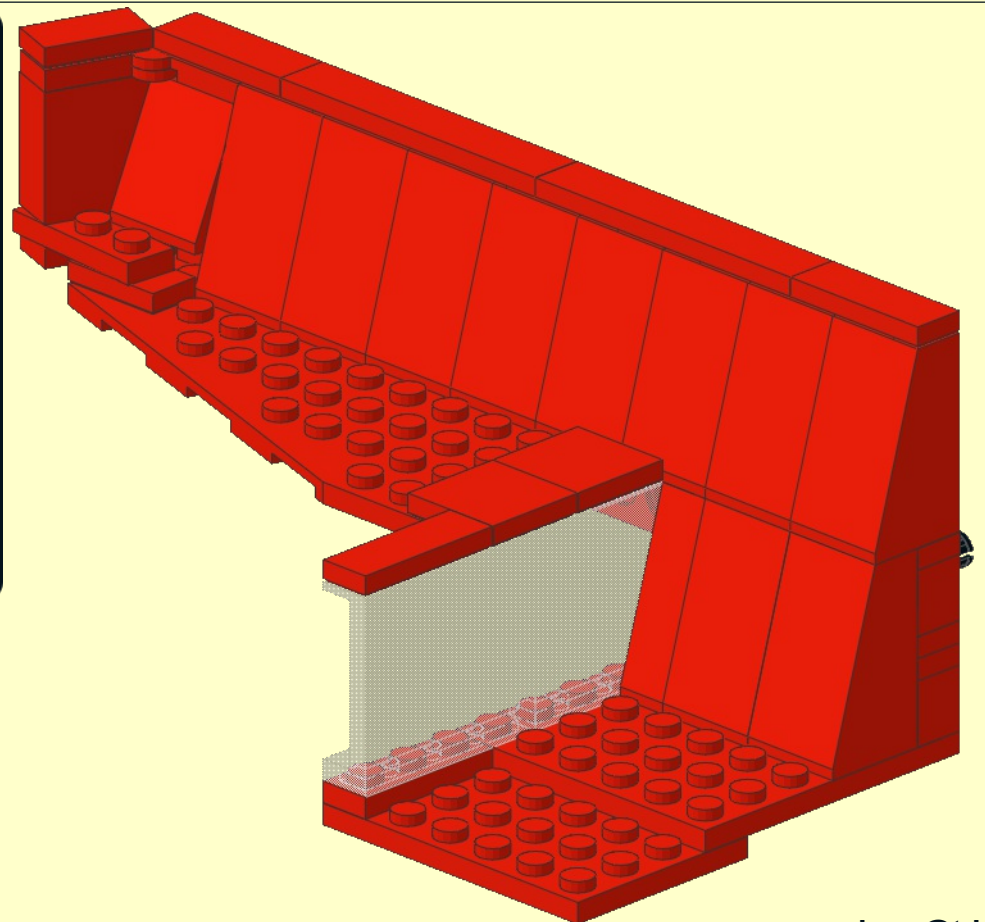



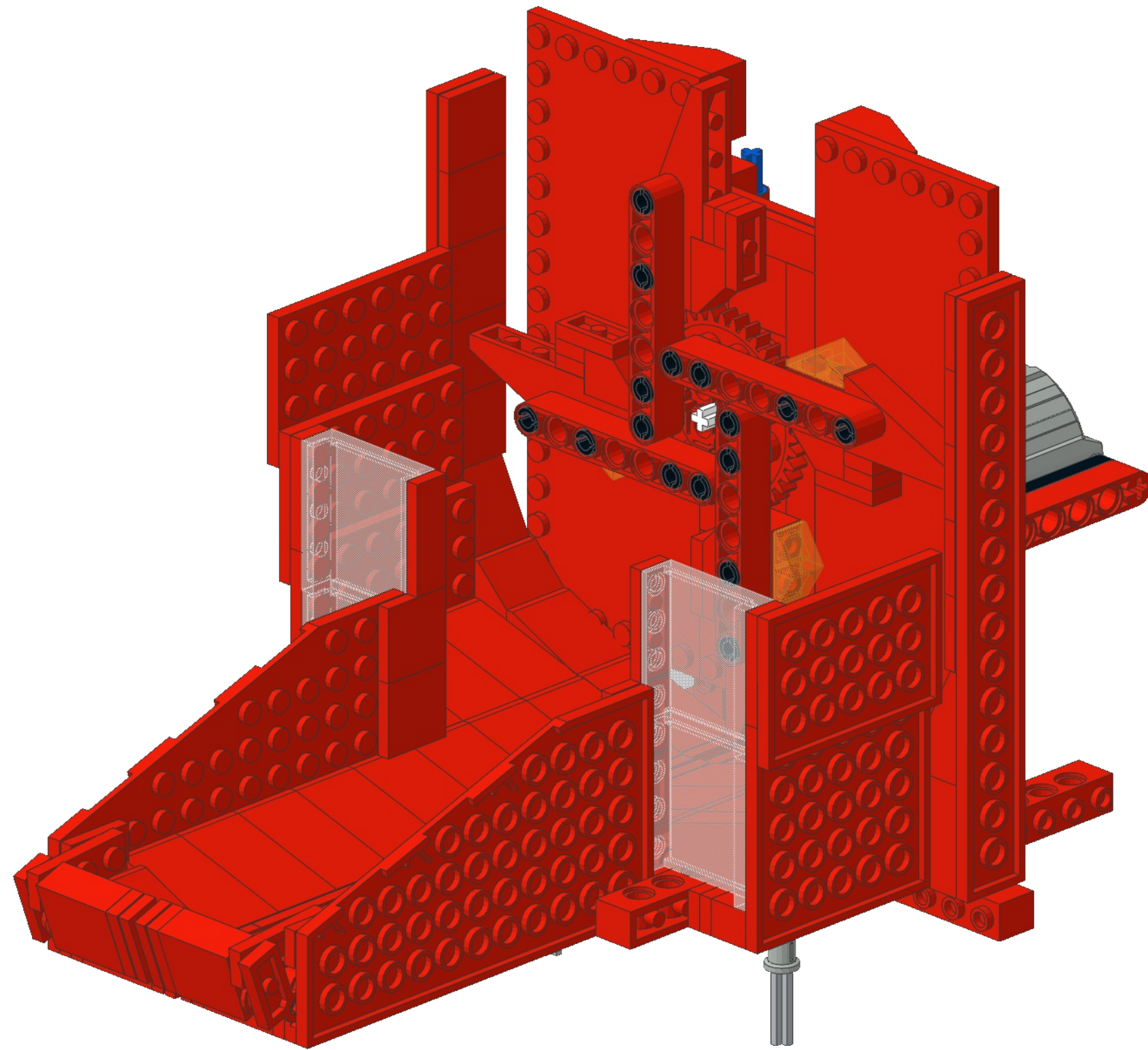
11

1x2
1x

1x3
3x

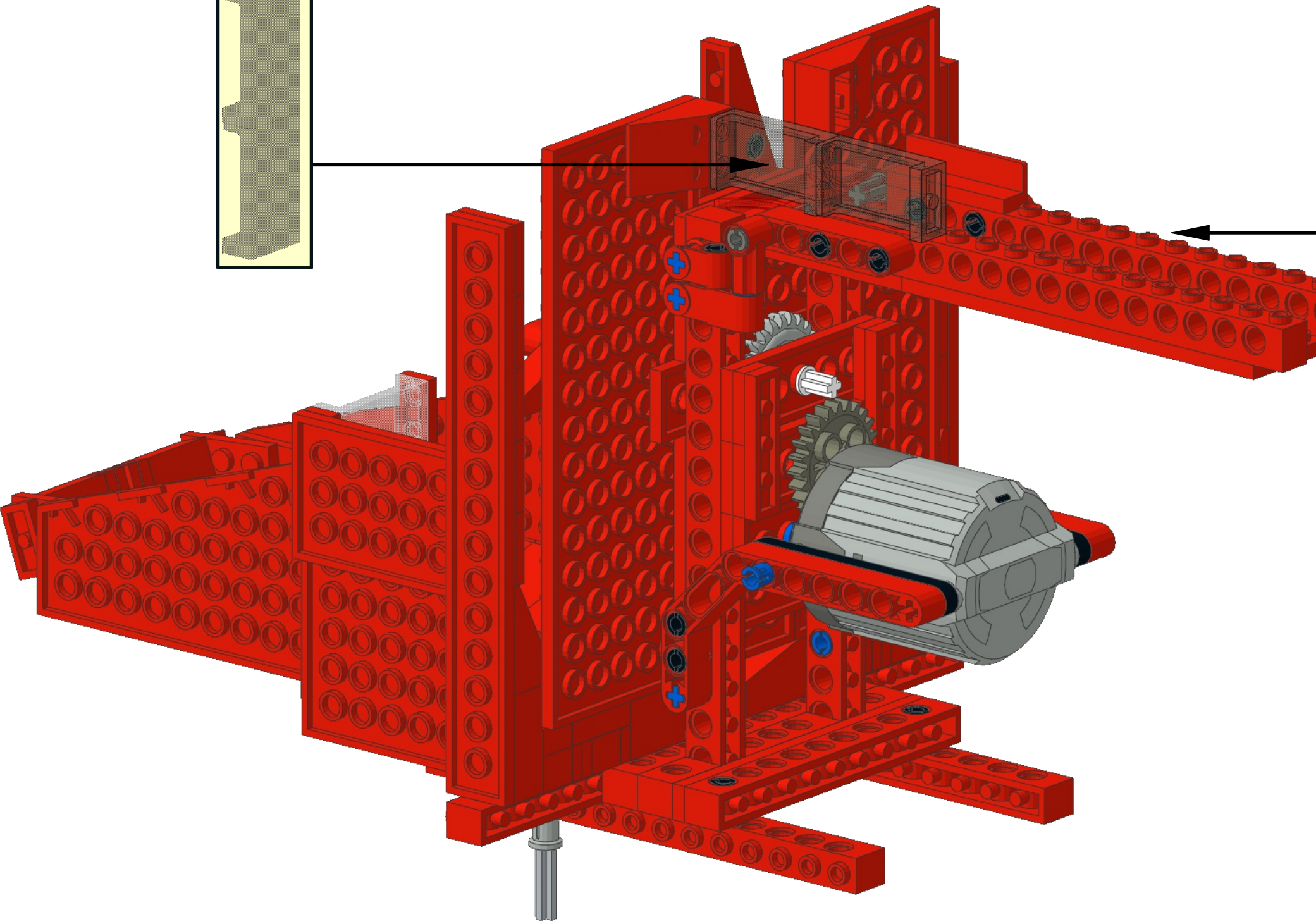
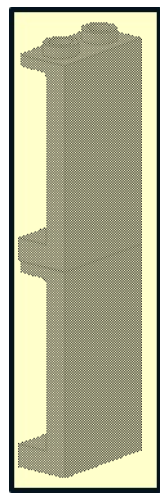
1x6
2x



23

1x4
1x
2x
1x16
2x2
2x
1x
4x12
2x
1x
4x6
2x
1x
1x4x1
1x
2x
1x2x3
#1
2x



- 1
- 2
- 3
- 4
- 5
- 6

rood-met-roodwiel

Model instructions by Maico Arts

Copyright © 2016

<http://www.greatballcontraption.nl>

lego@t-hok.nl

**LEGO® is a registered trademark of the LEGO Group,
which does not sponsor, endorse, or authorize these
instructions or the model they depict.**

**Instructions configured and generated using LPub3D 2.0.7.770.4
Download LPub3D at <http://sourceforge.net/projects/lpub3d/>**

