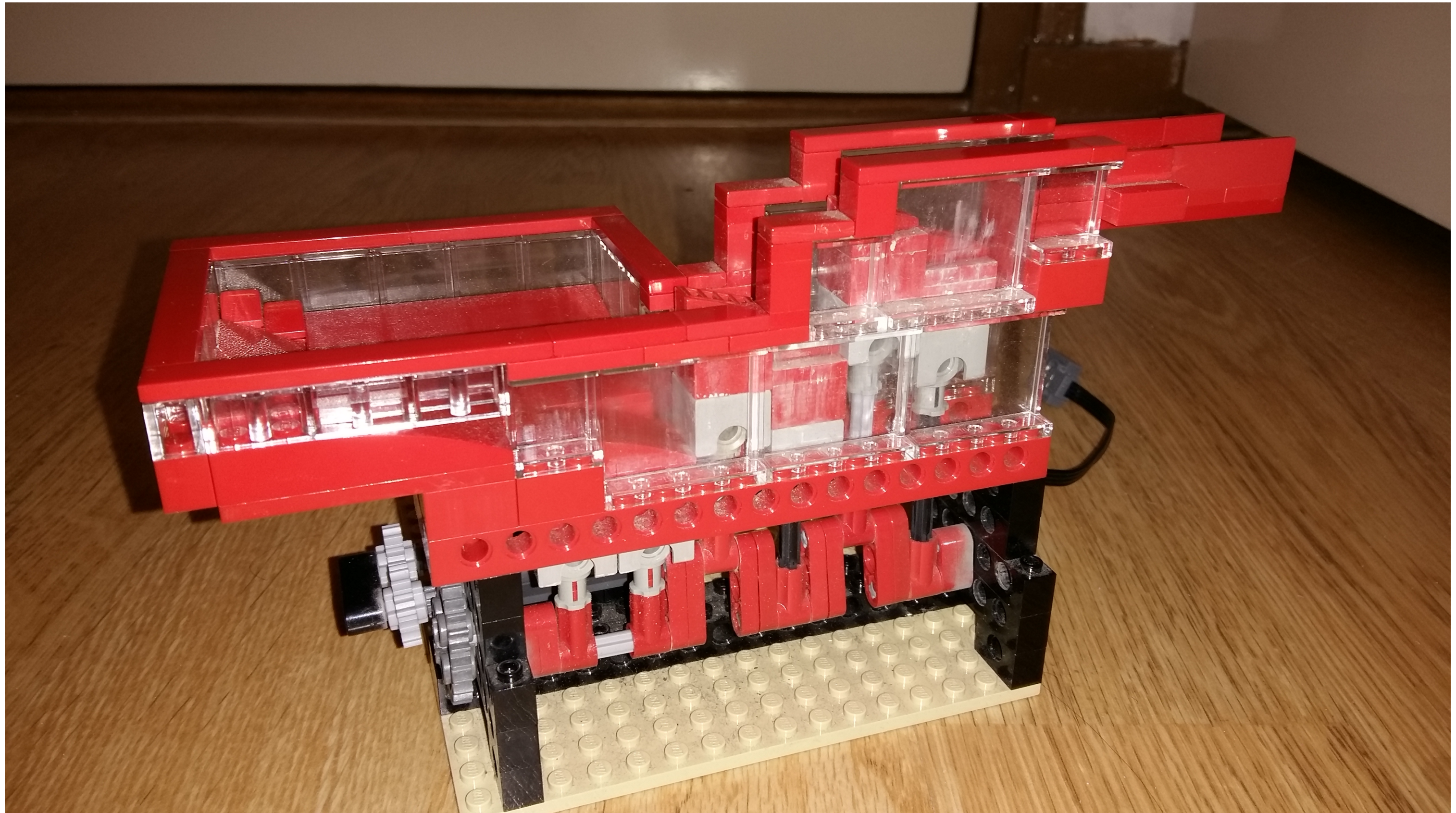
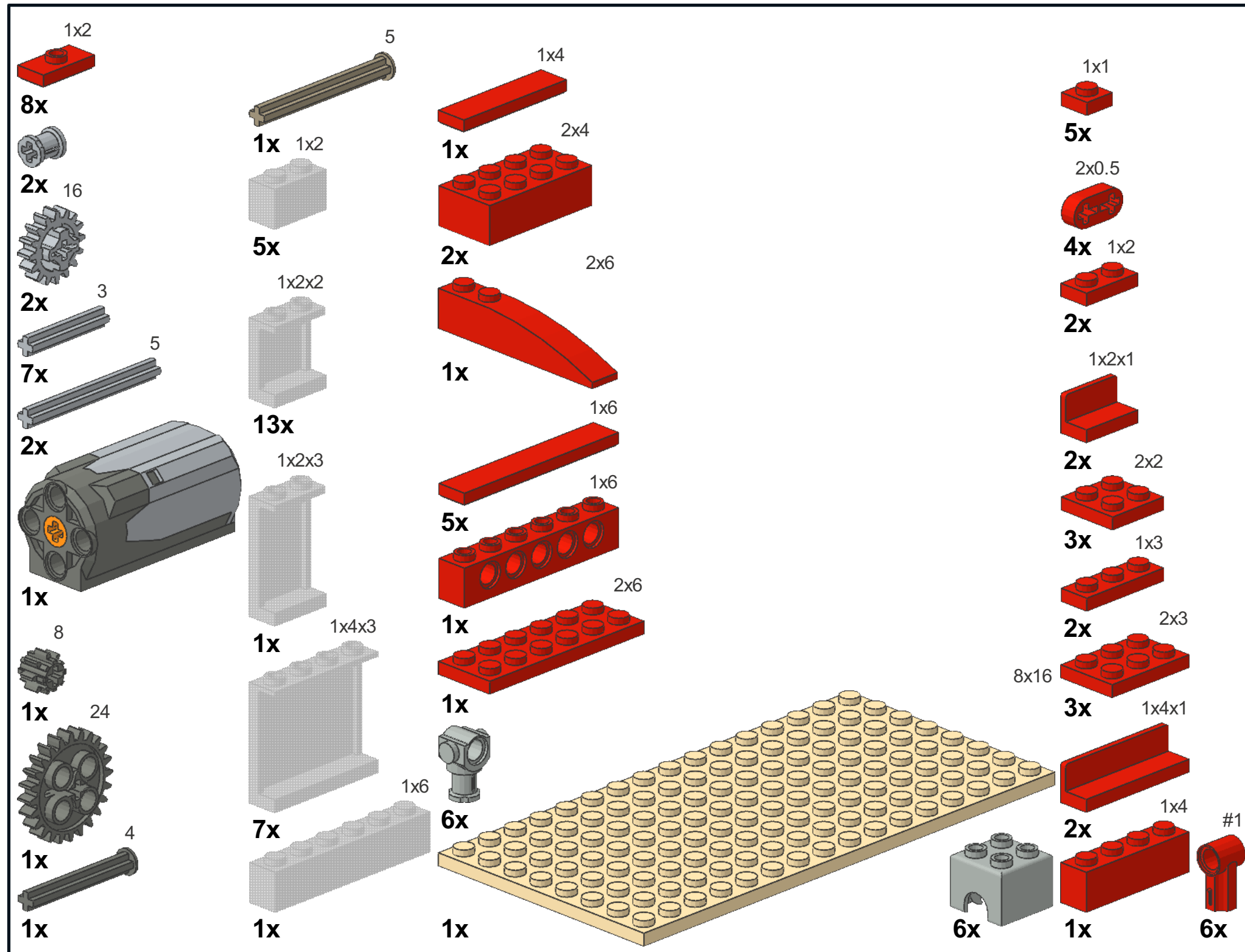


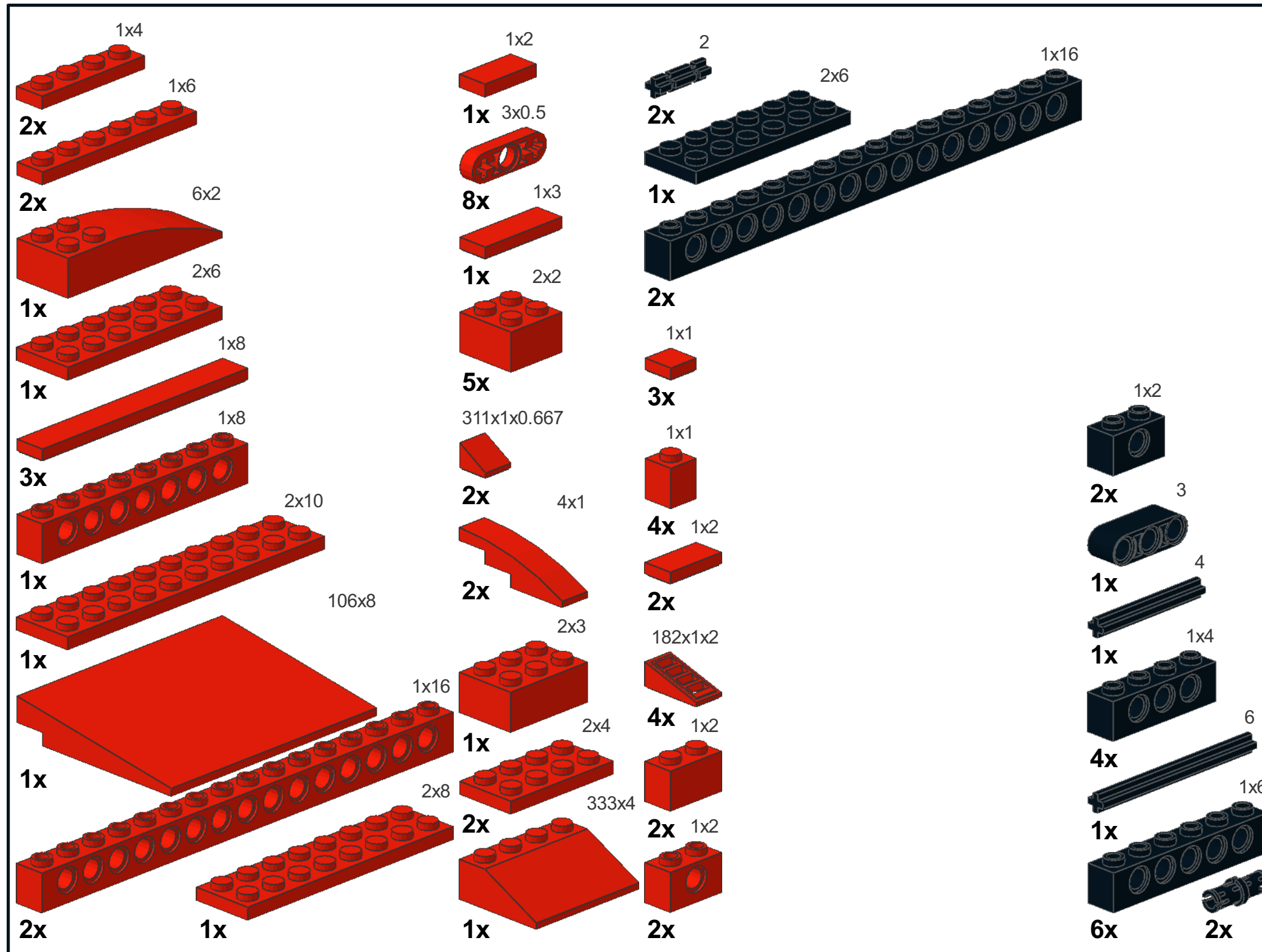
Rode Zuiger Lift

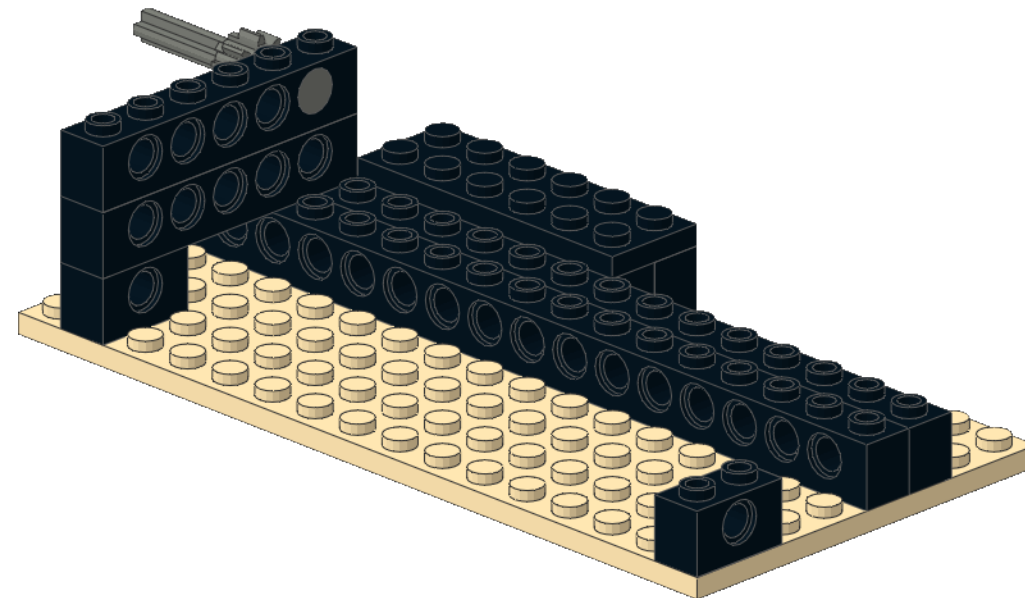
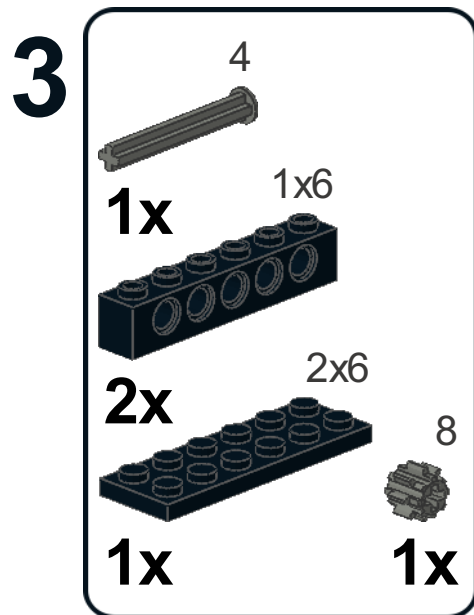
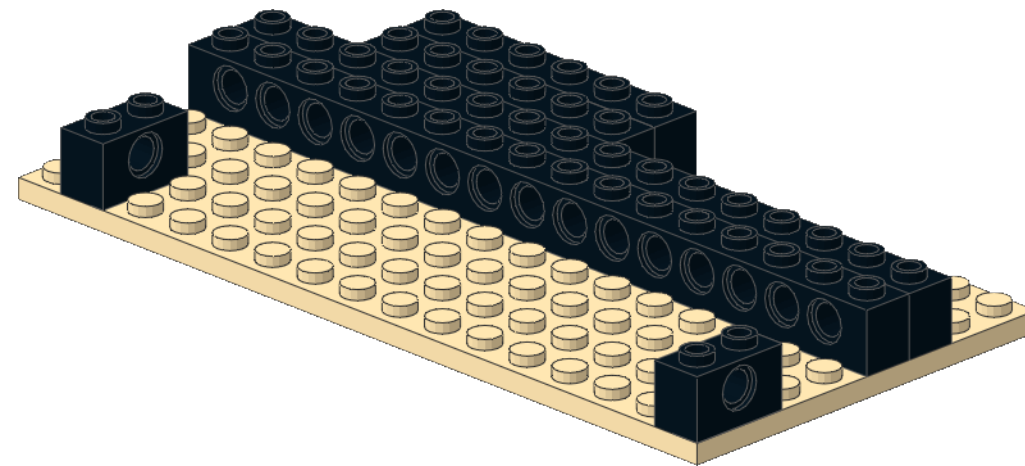
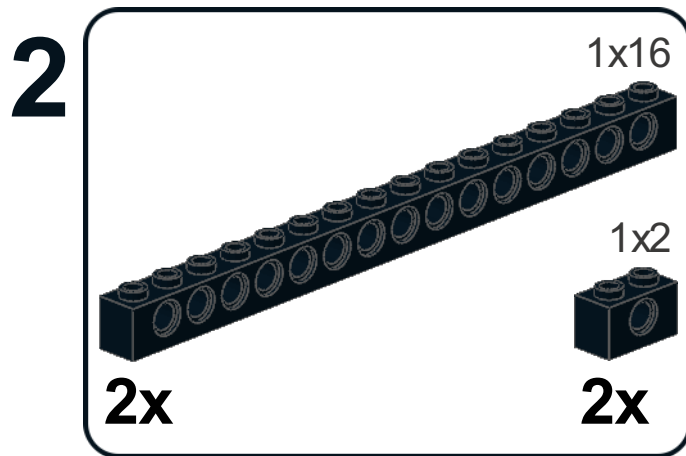
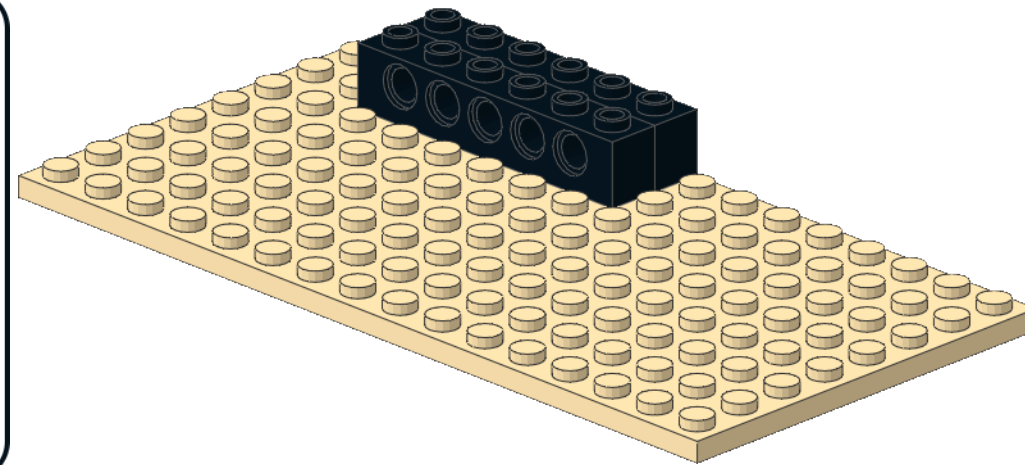
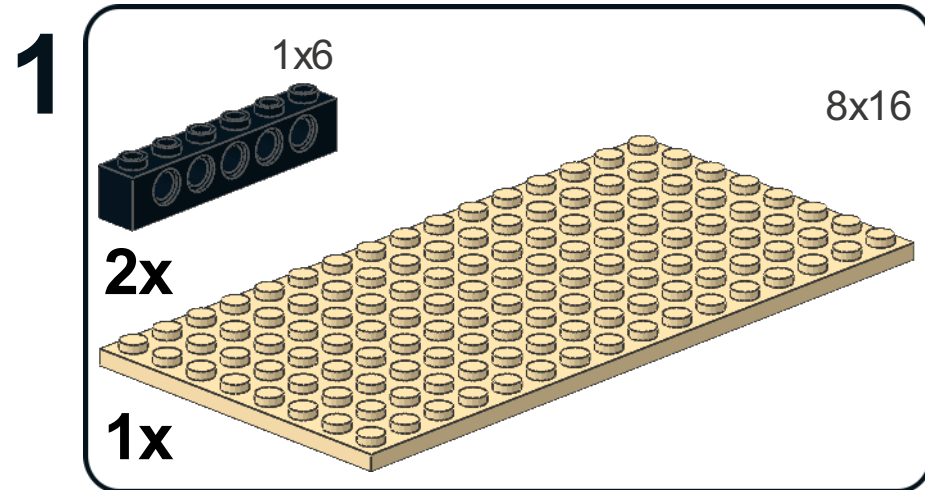
Model instructions by Maico Arts

184 Pieces

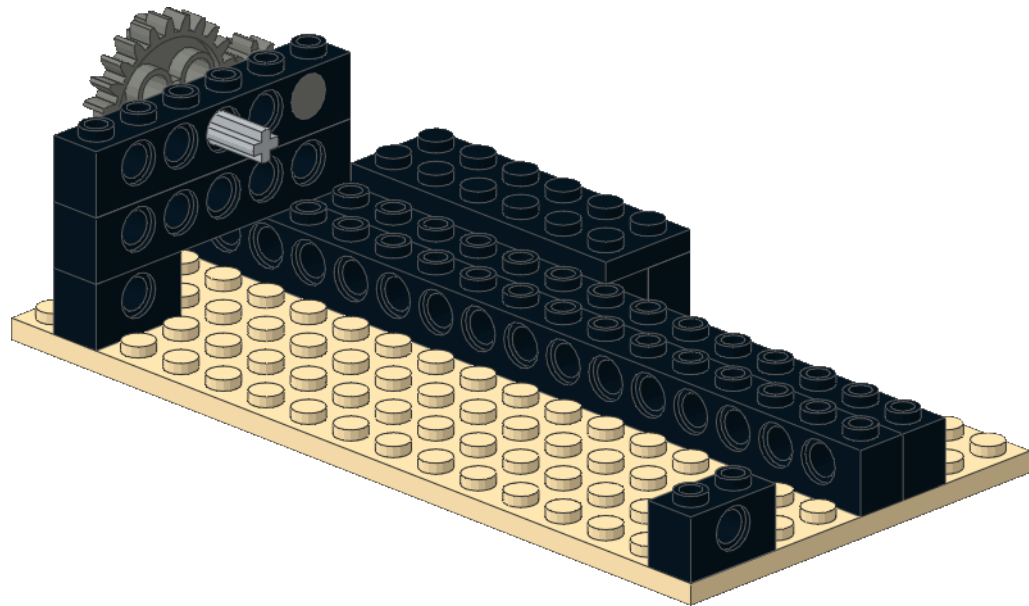




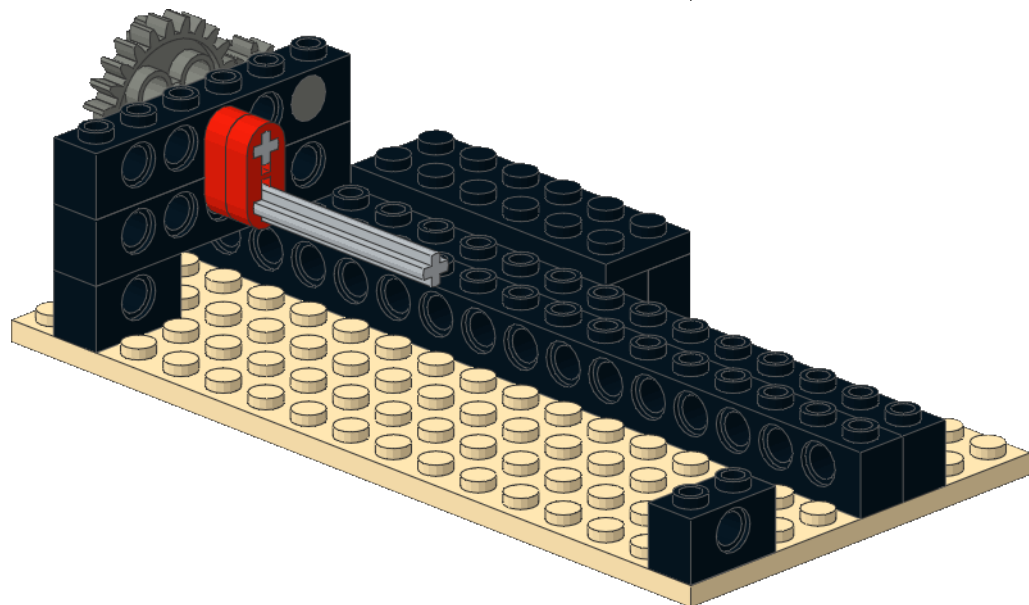




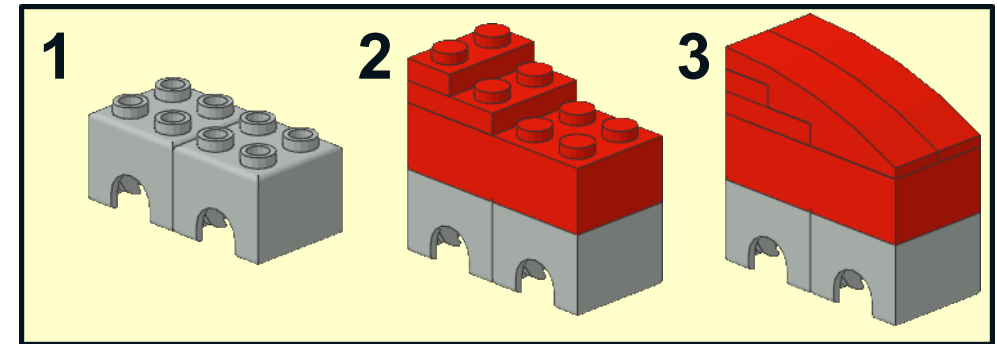
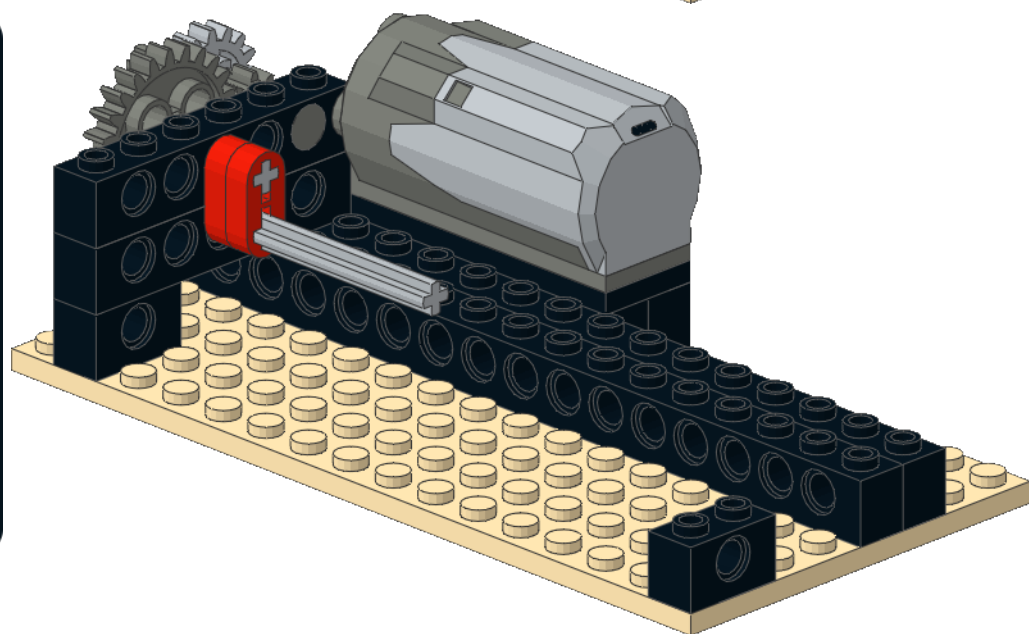
- 4**
- 3
1x
 - 24
1x



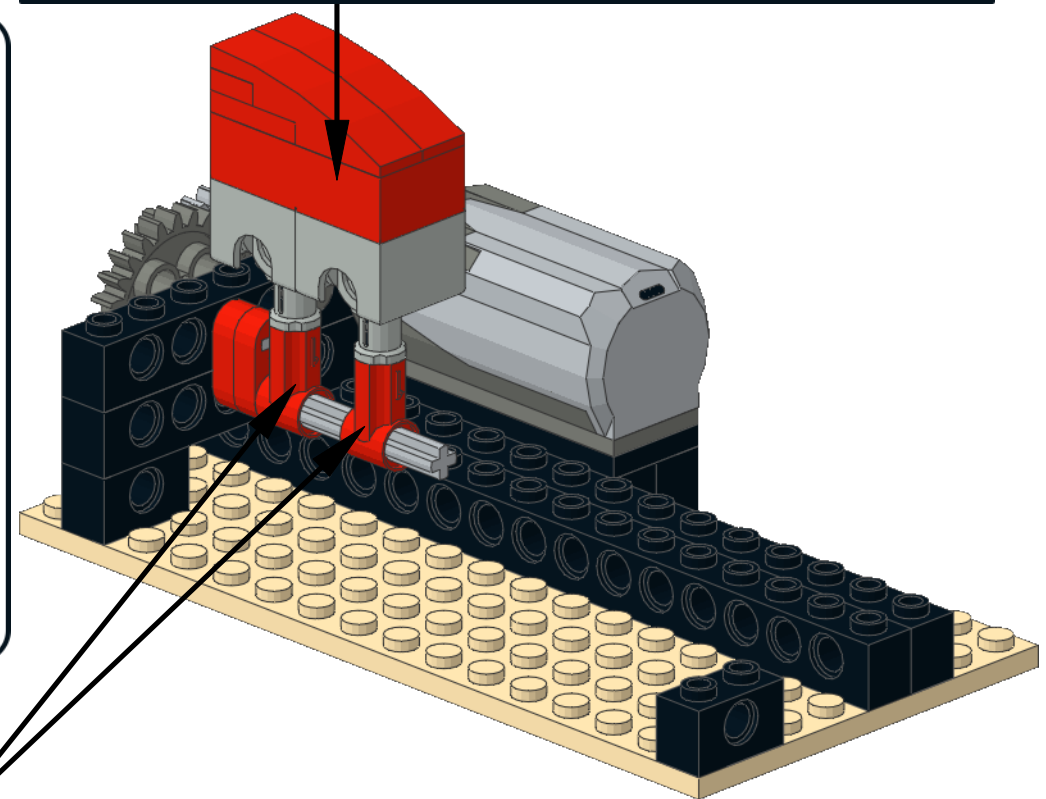
- 5**
- 2x0.5
2x
 - 5
1x



- 6**
- 16
1x
 - 1x



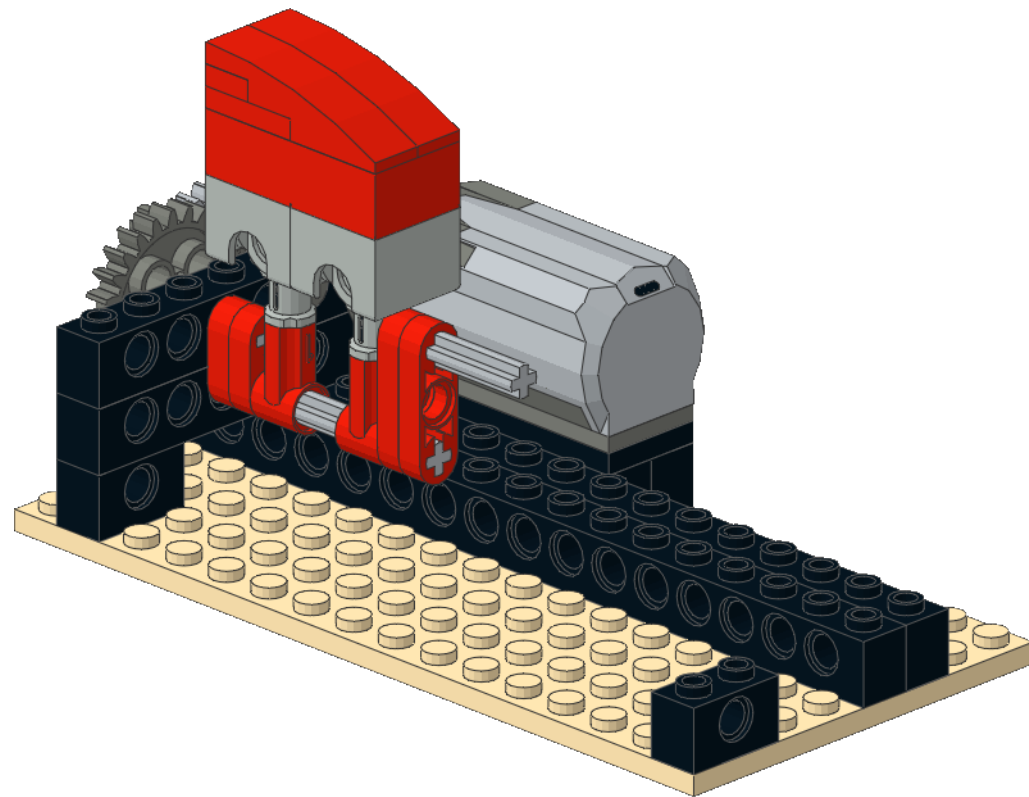
- 7**
- 2x2
1x
 - 4x1
2x
 - 2x4
1x
 - 2
2x
 - 1x2
1x
 - #1
2x
 - 2x



- 1**
- 2
 - x2

8

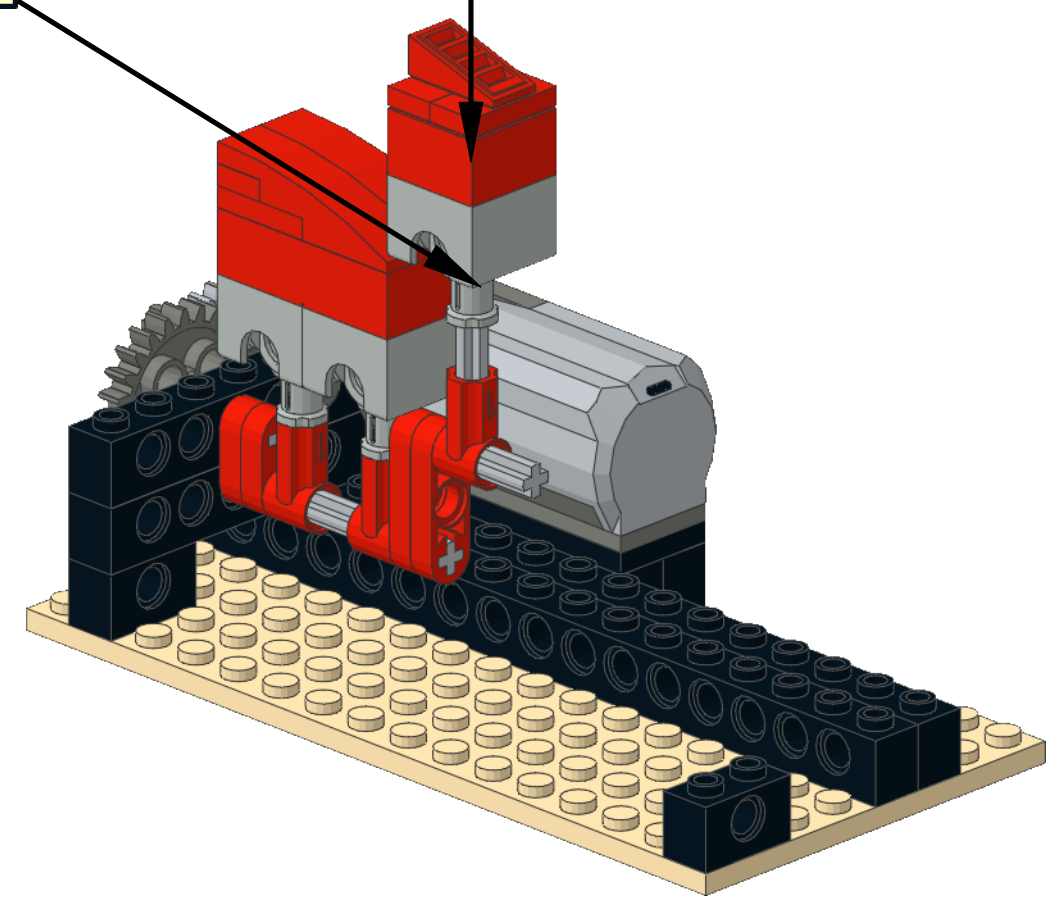
3 3x0.5
1x 2x



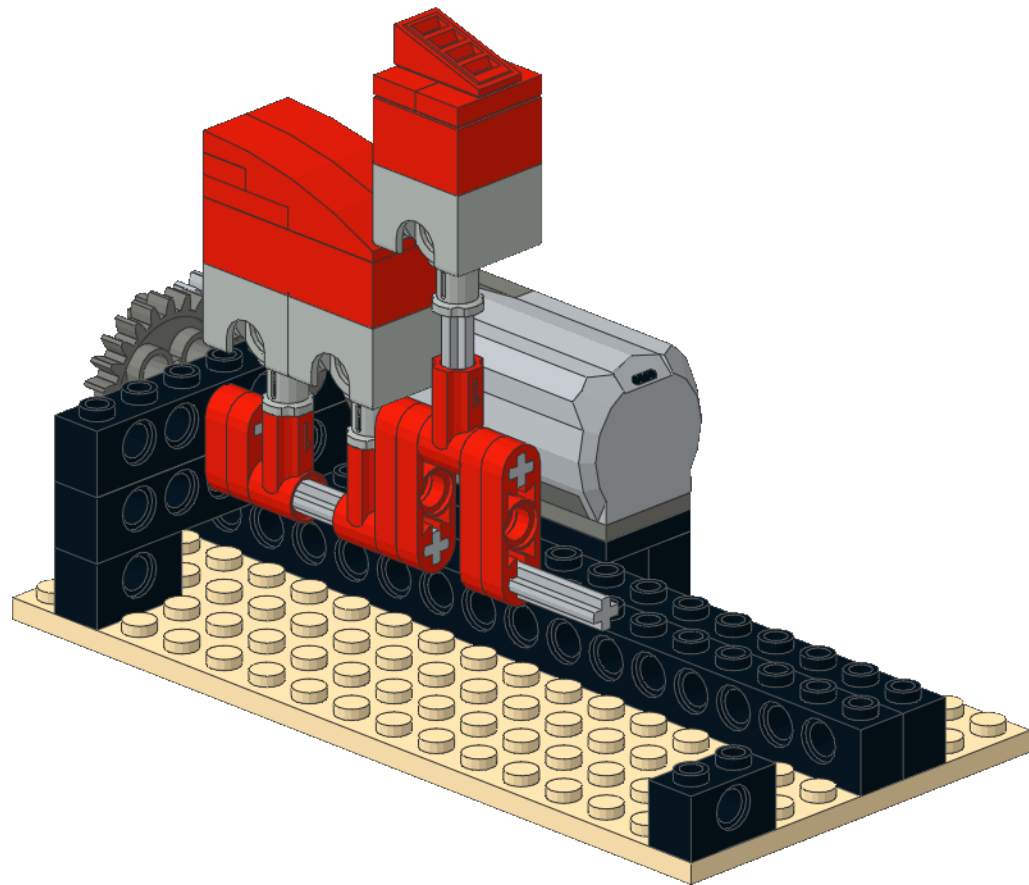
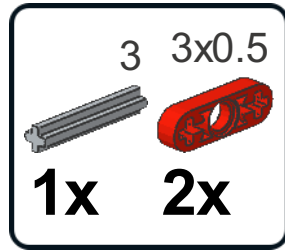
9

182x1x2 2x2 3 1x2 #1
1x 1x 1x 1x 2x 1x 1x

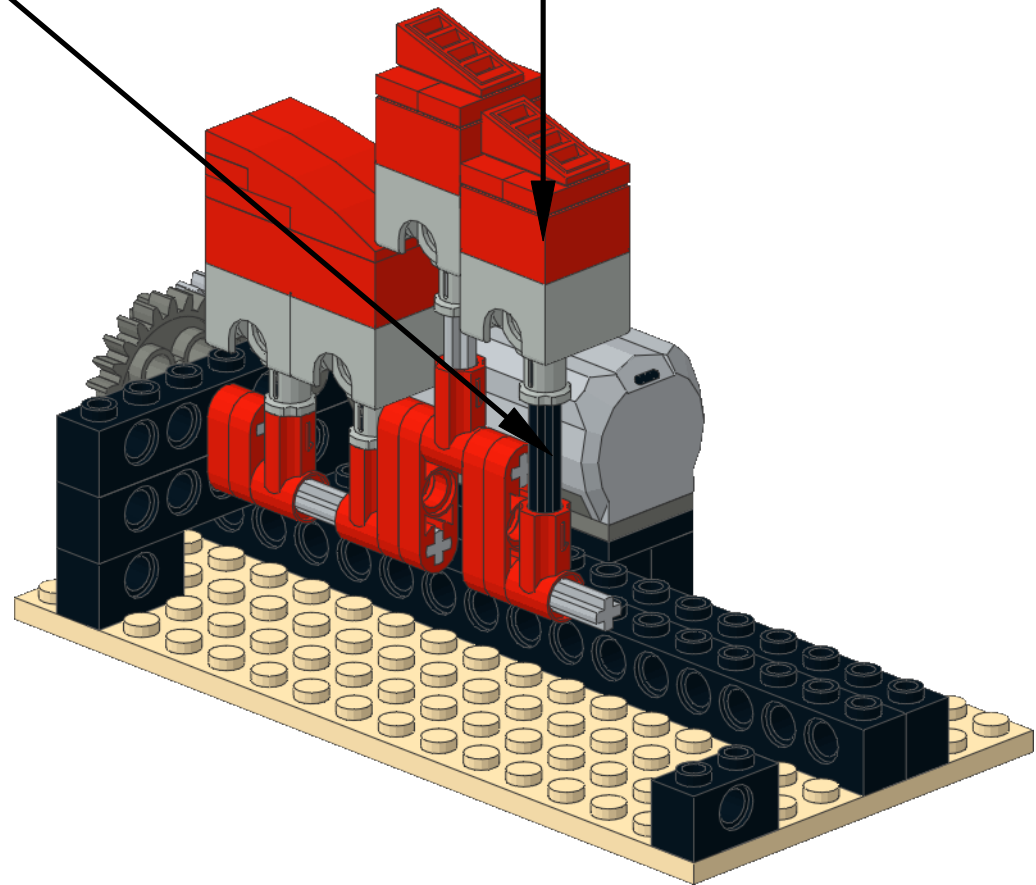
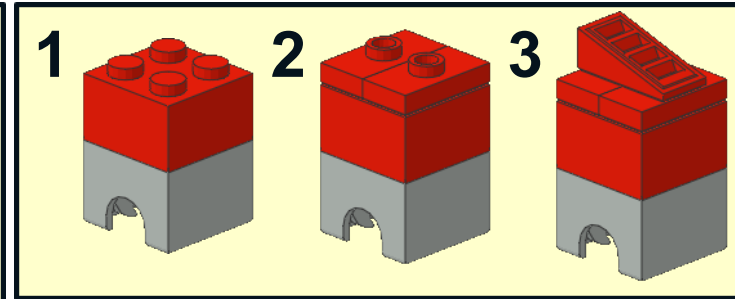
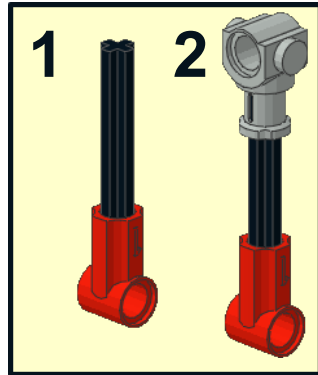
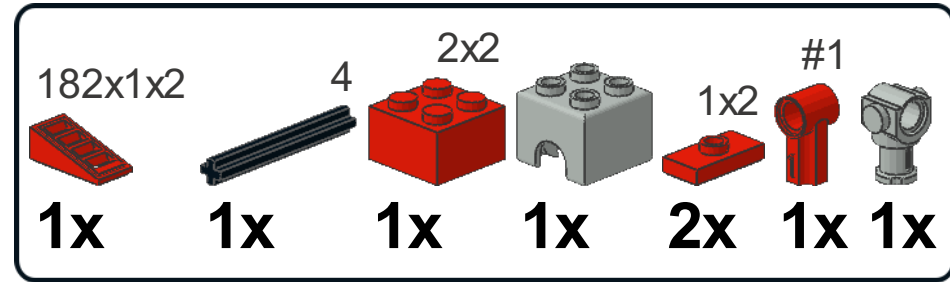
1 2 3



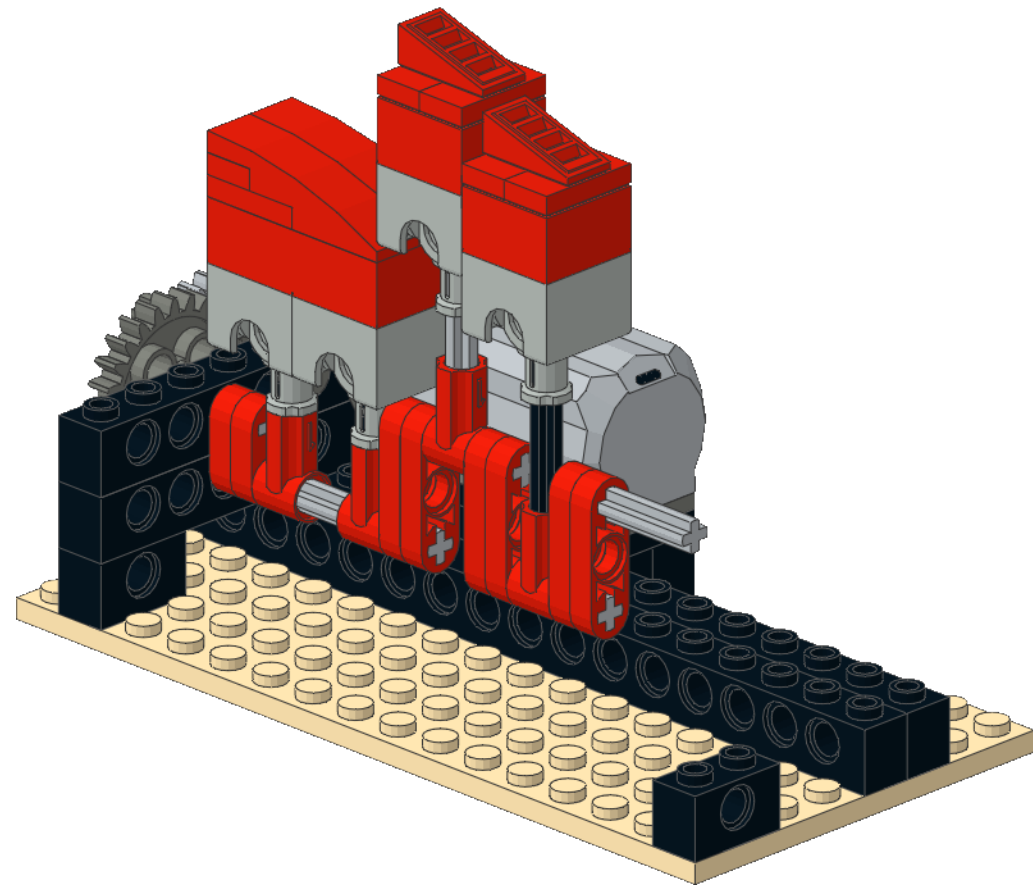
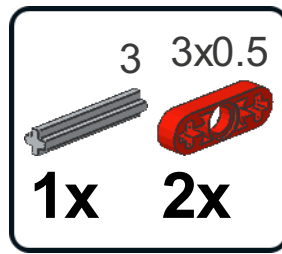
10



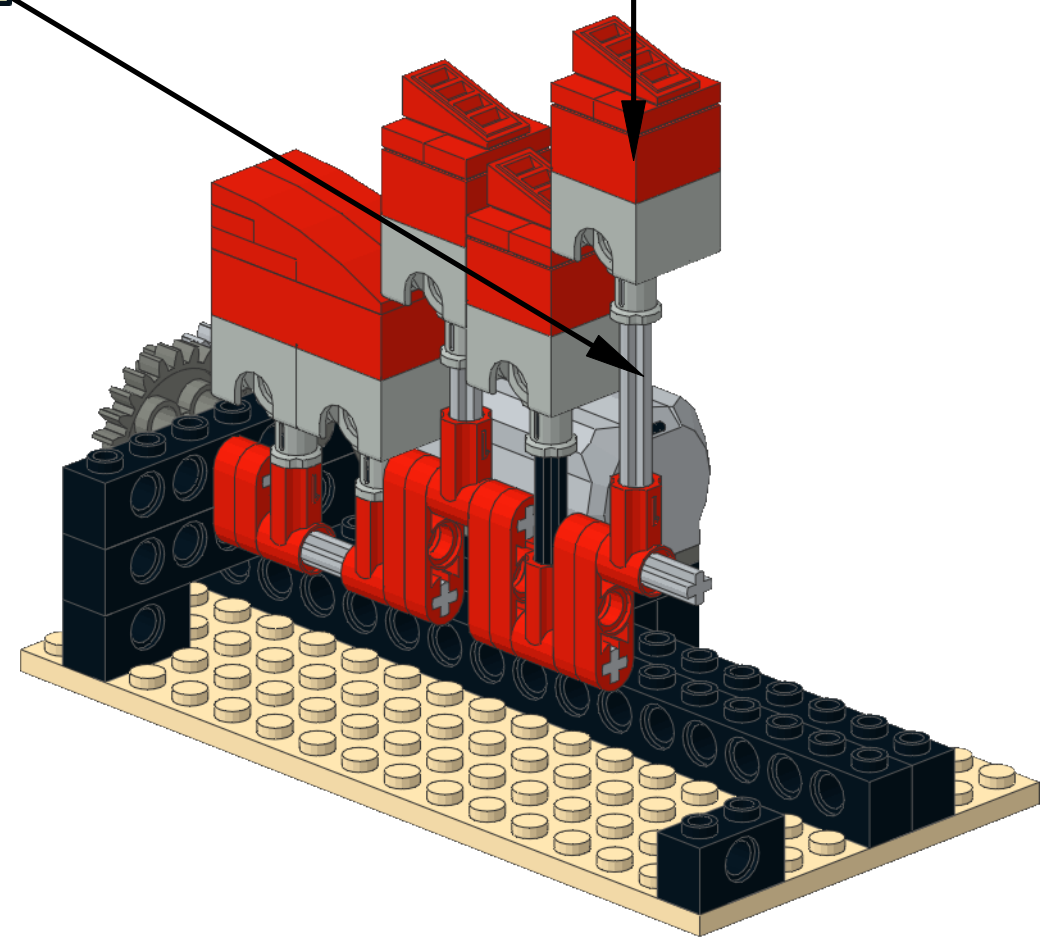
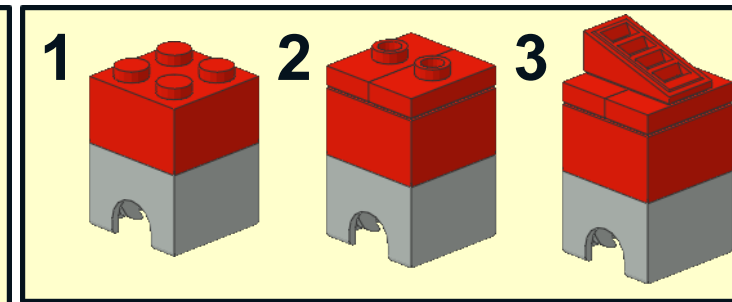
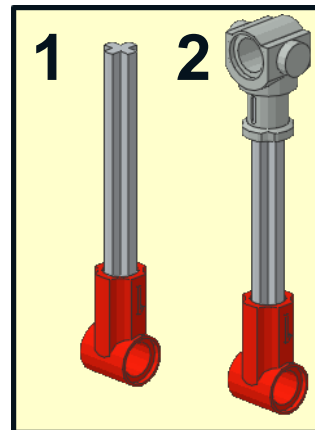
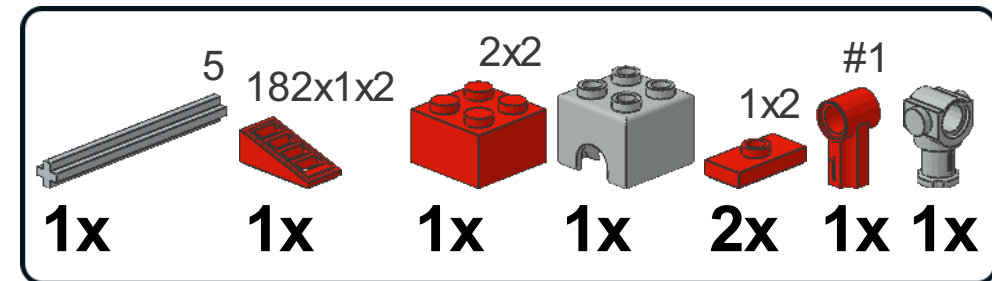
11



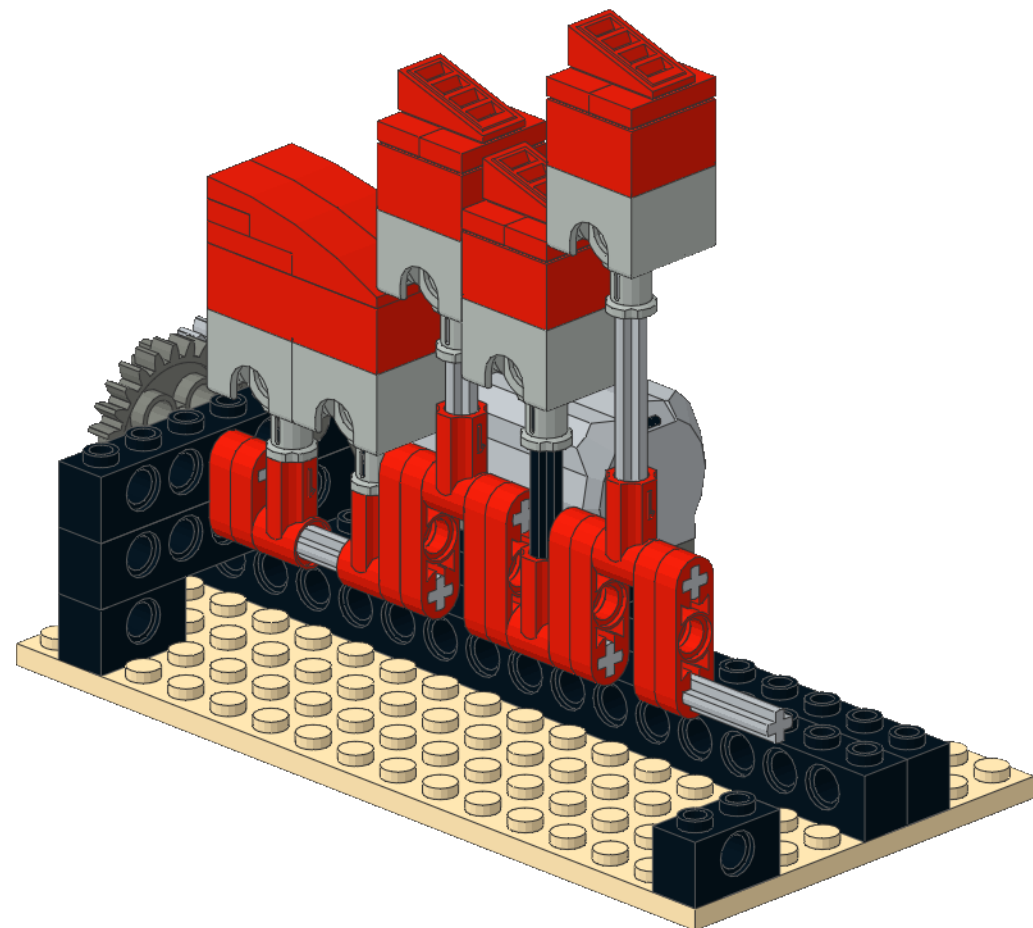
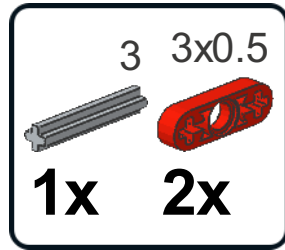
12



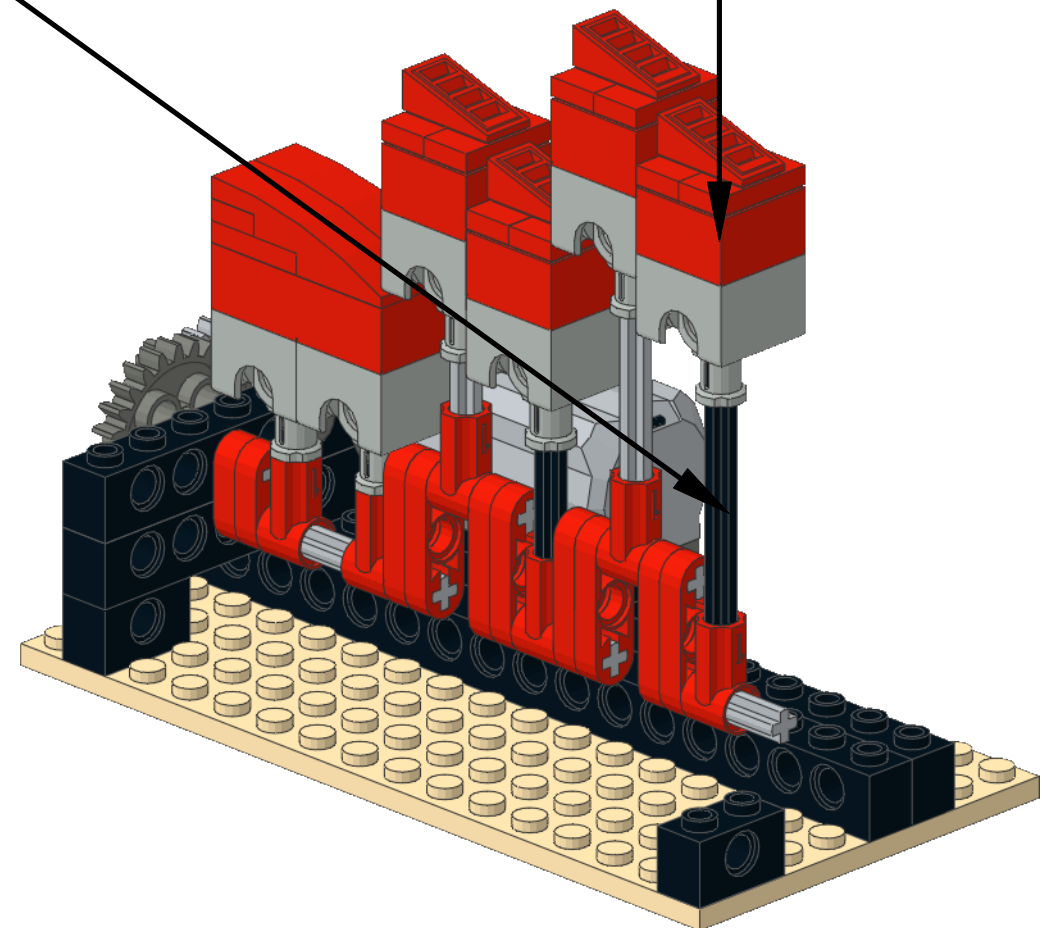
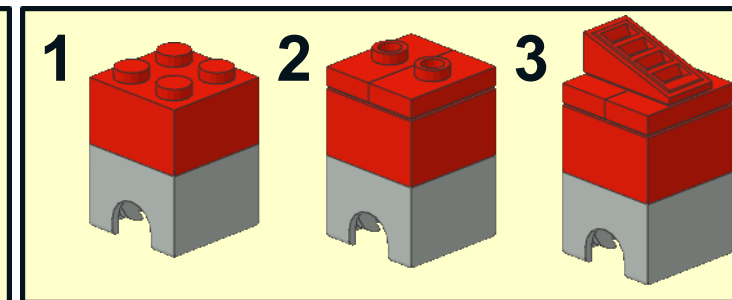
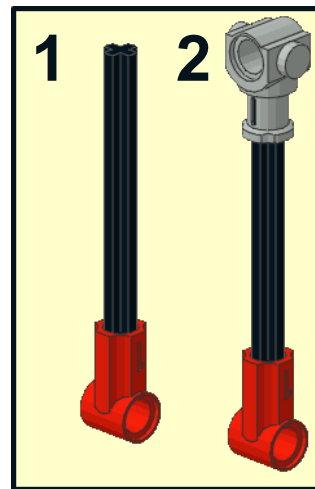
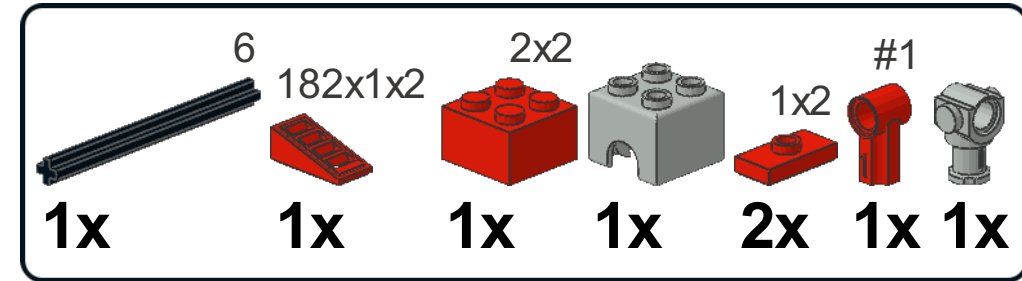
13



14

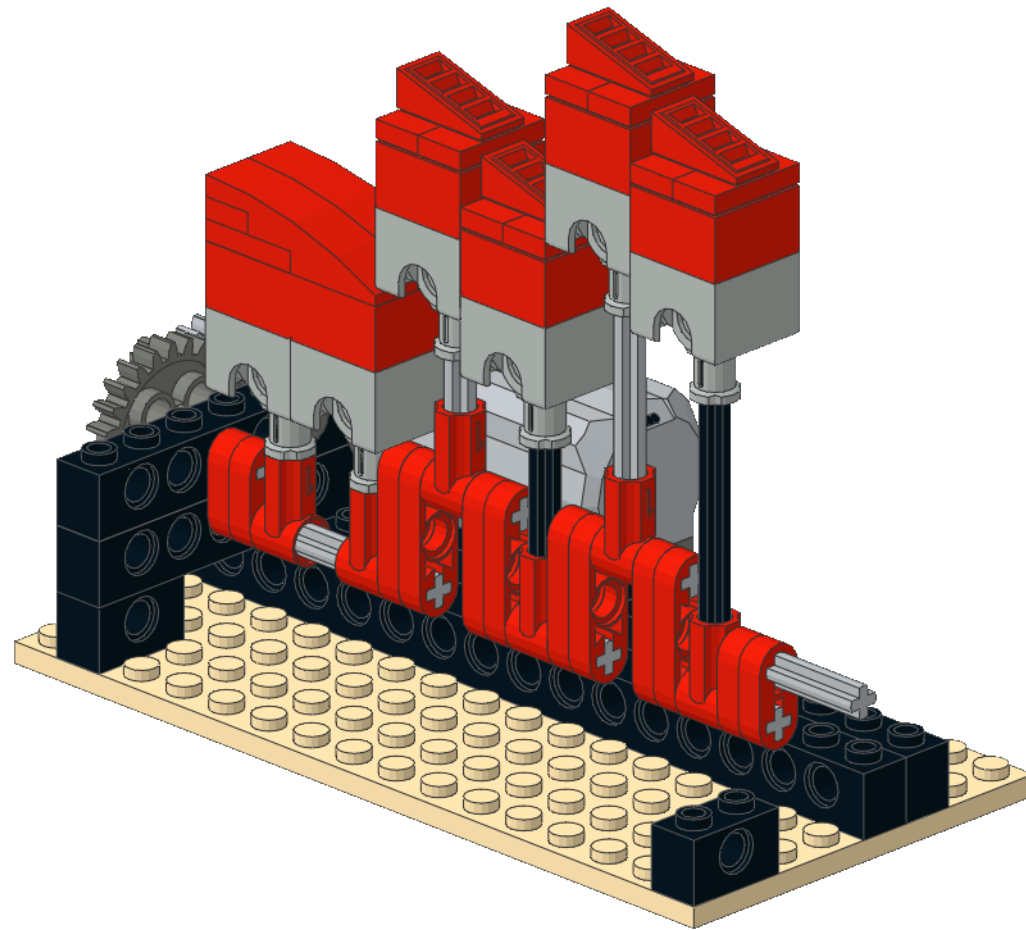


15



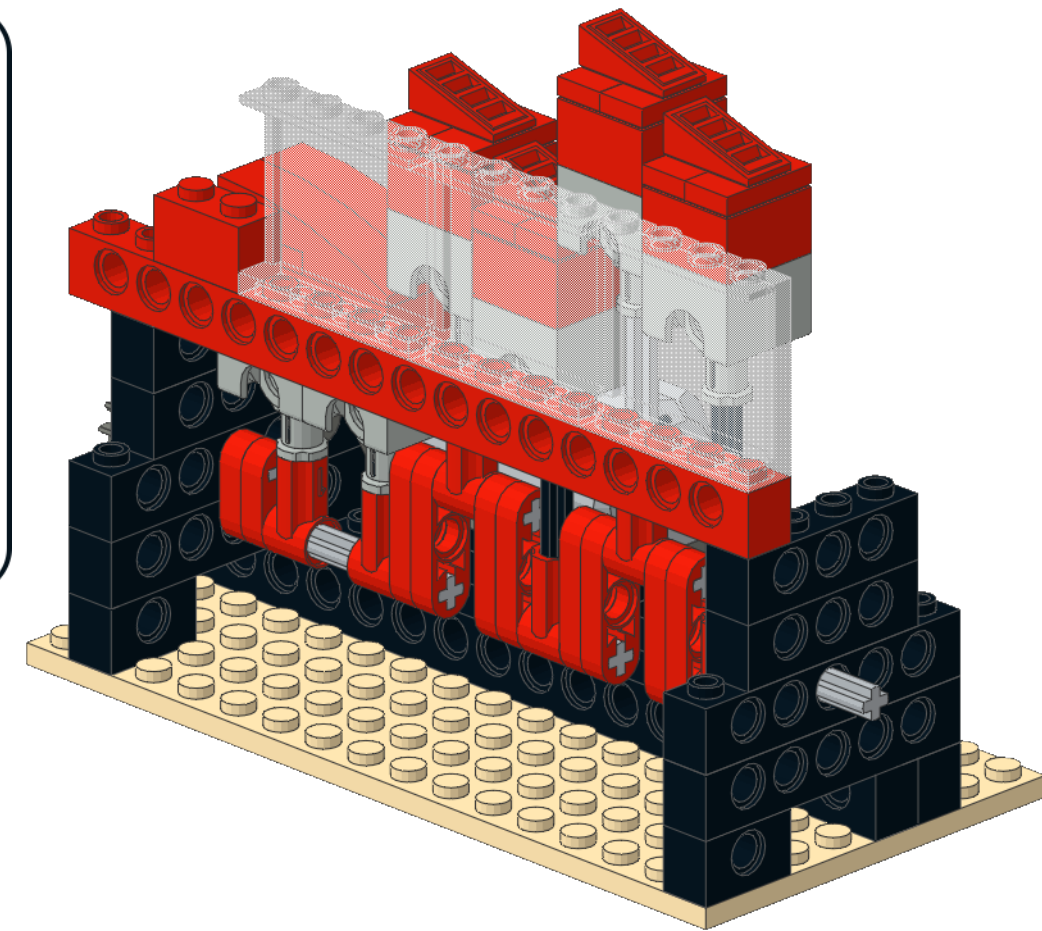
16

- 2x0.5
- 2x 3
- 1x



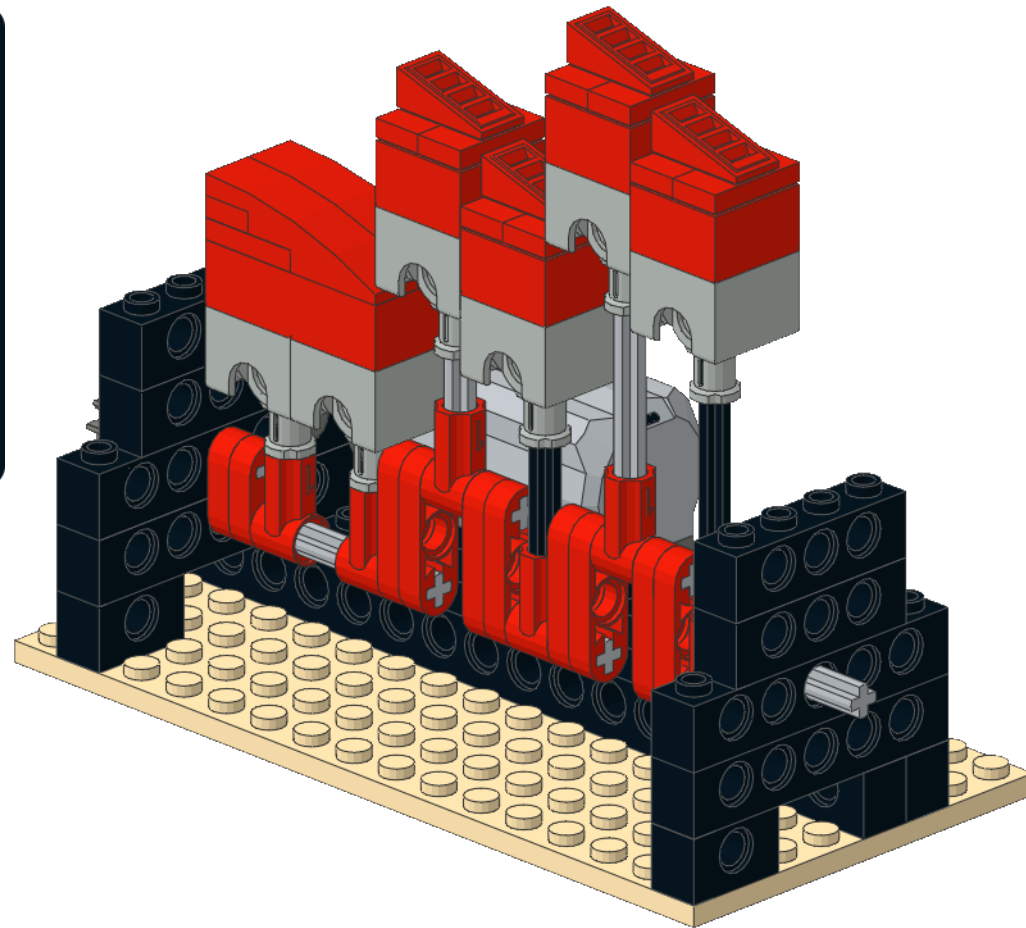
18

- 1x4x3
- 3x
- 1x16
- 1x2
- 1x
- 1x



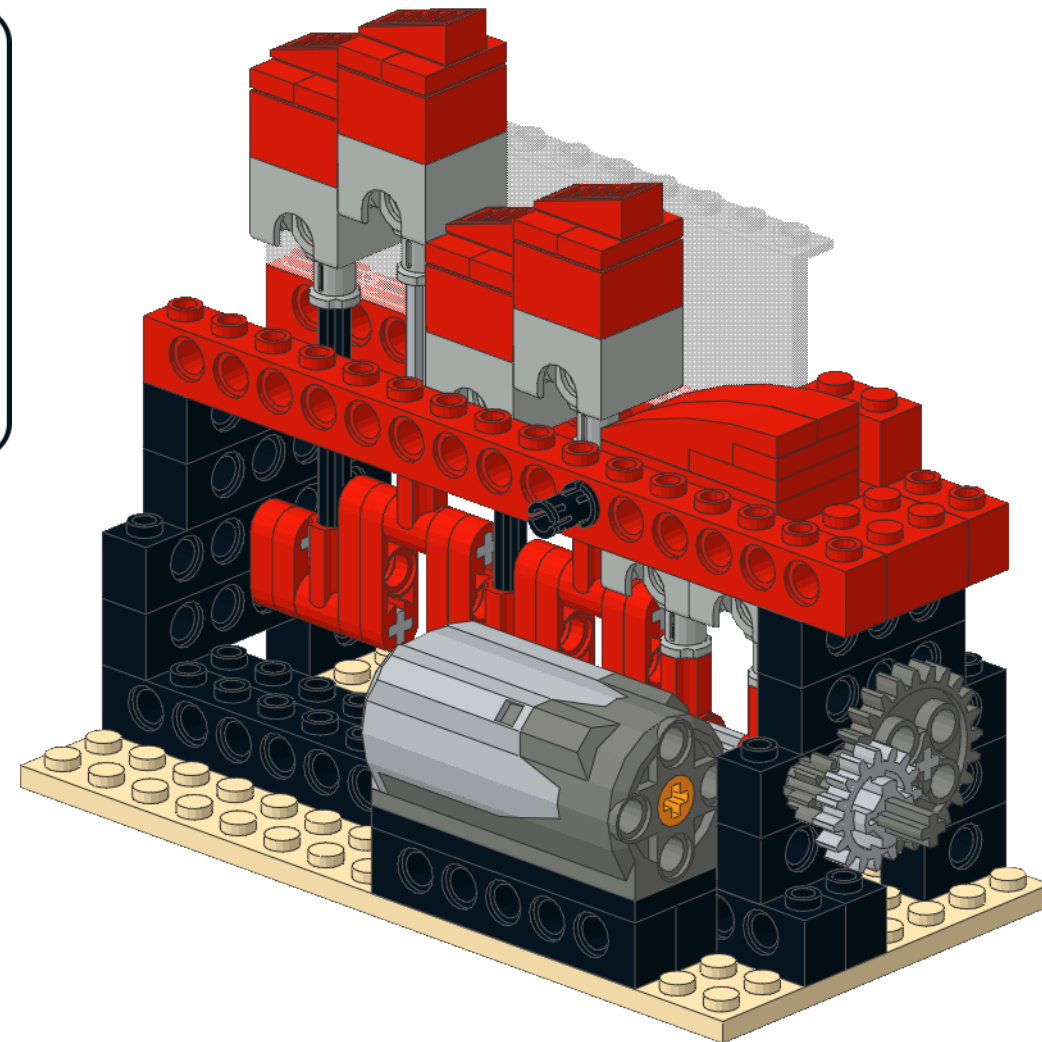
17

- 1x4
- 4x
- 1x6
- 2x

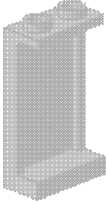
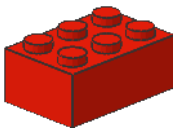
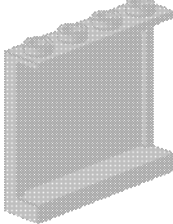
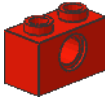



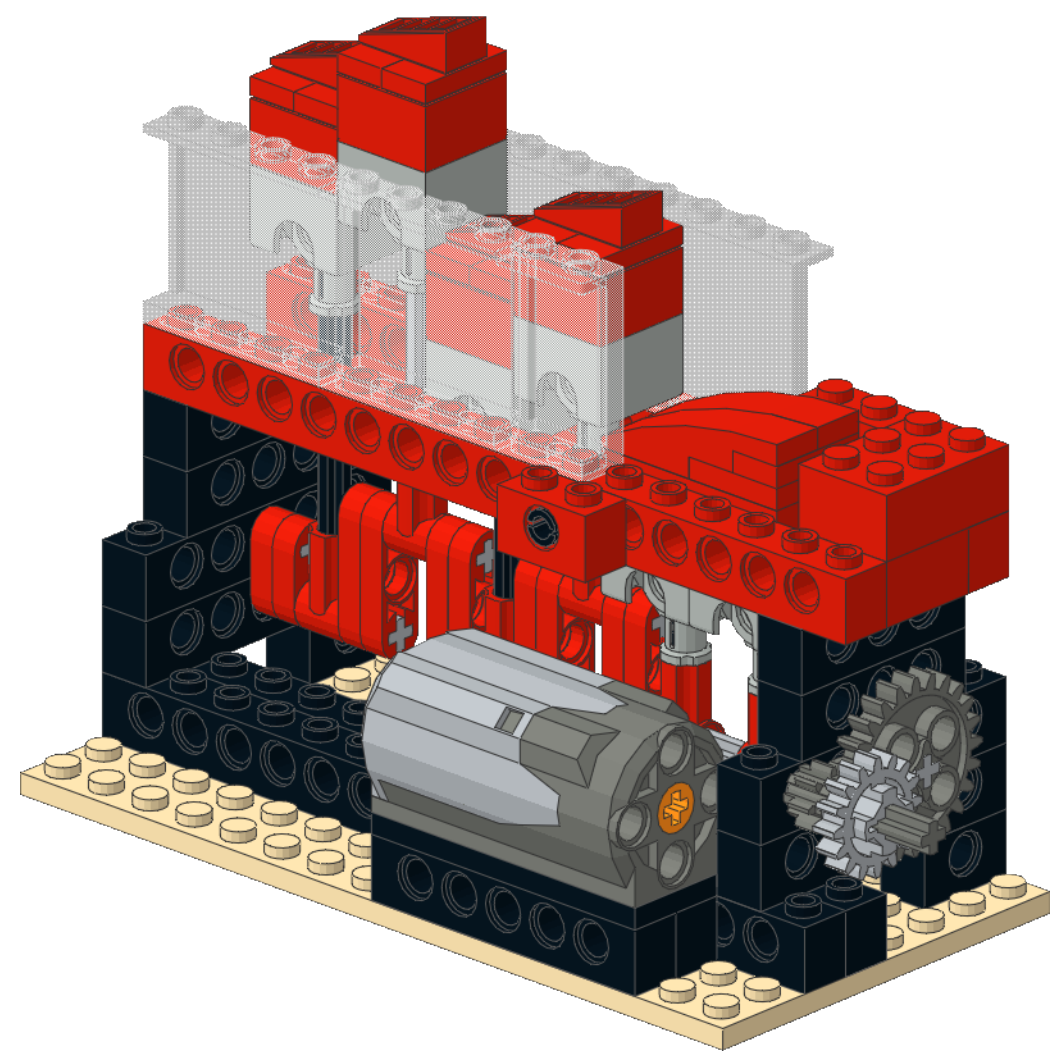
19

- 1x16
- 1x
- 1x16
- 2x2
- 1x
- 1x

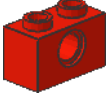
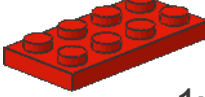
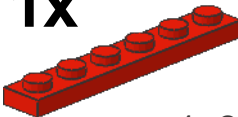
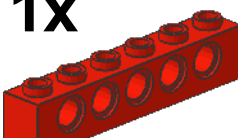
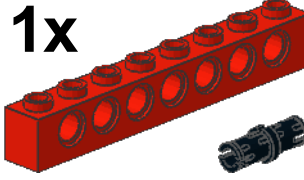




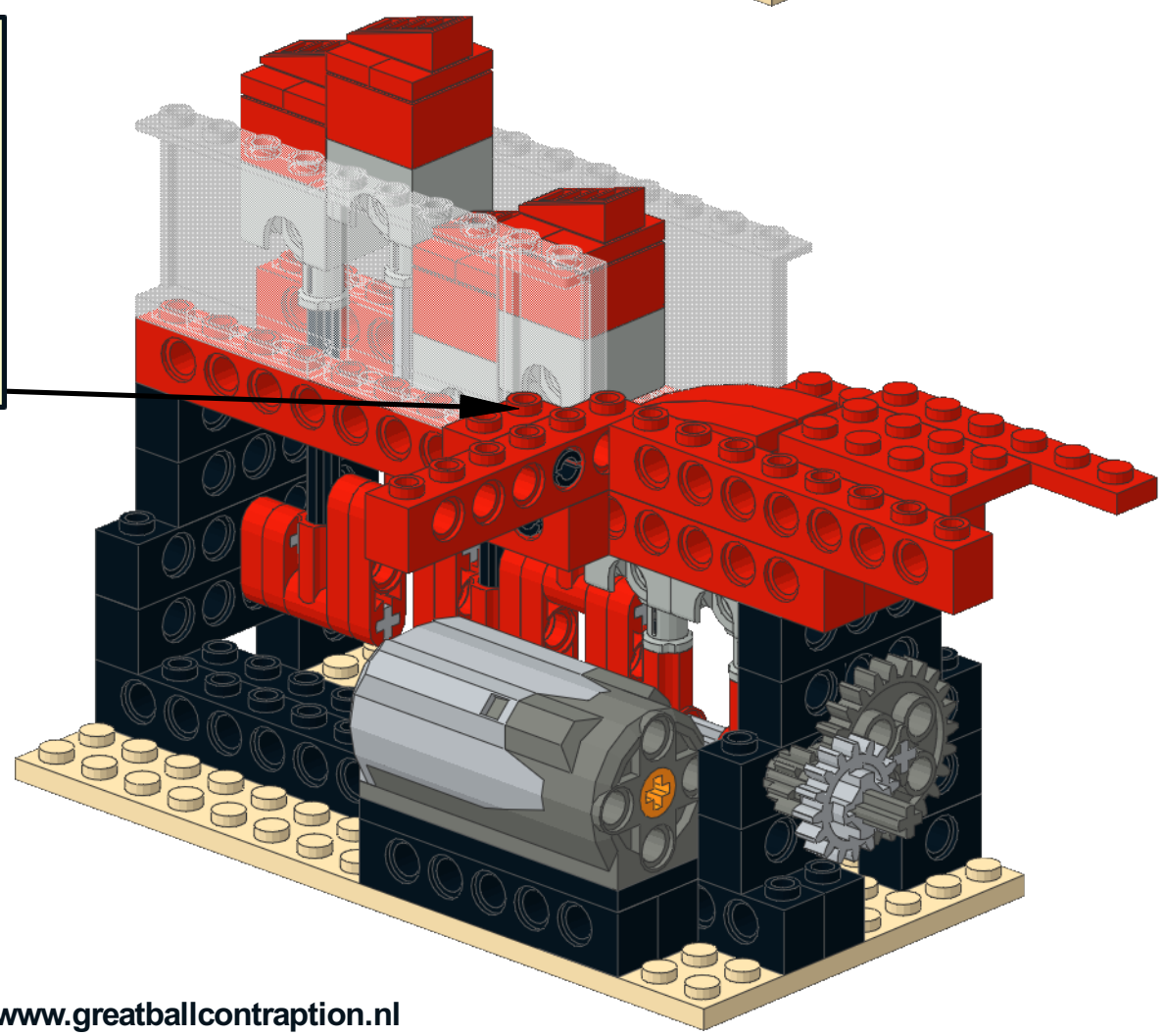
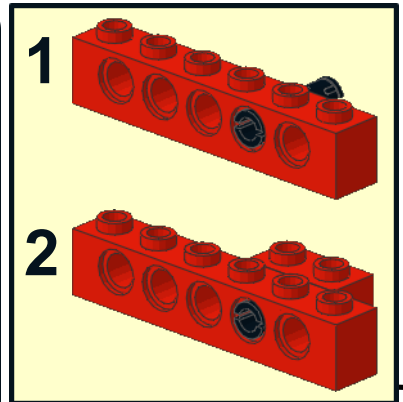
20

- 1x2x3 
- 1x** 2x3 
- 1x** 1x4x3 
- 2x** 1x2 
- 1x** 



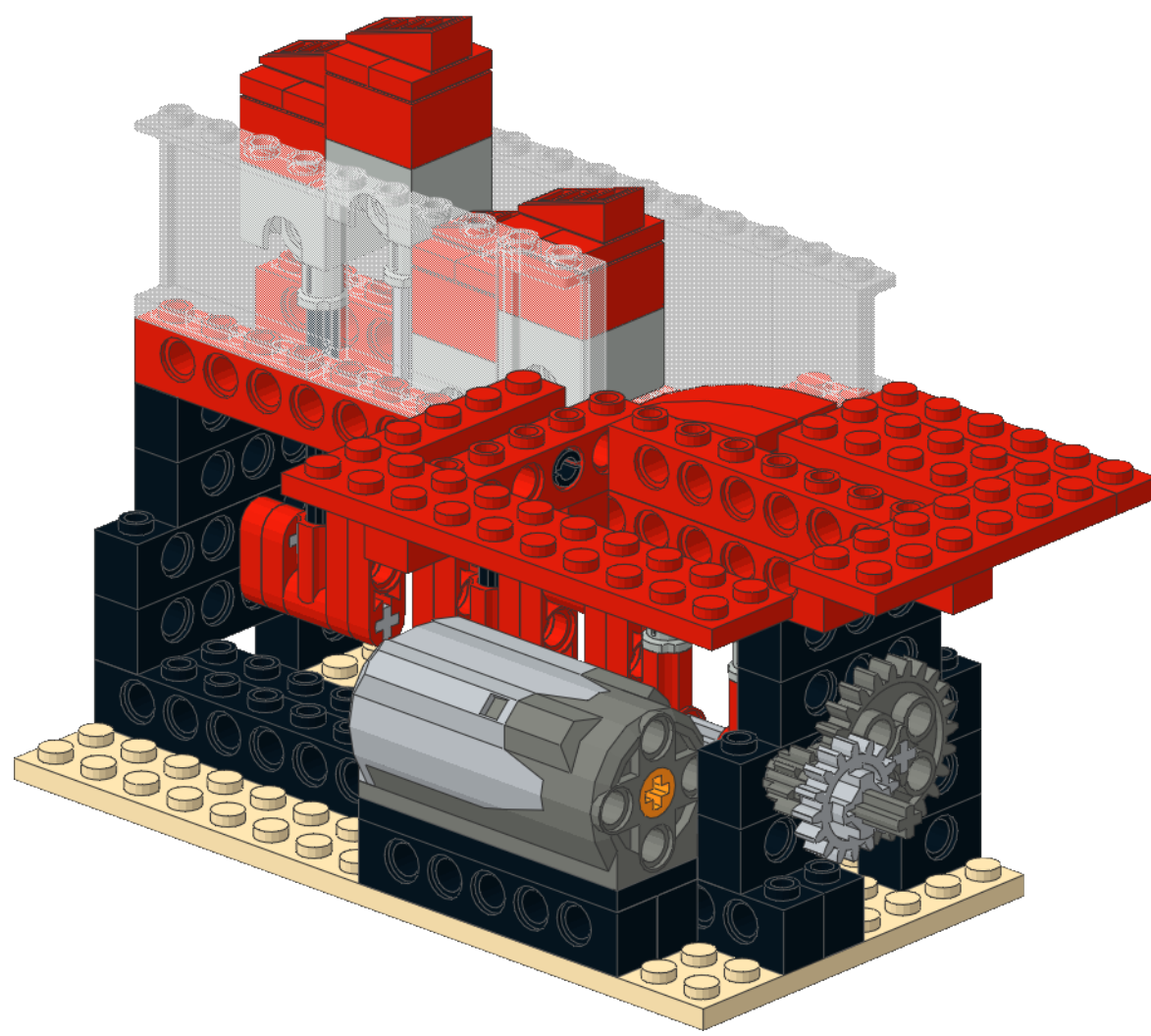
21

- 1x2 
- 1x** 2x4 
- 1x** 1x6 
- 1x** 1x6 
- 1x** 1x8 
- 1x** 
- 1x** 



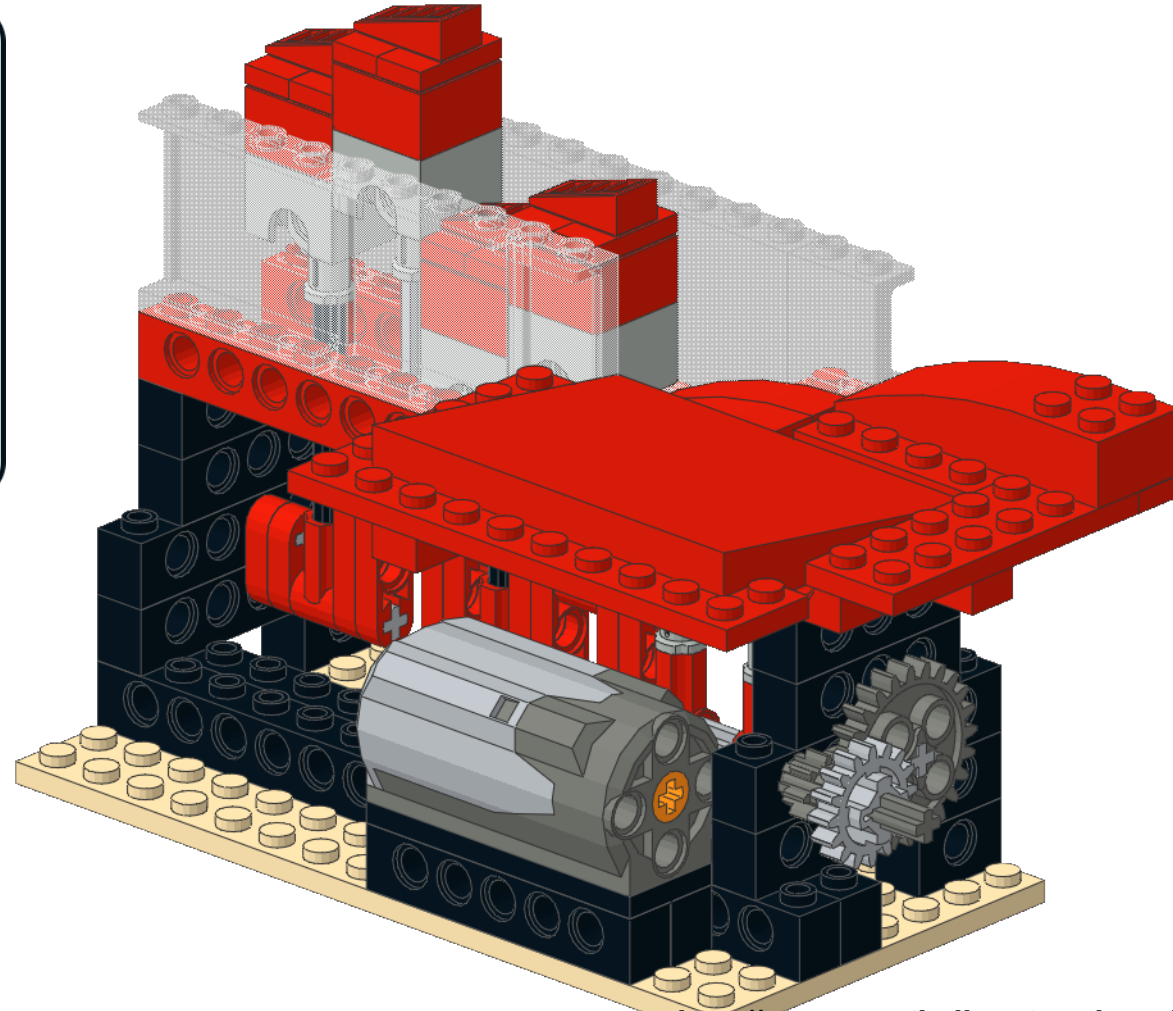
22

- 1x2x2
- 1x 1x4
- 1x 2x6
- 1x 2x10
- 1x
- 1x



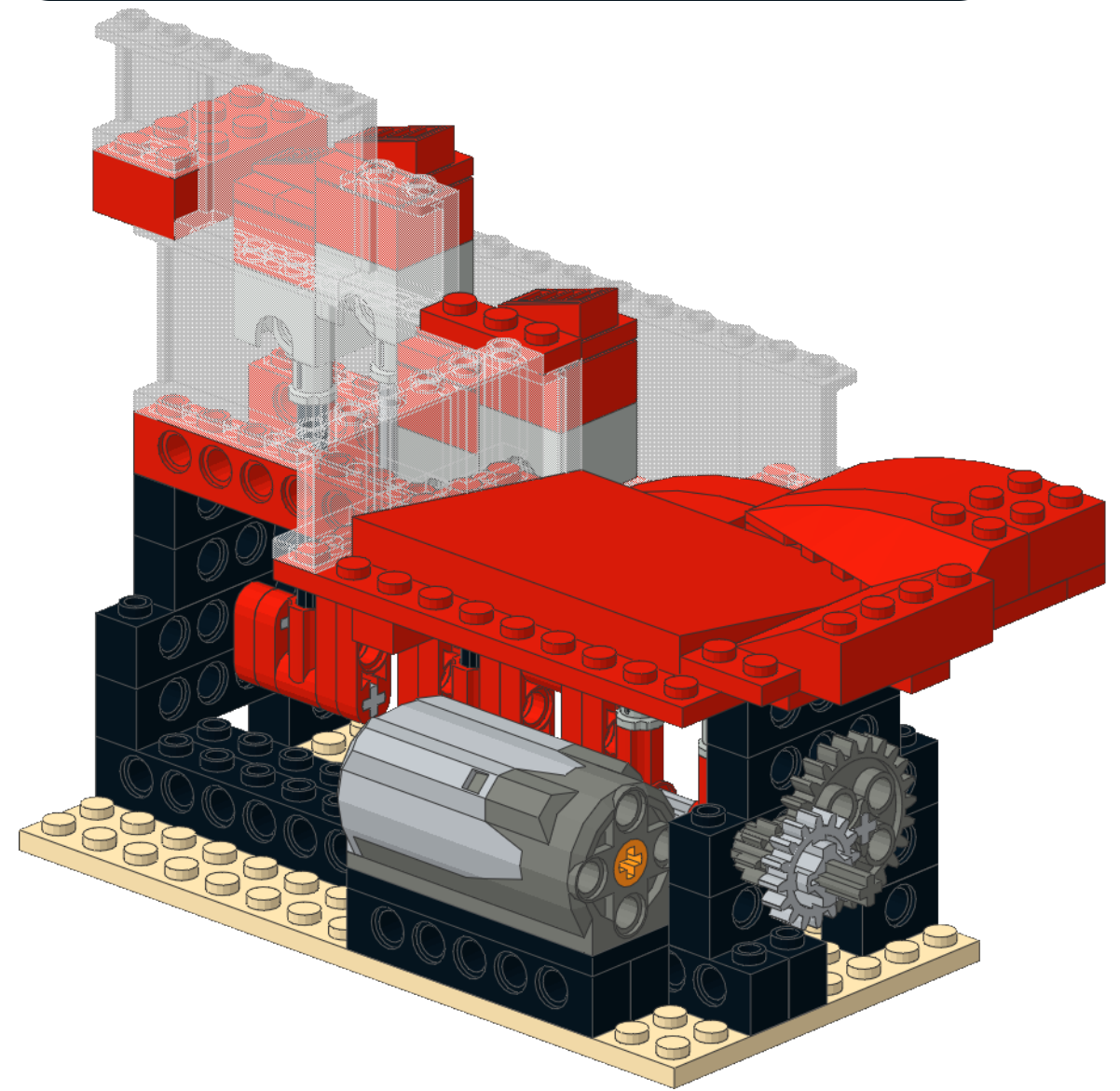
23

- 6x2
- 1x
- 106x8
- 1x

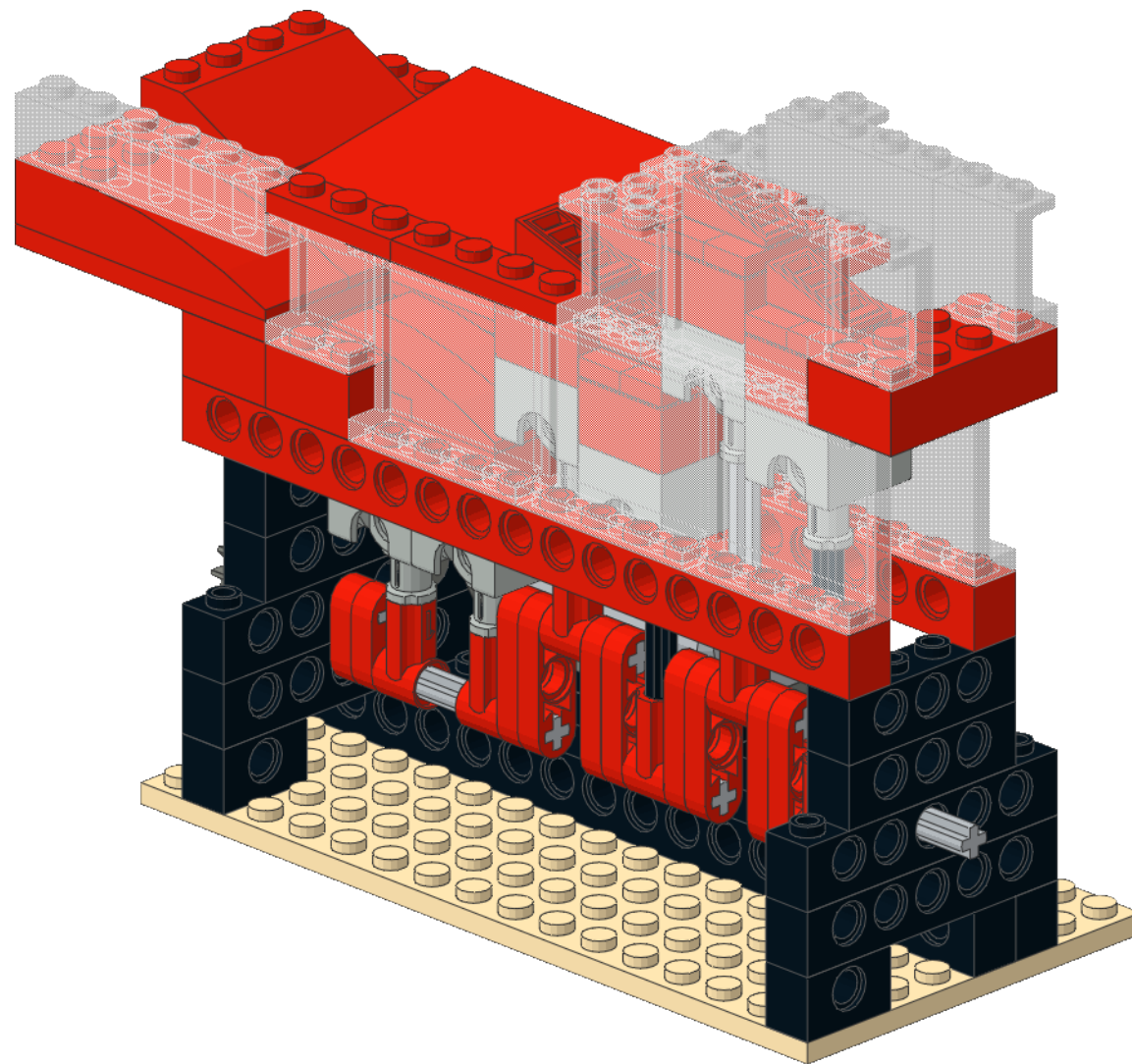
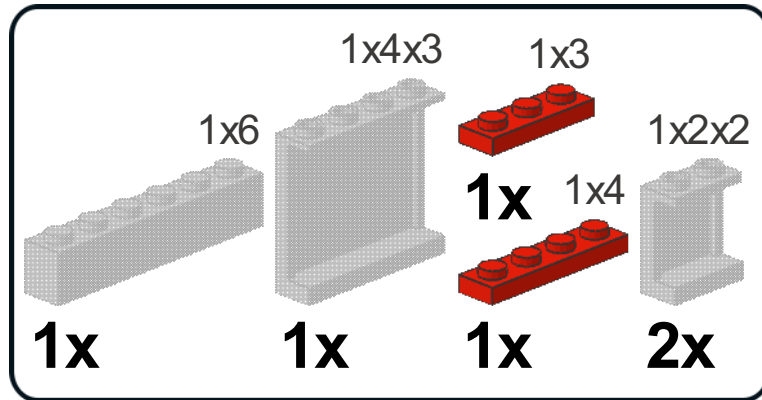


24

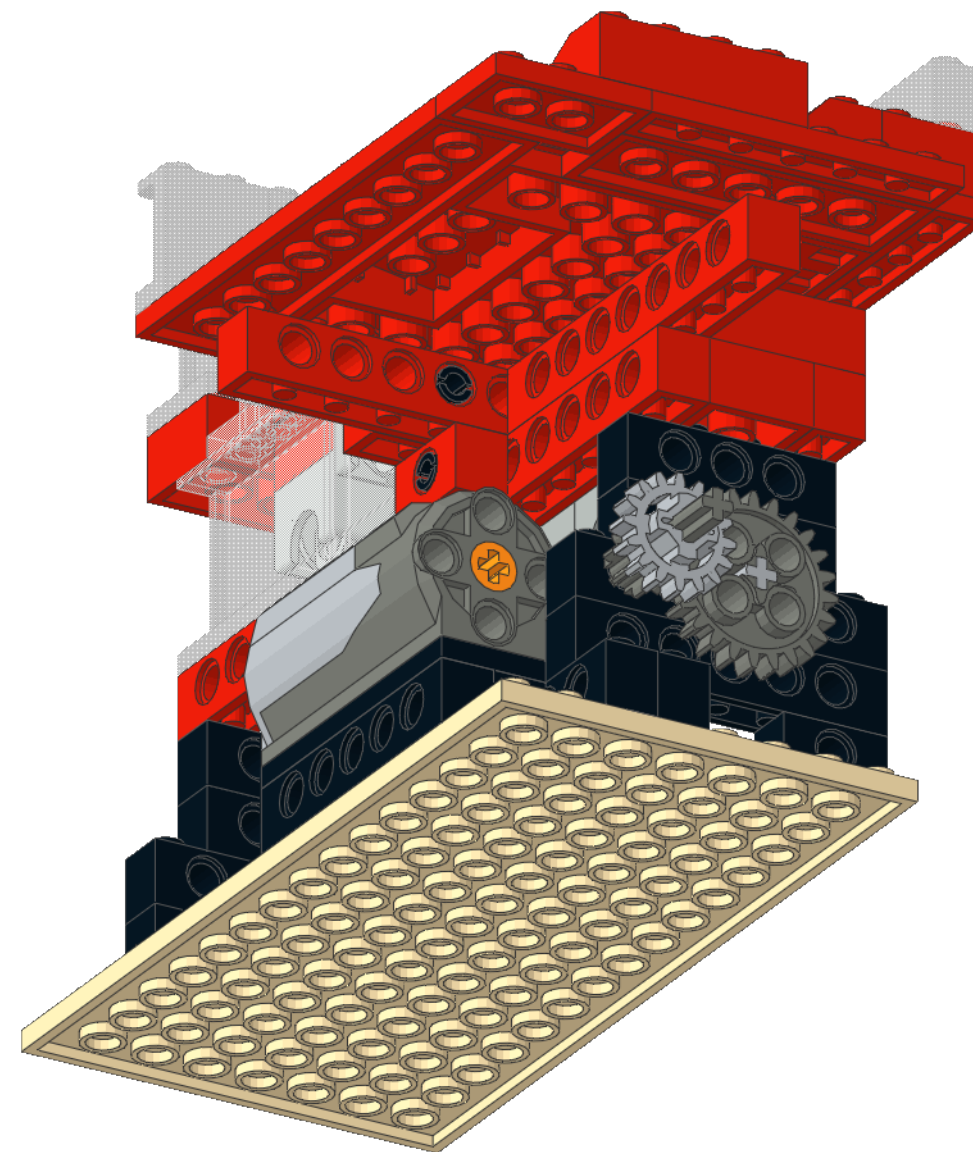
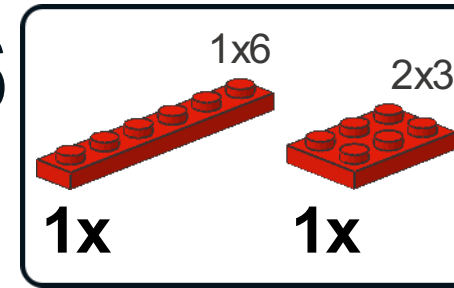
- 1x3
- 1x2
- 1x4x3
- 1x2x2
- 333x4
- 1x
- 2x6
- 1x
- 2x4
- 1x
- 1x
- 5x



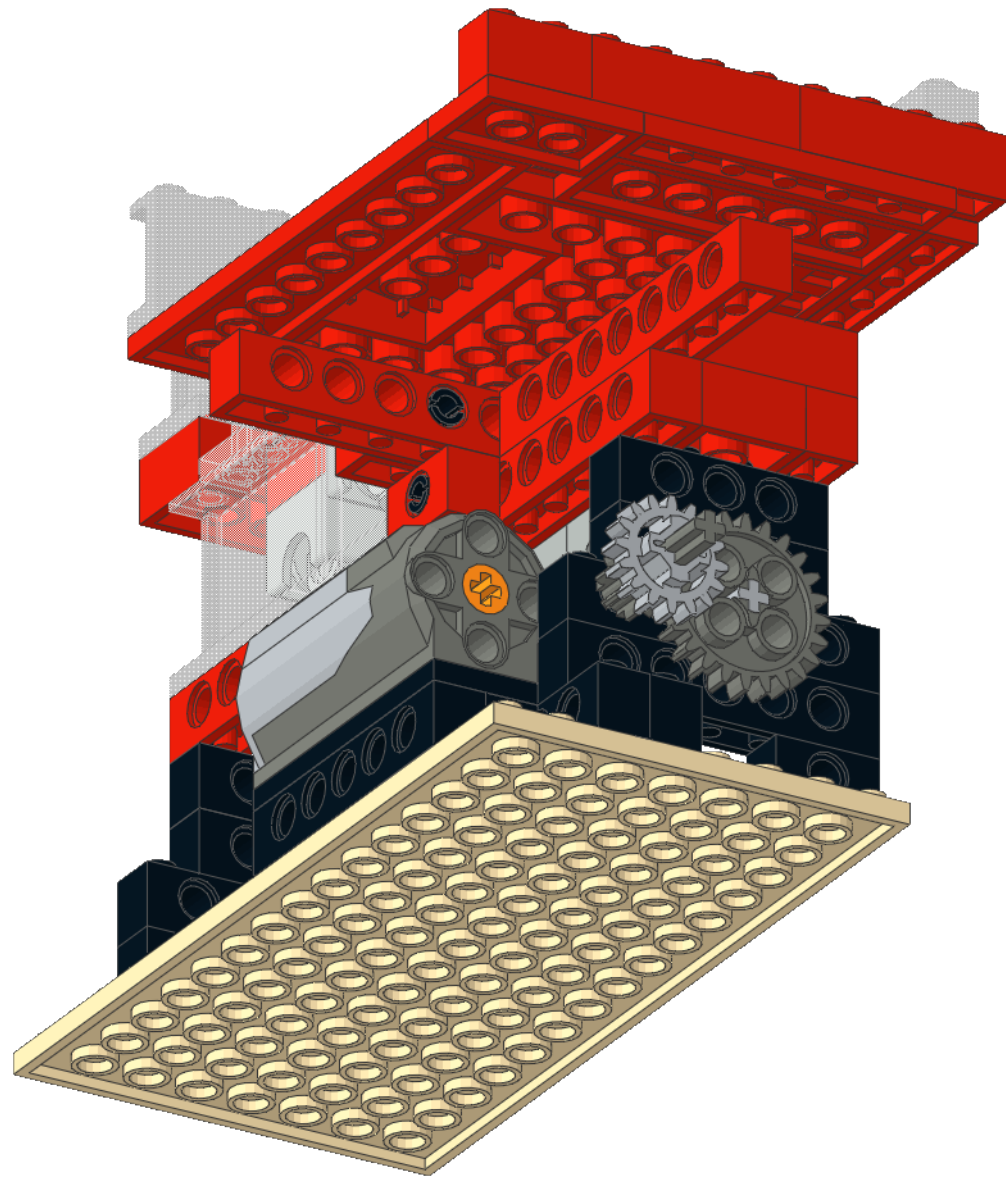
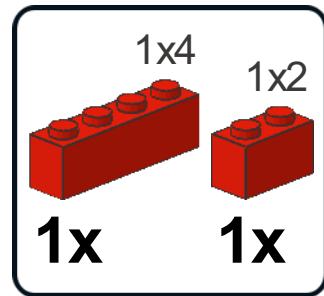
25



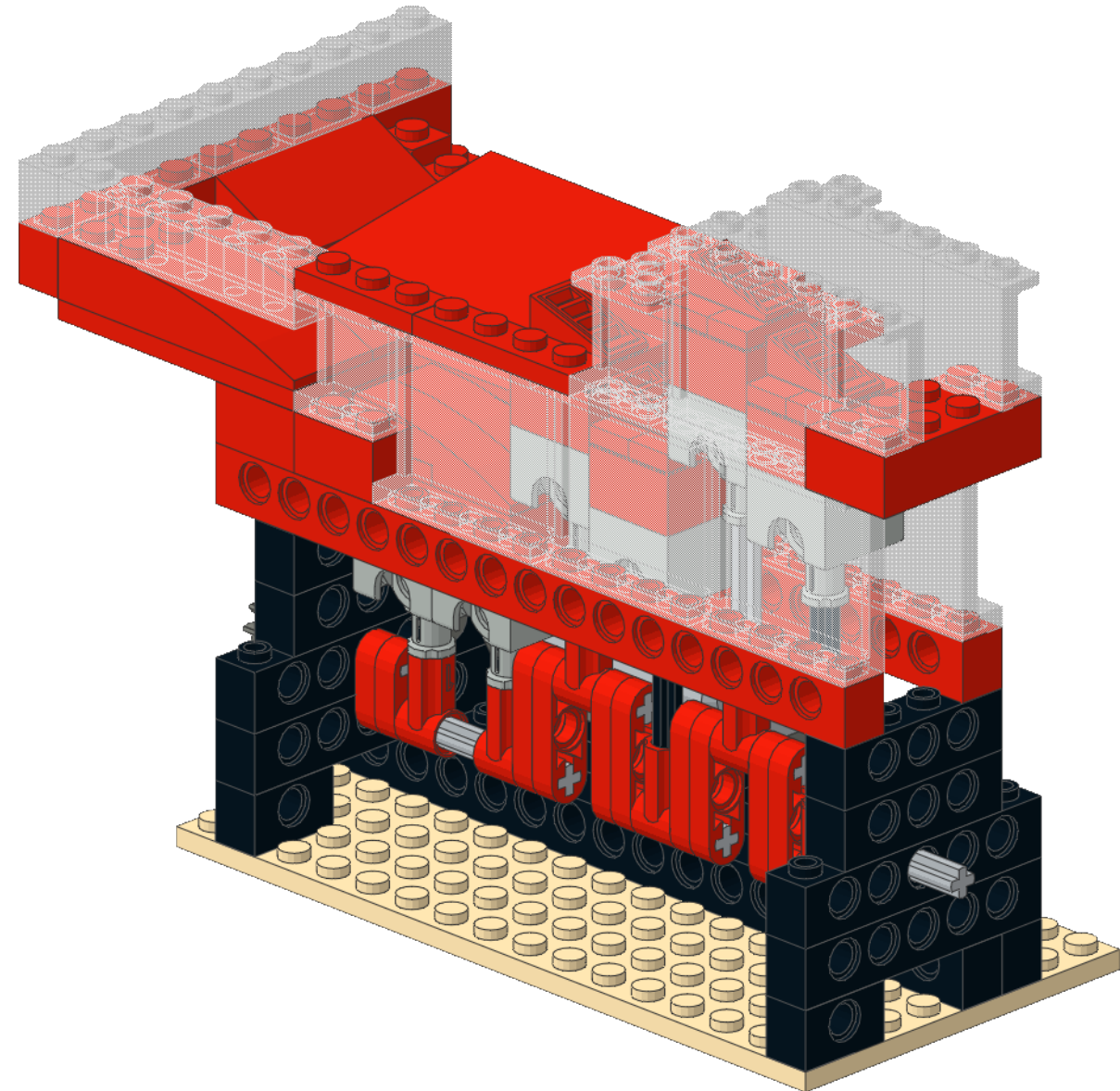
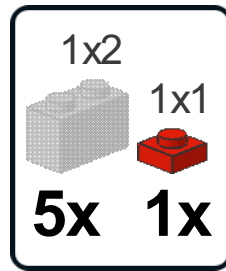
26



27



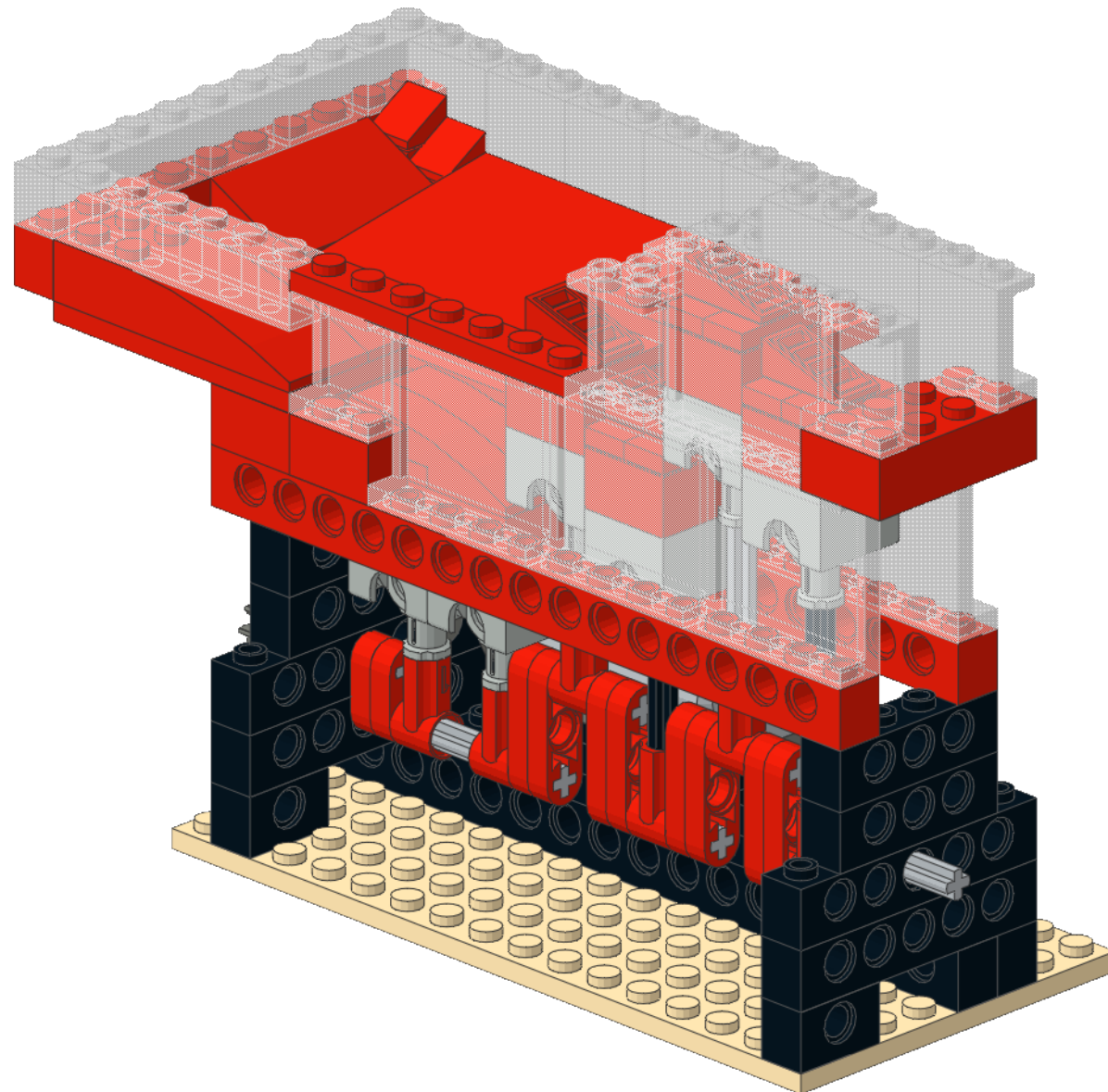
28



29

311x1x0.667
2x

1x2x2
5x



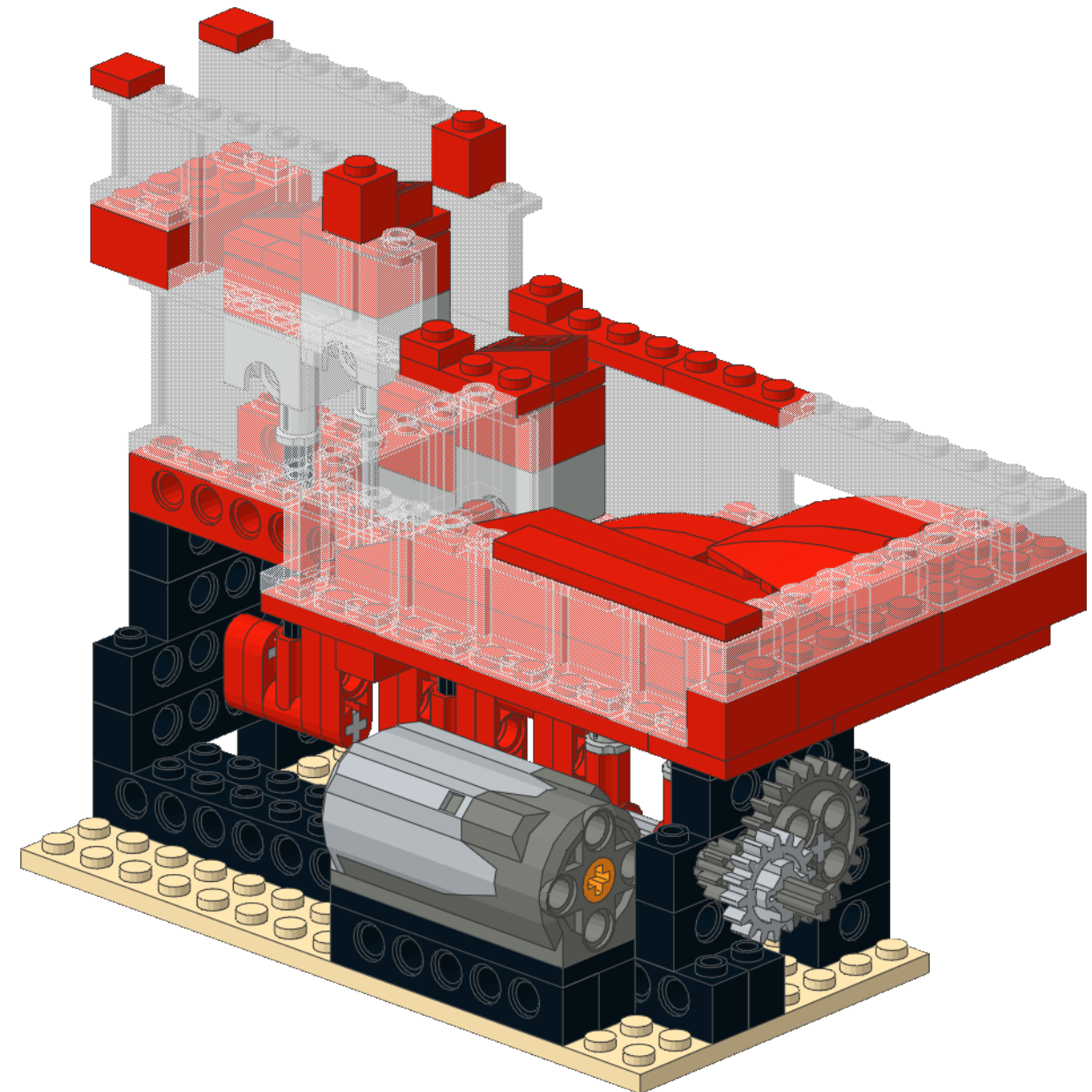
30

1x6
1x

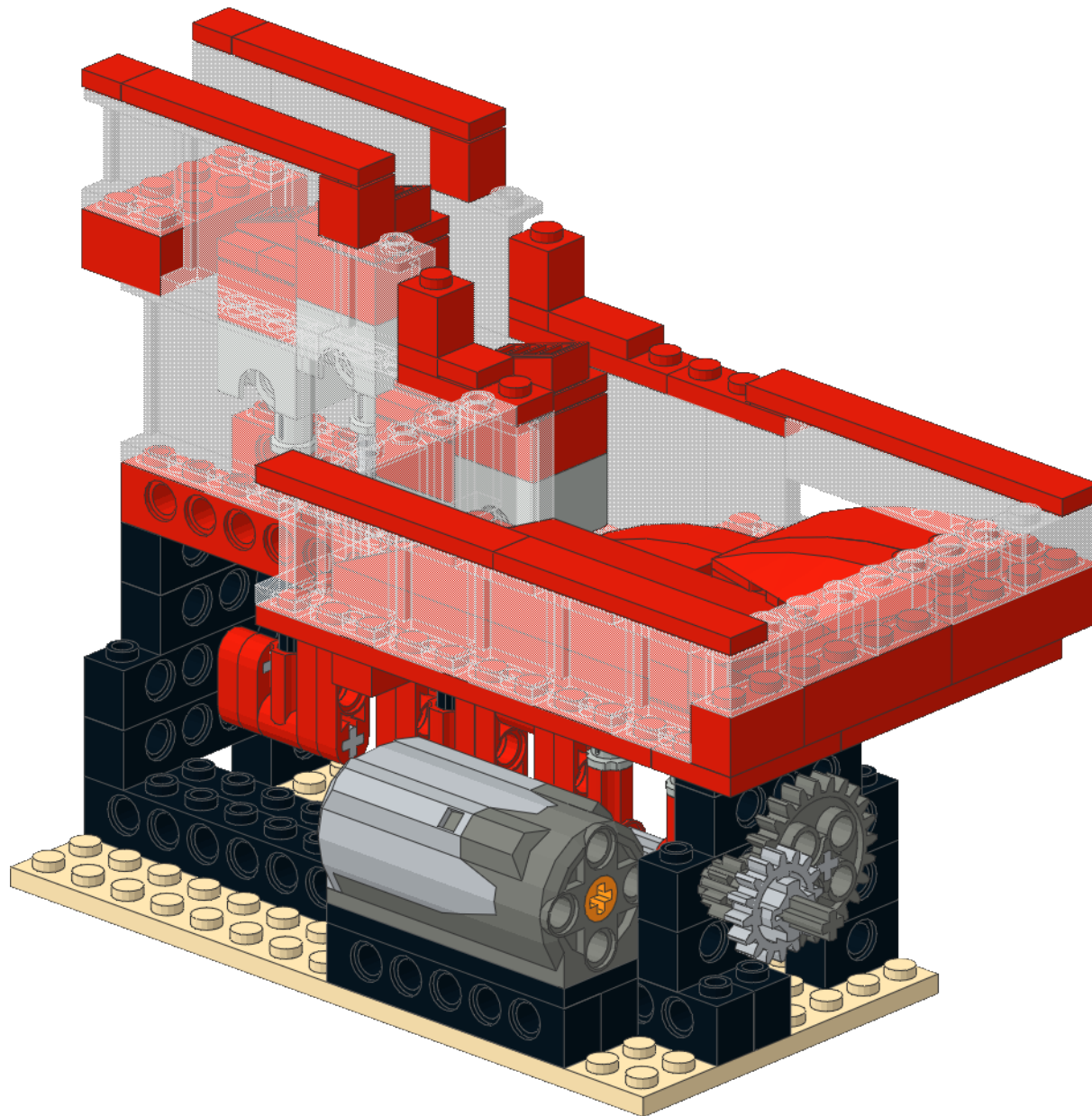
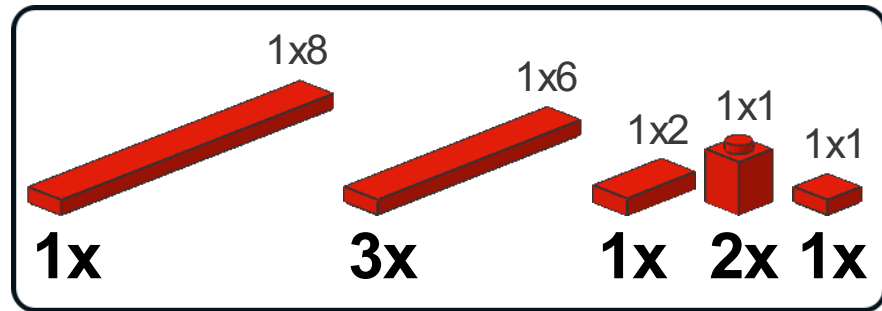
1x1
2x

1x1
2x

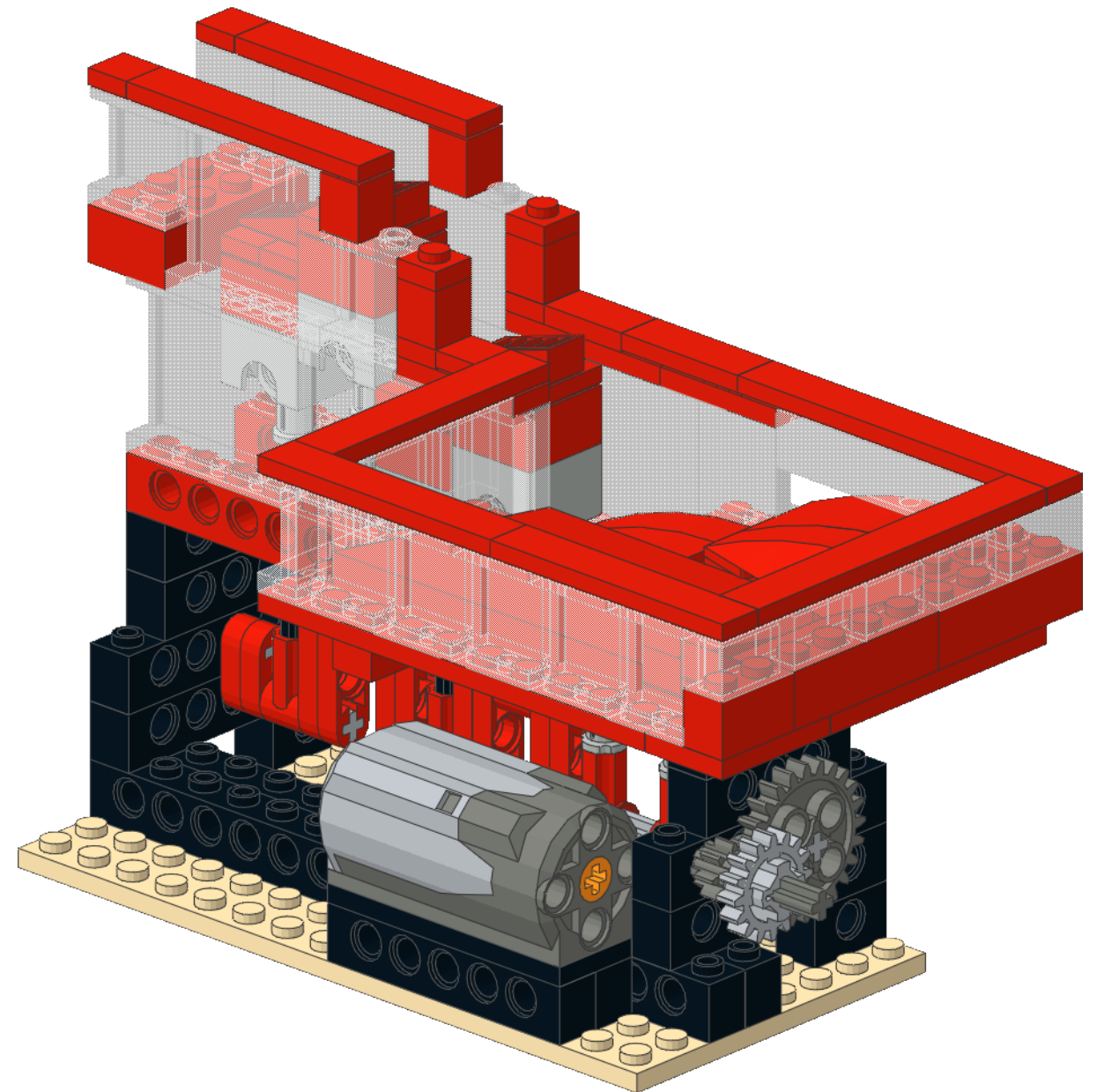
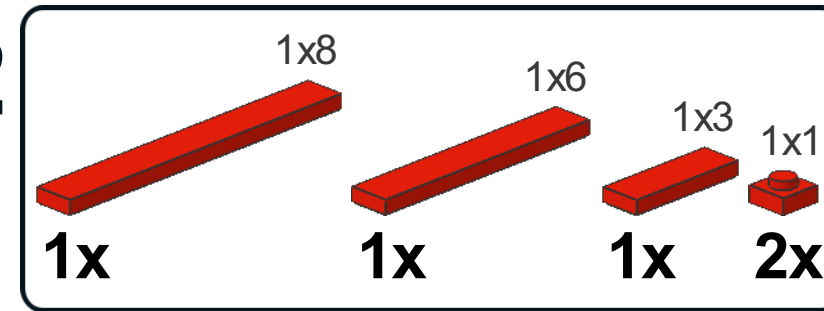
1x1
2x



31

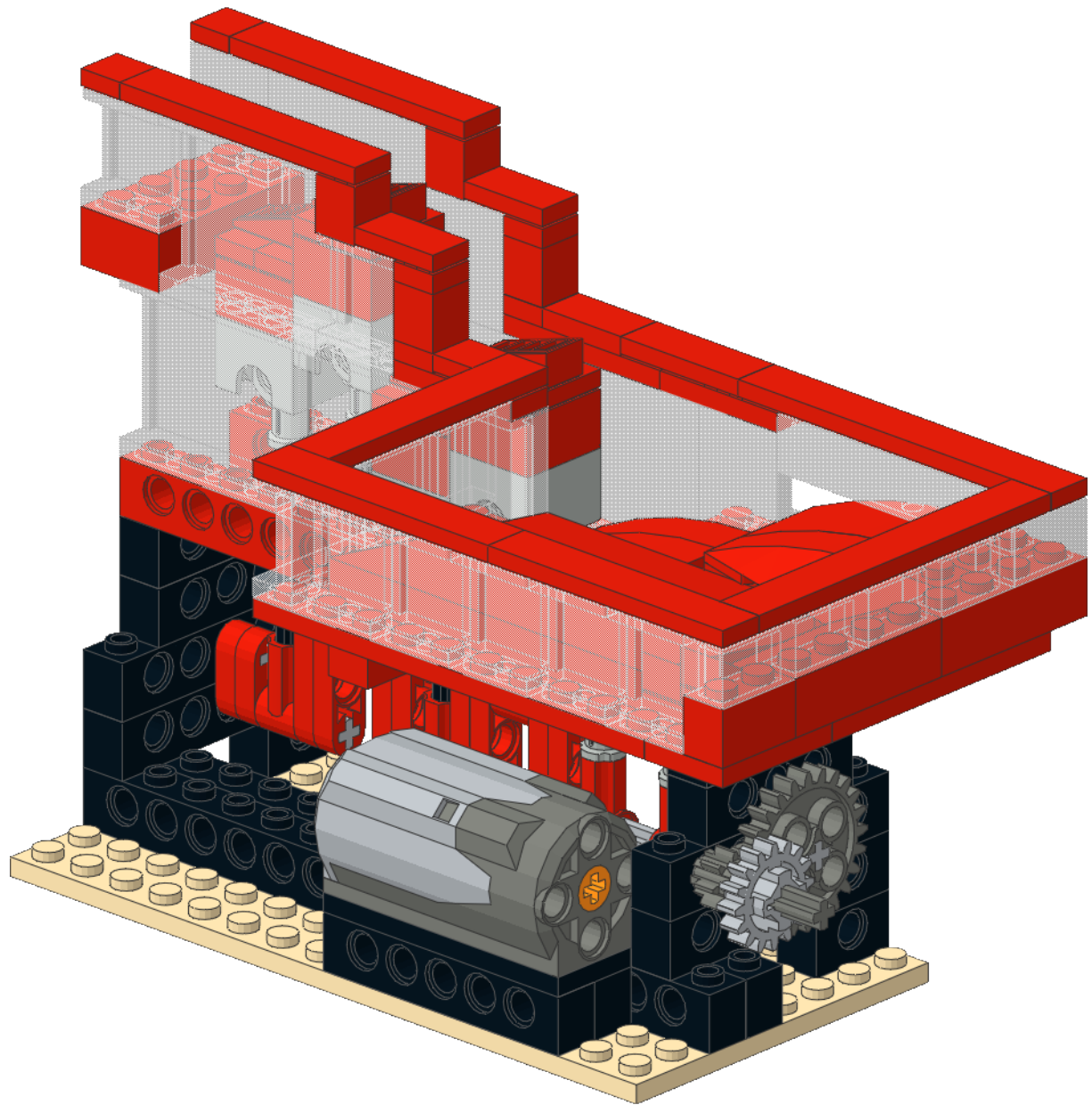



32



33

1x2
2x



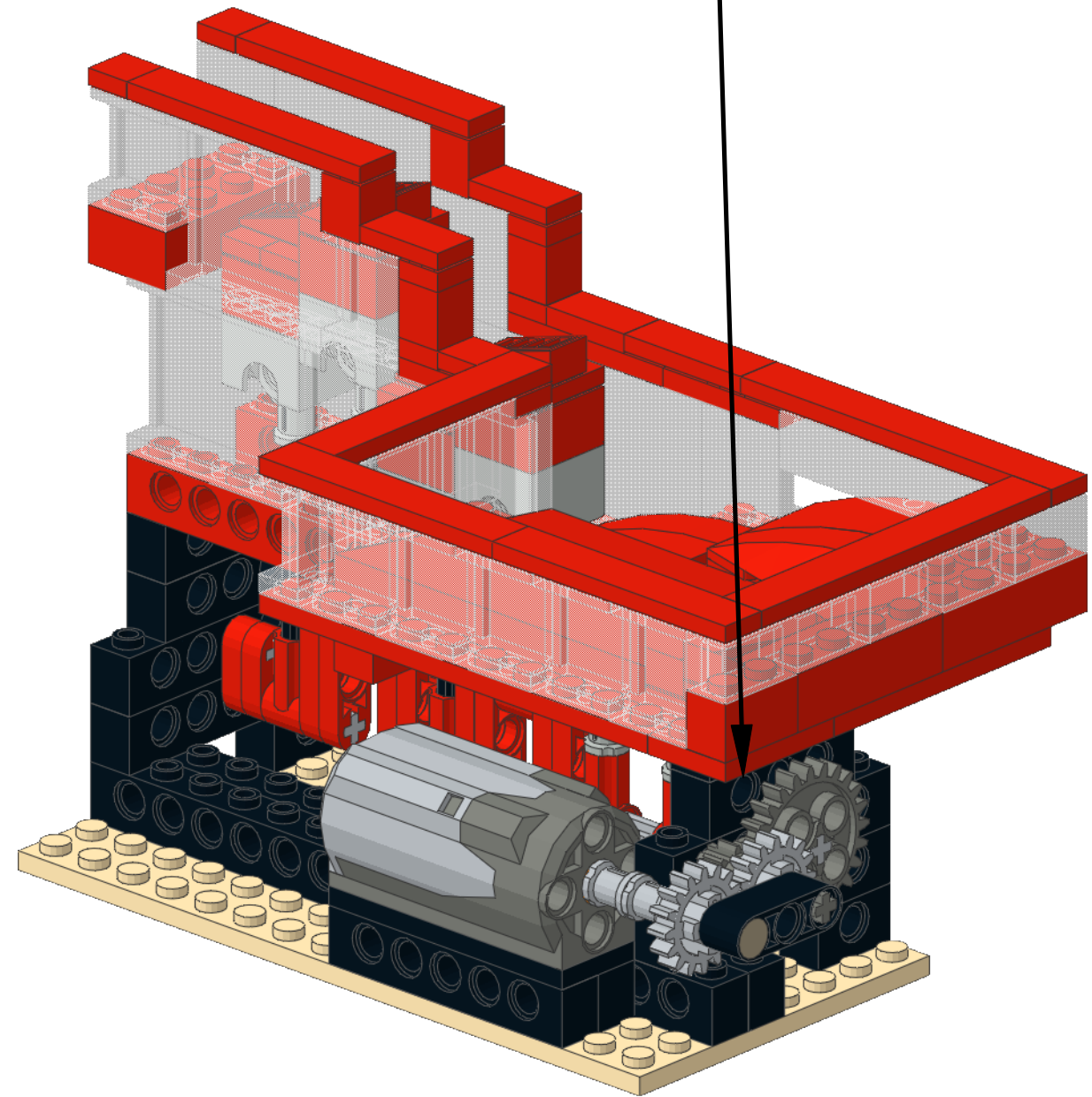
34

5 3 16

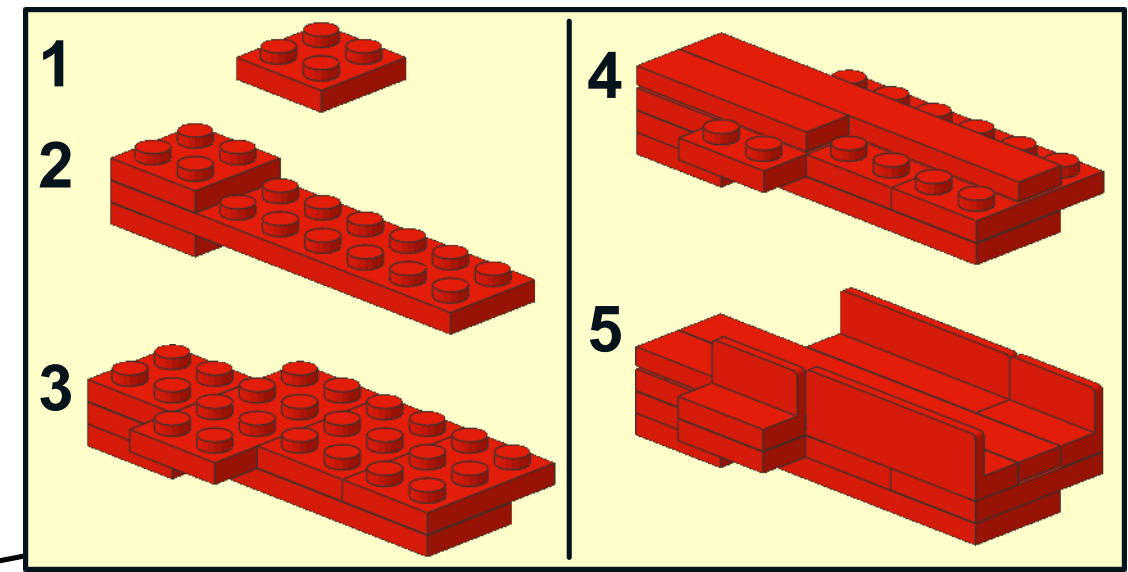
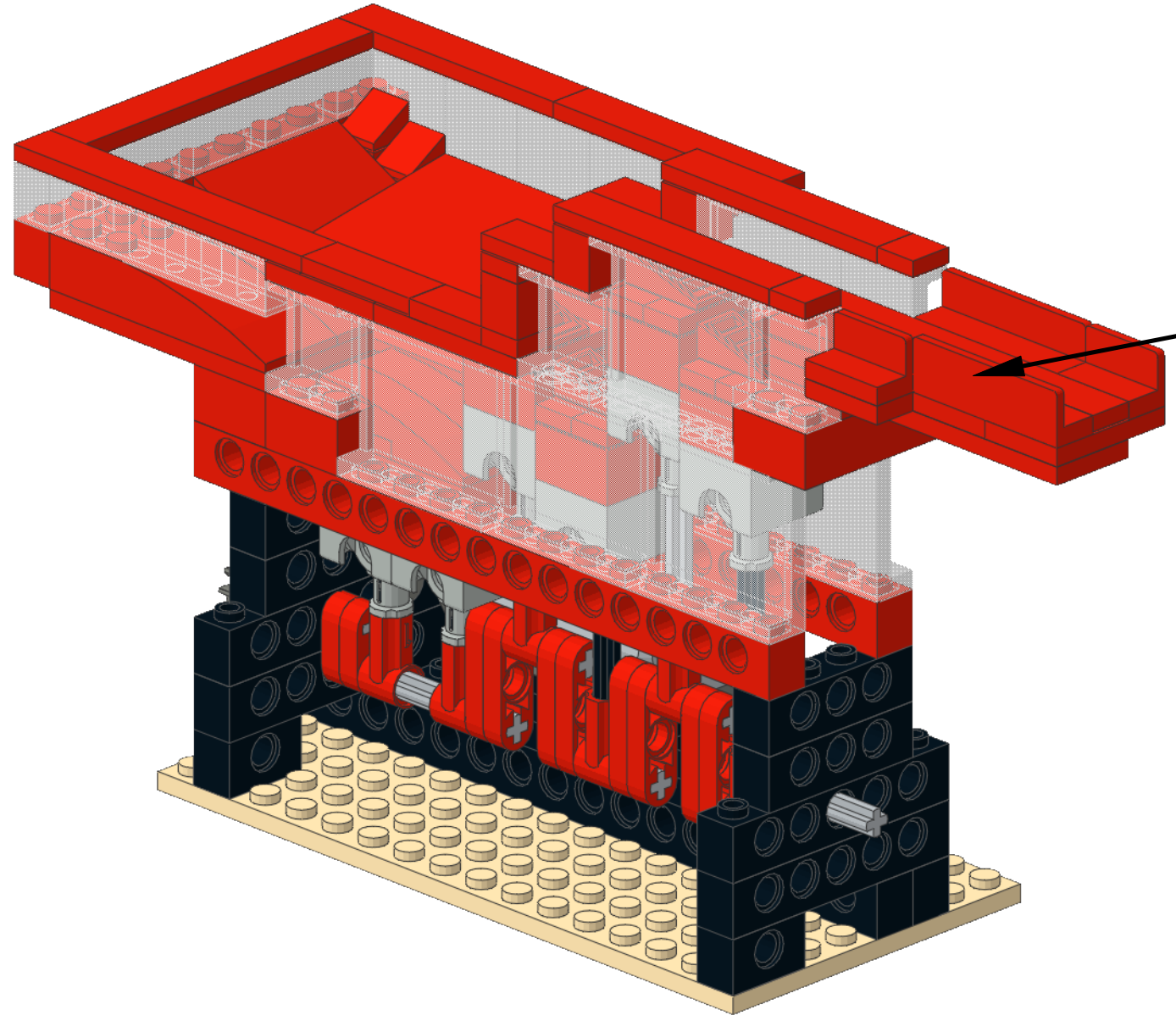
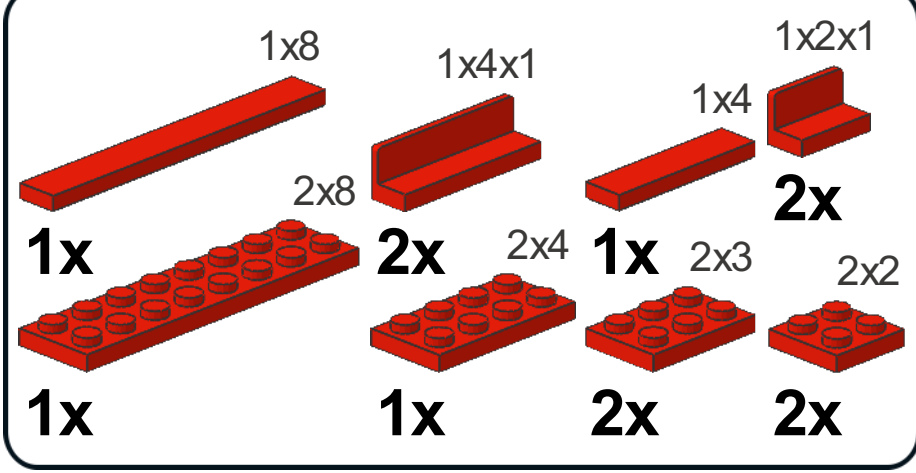
1x 1x 1x 2x

1

2



35



rode-zuiger-lift

Model instructions by Maico Arts

Copyright © 2016

<http://www.greatballcontraption.nl>

lego@t-hok.nl

**LEGO® is a registered trademark of the LEGO Group,
which does not sponsor, endorse, or authorize these
instructions or the model they depict.**

**Instructions configured and generated using LPub3D 1.3.5.615.2
Download LPub3D at <http://sourceforge.net/projects/lpub3d/>**

