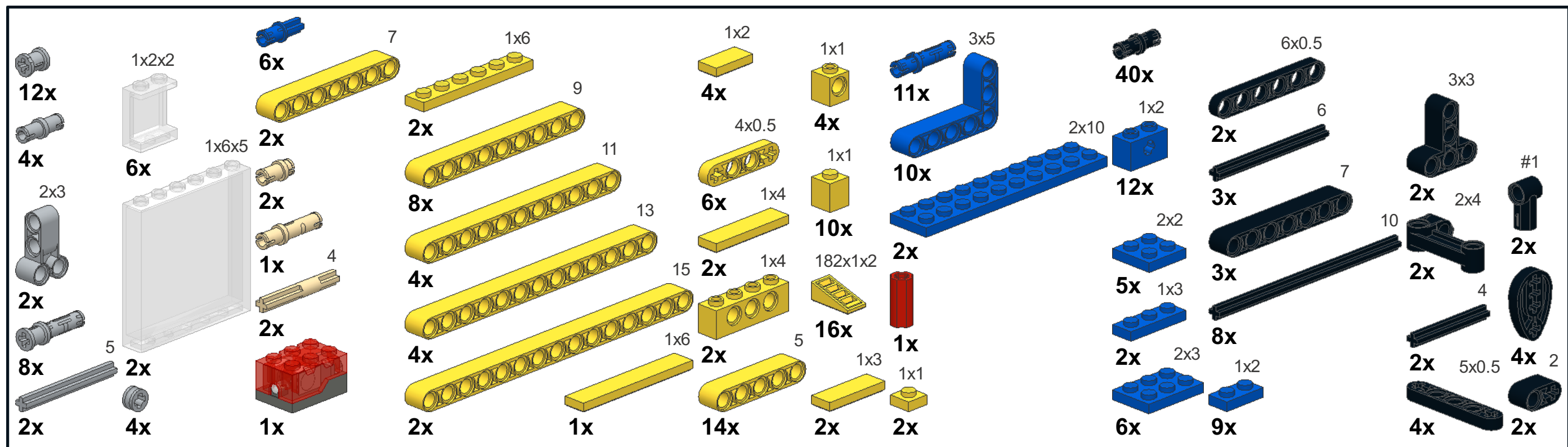
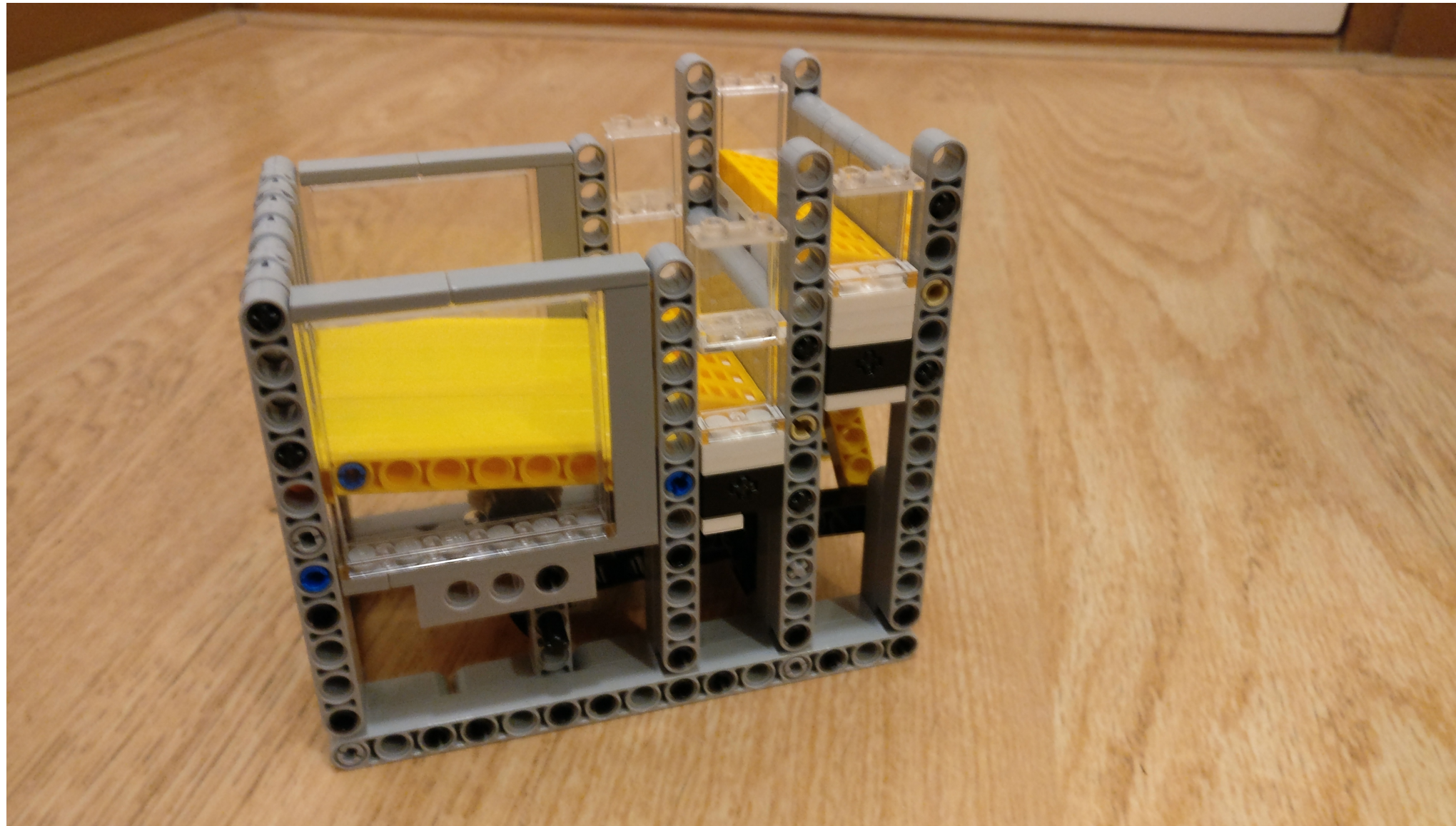
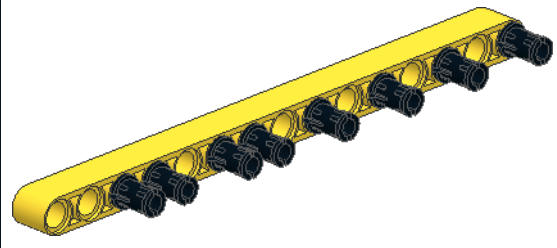
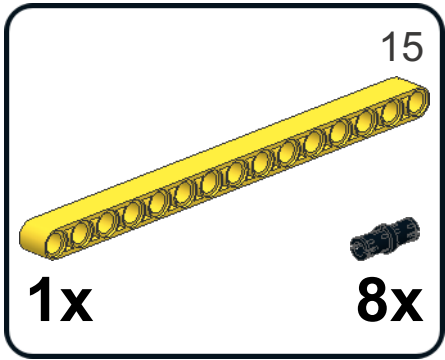


# Skaerbaek 2017

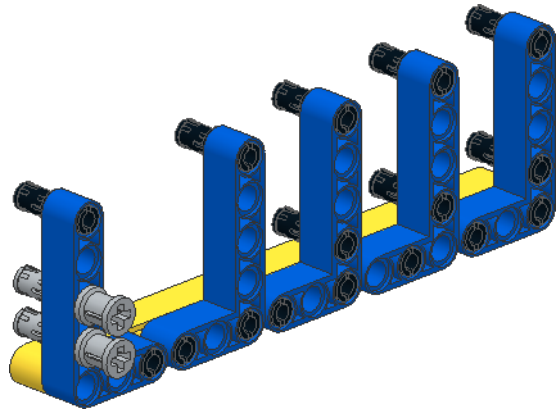
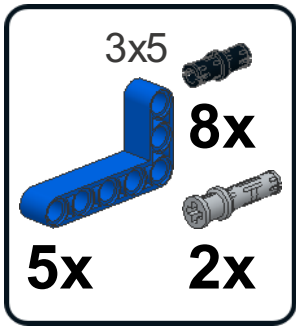
Model instructions by Maico Arts



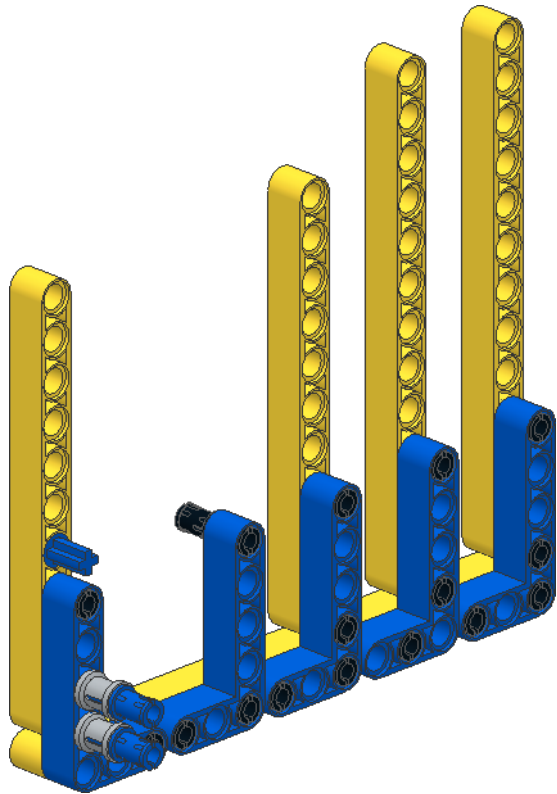
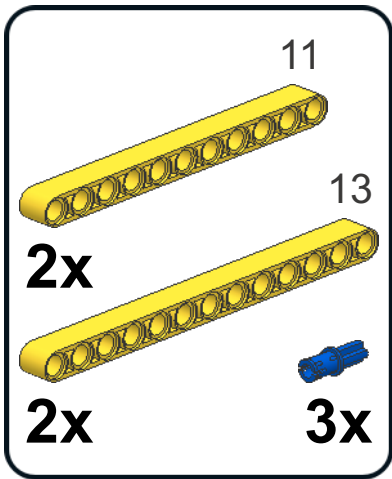
1



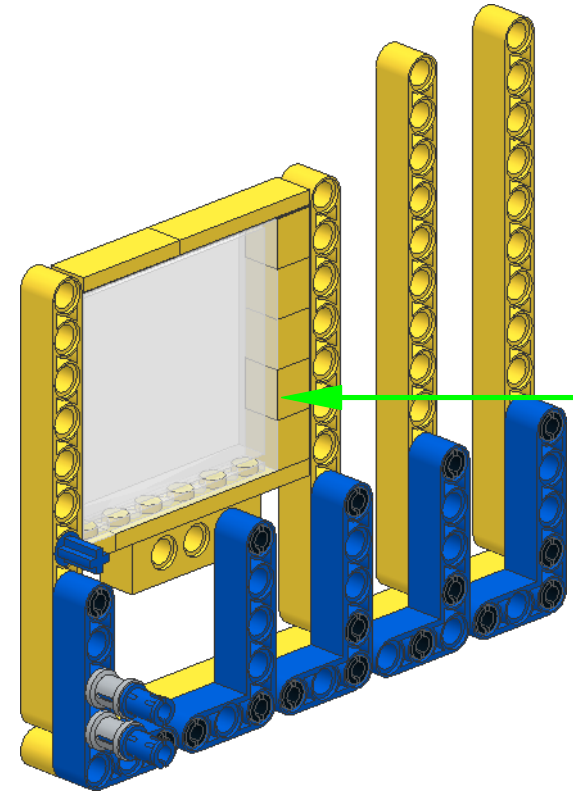
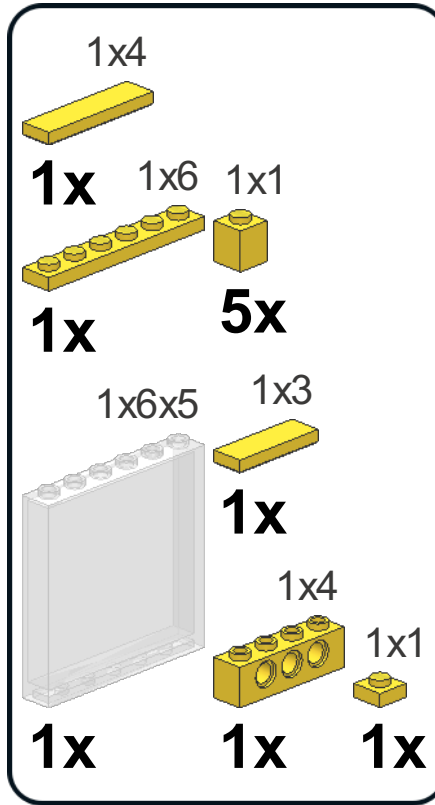
2



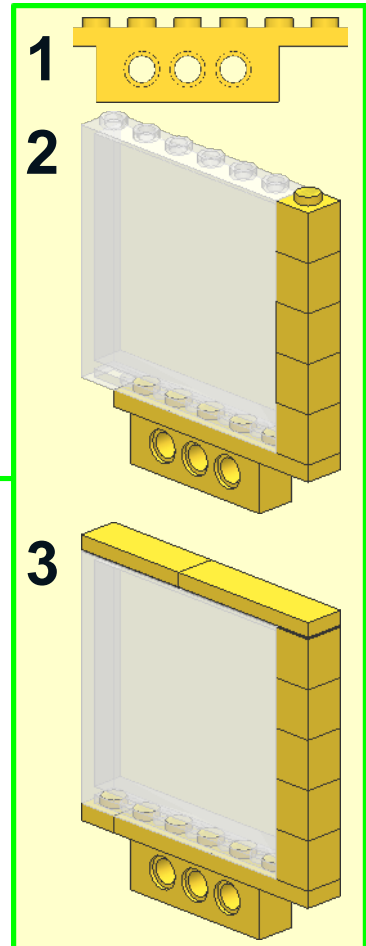
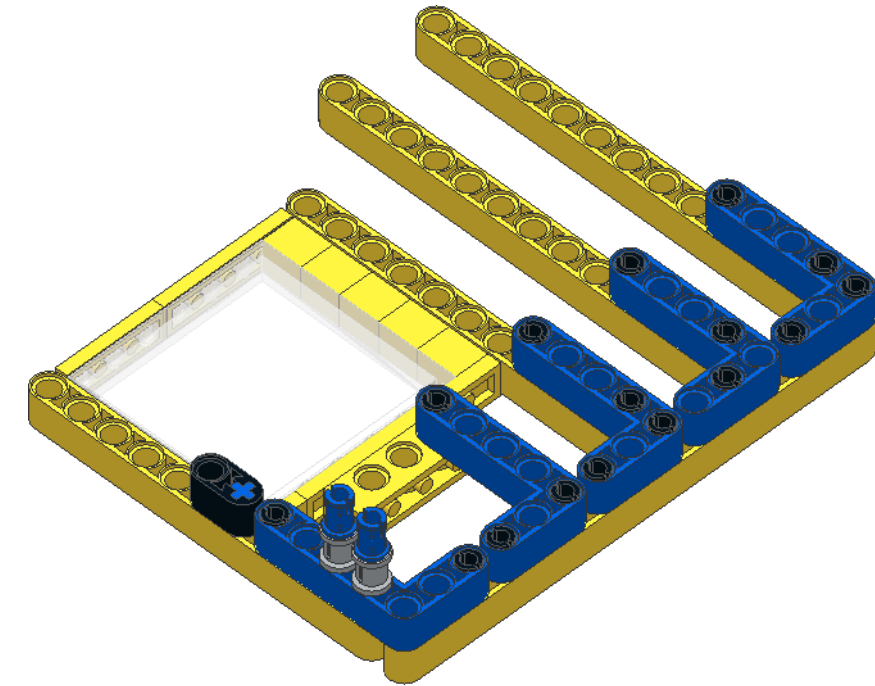
3



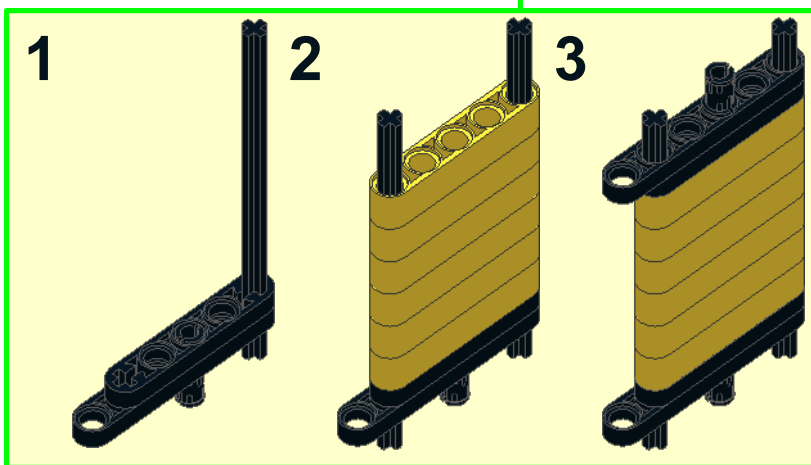
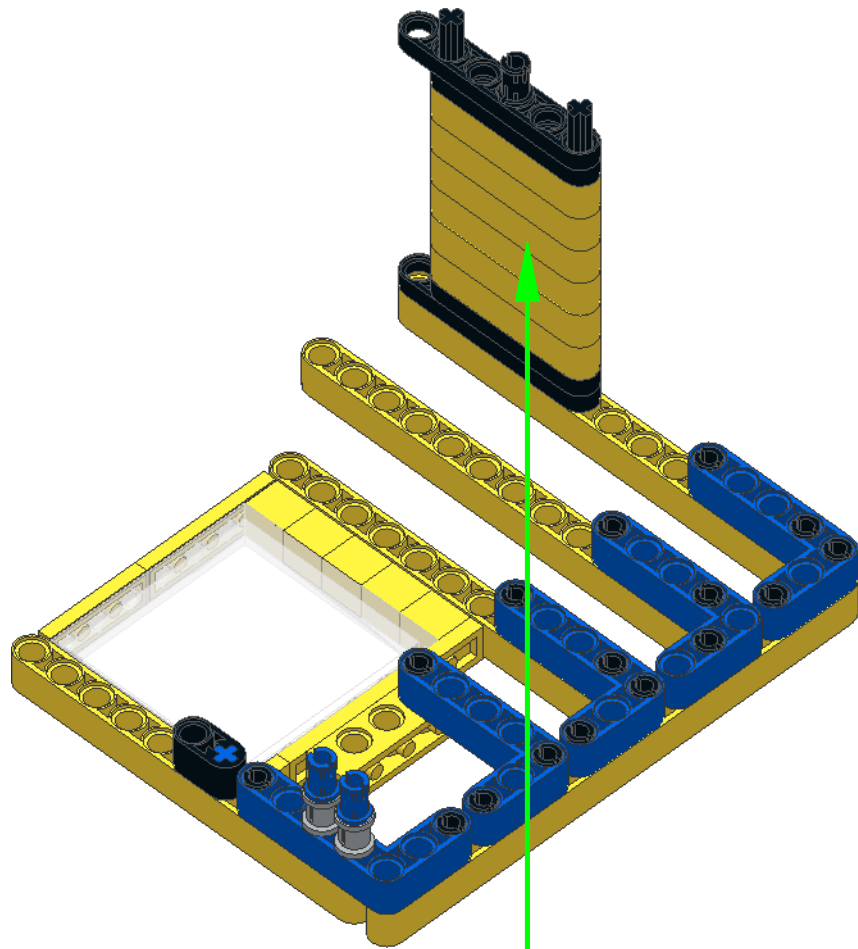
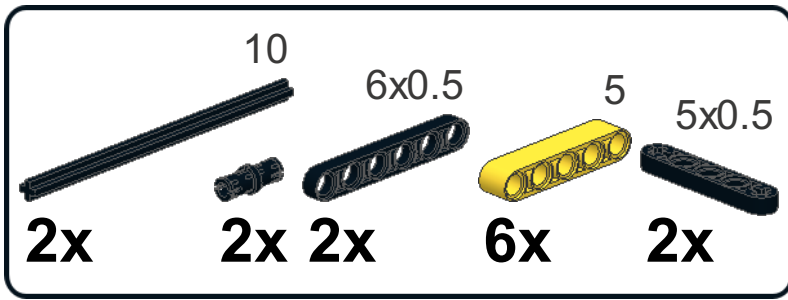
4



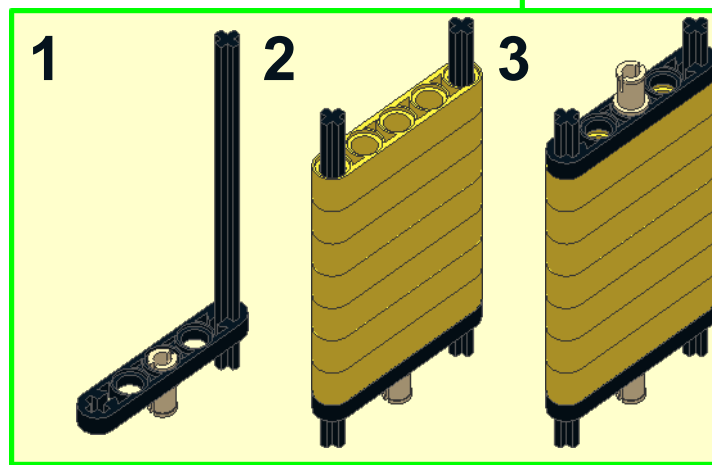
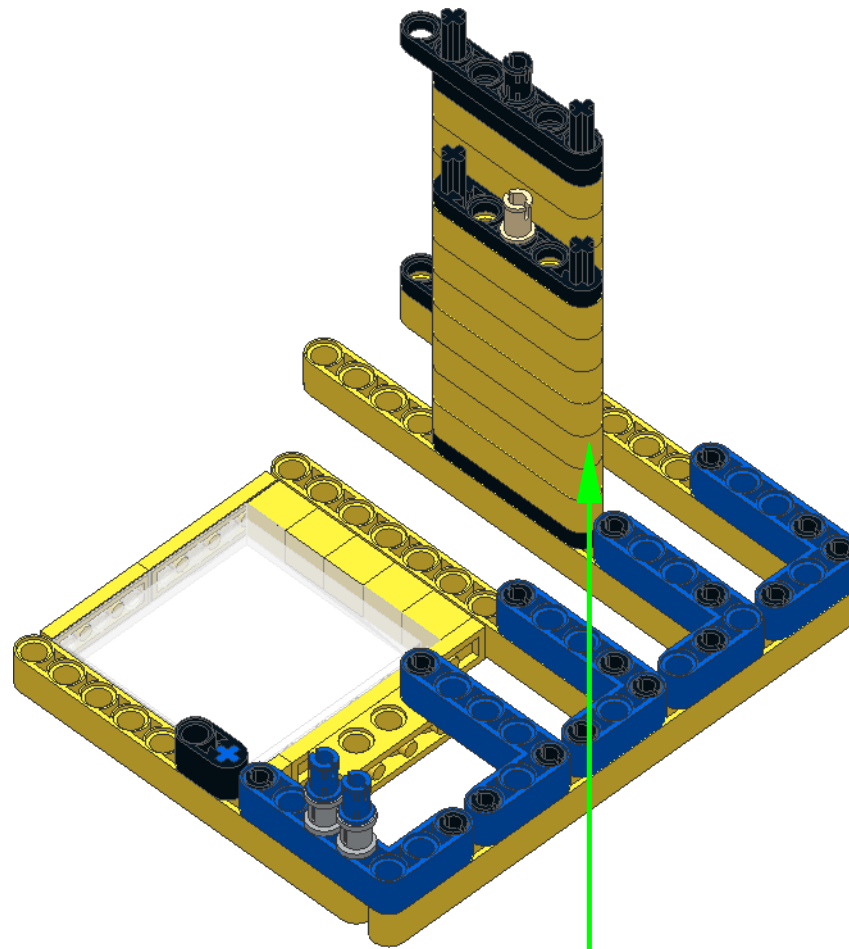
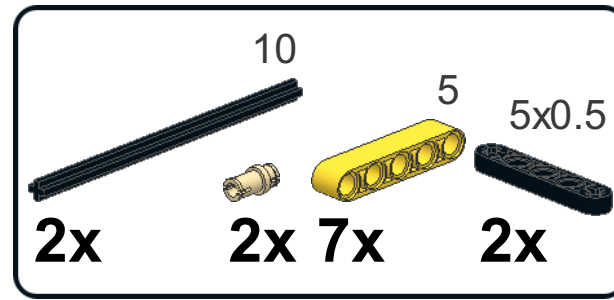
5



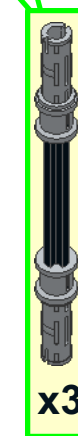
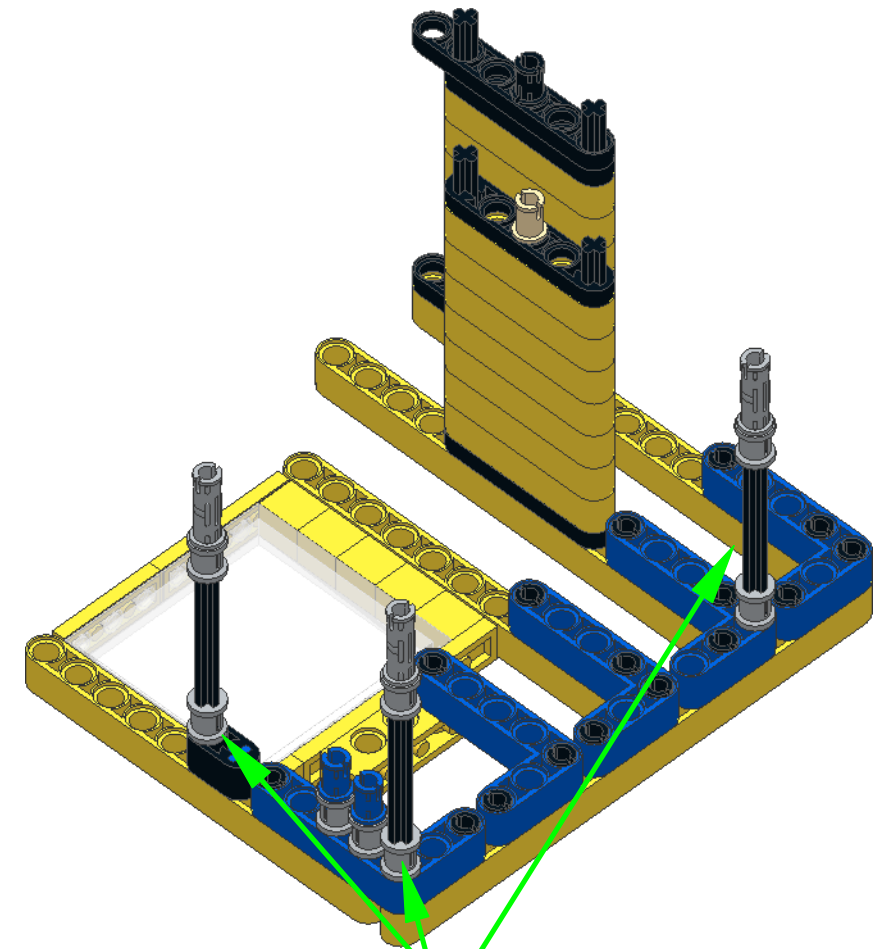
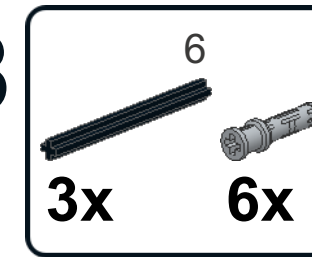
6




7

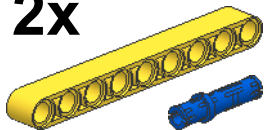



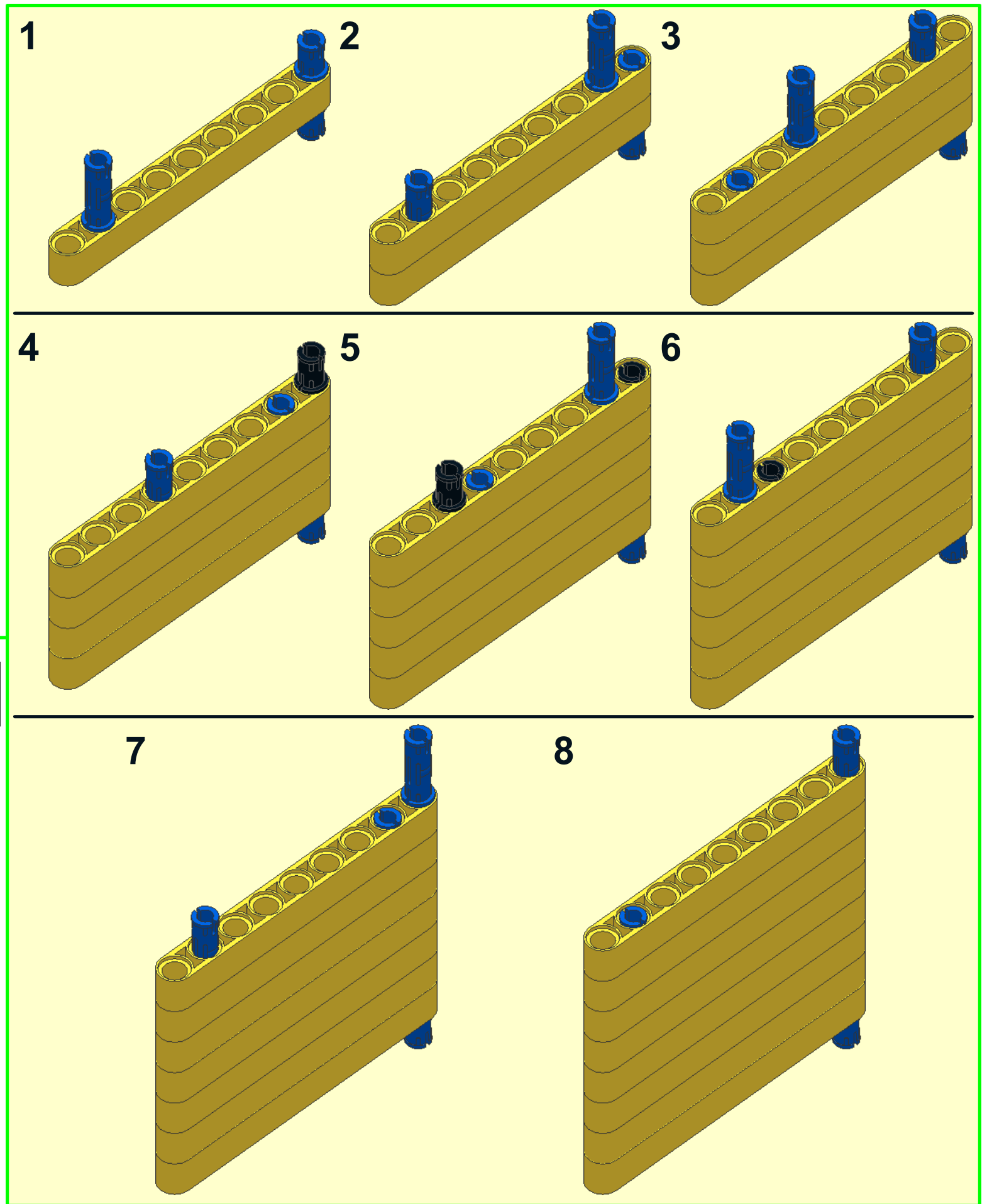
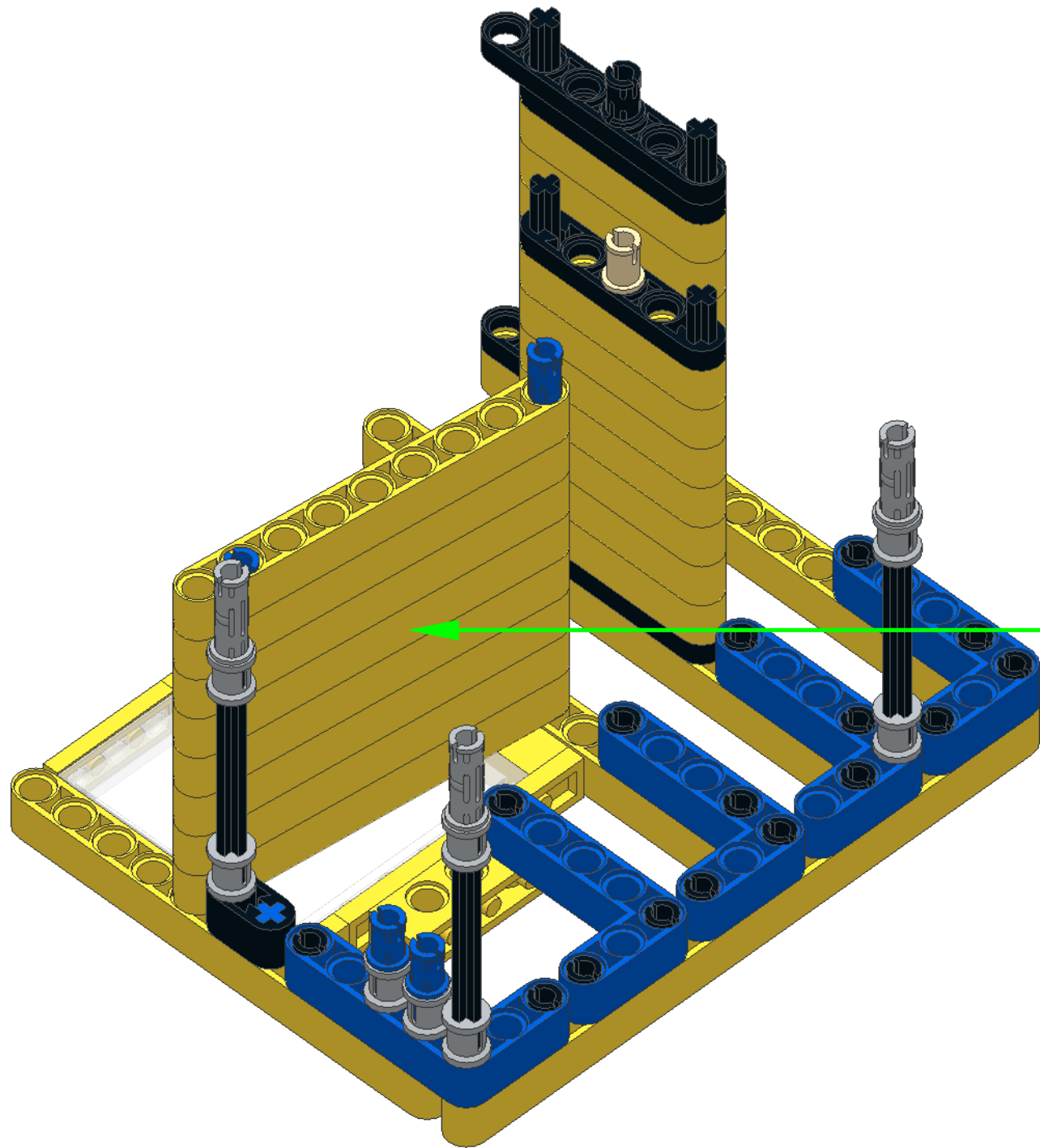
8



**9**

2x  9

8x  7x 



**1**

2x2 1x2  
1x 2x

**2**

10 2x2  
1x 2x

**3**

7  
2x 2x

**4**

2x3 1x2  
2x 4x

**5**

2x3 1x2  
2x 4x

**6**

1x2x2  
1x  
182x1x2  
1x 2x10  
1x

**7**

1x2 1x2x2  
2x 182x1x2 1x  
7x 1x

**8**

1x 7  
1x 2x

**9**

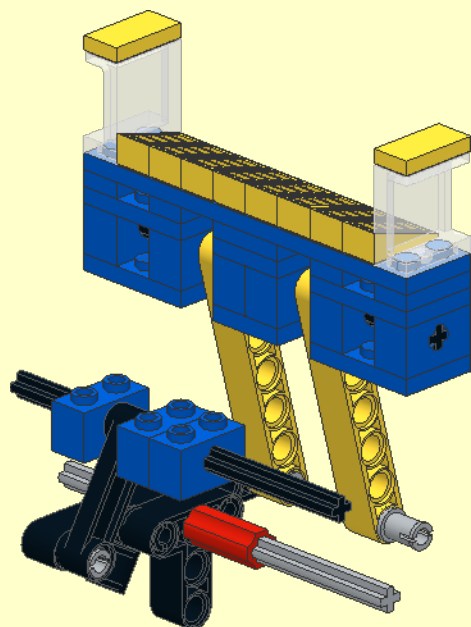
2x4 3x3  
1x 1x

**10**

1x 5  
2x

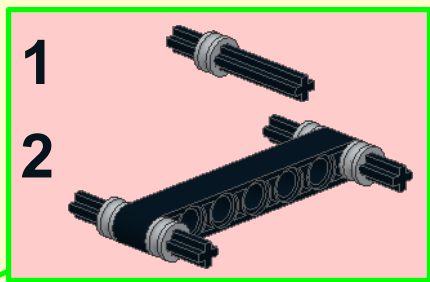
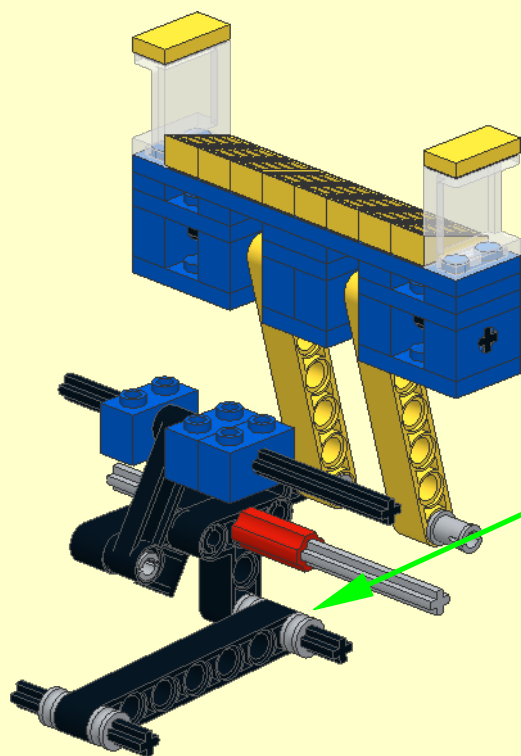
11

- 1x2
- 3x
- 1x
- 10



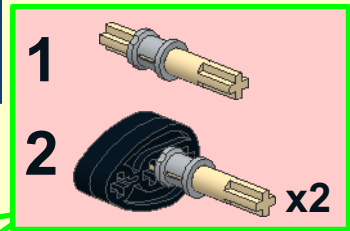
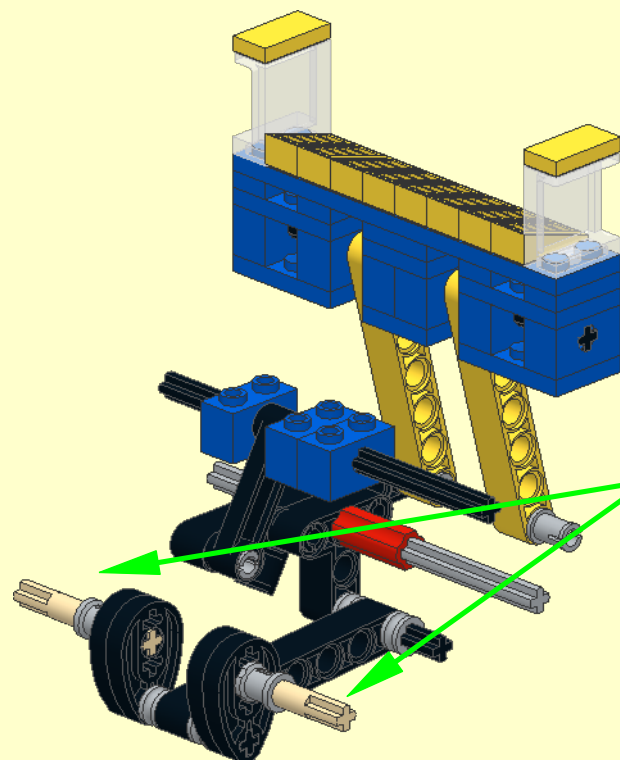
12

- 4x 4
- 2x
- 1x
- 7



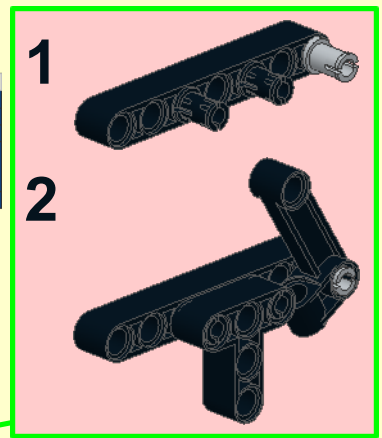
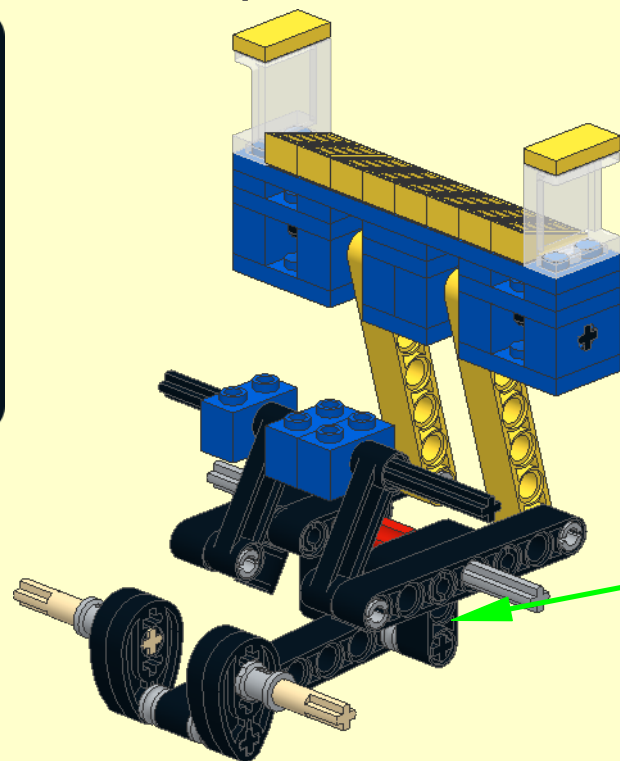
13

- 4
- 2x
- 4x
- 2x

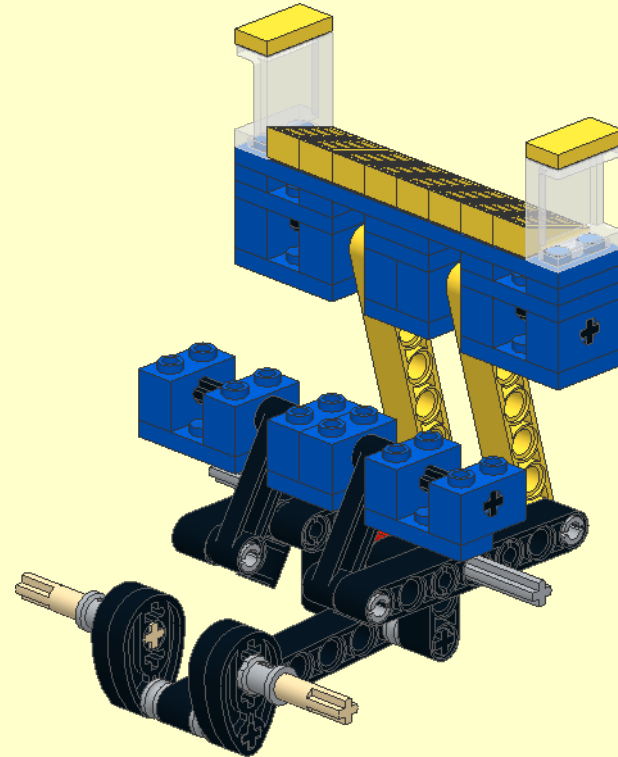
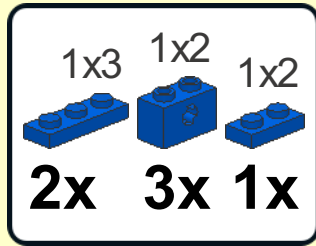


14

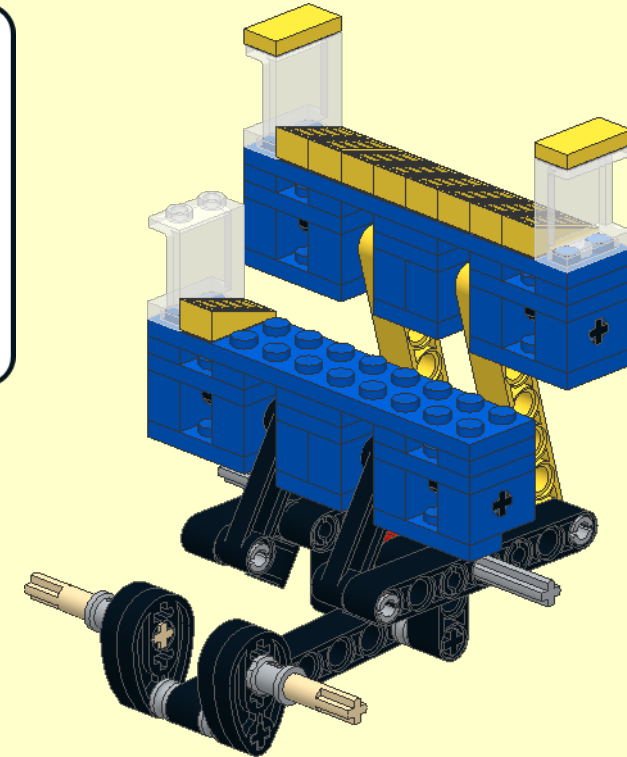
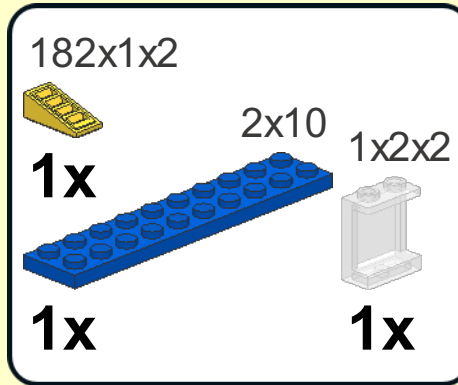
- 2x4
- 1x
- 1x
- 7
- 1x
- 2x
- 1x
- 3x3



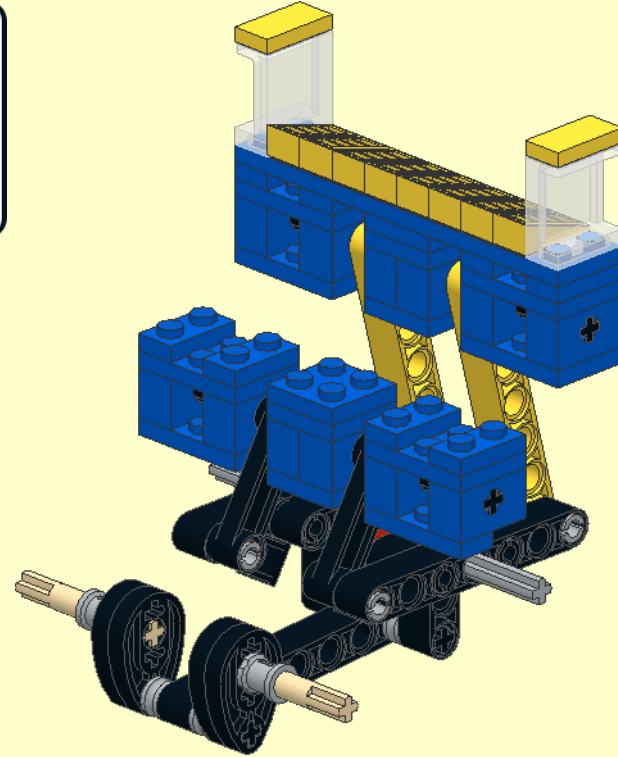
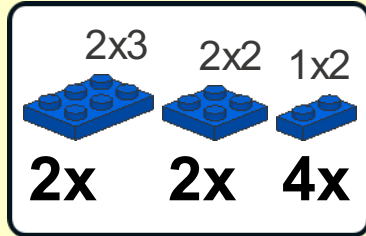
15



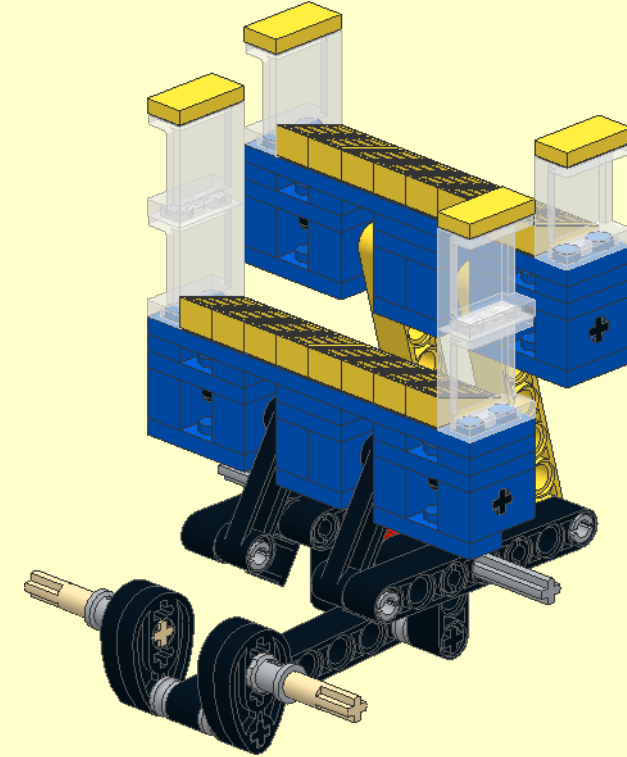
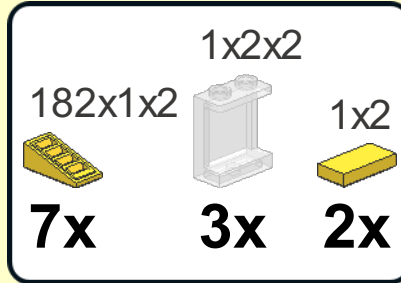
17

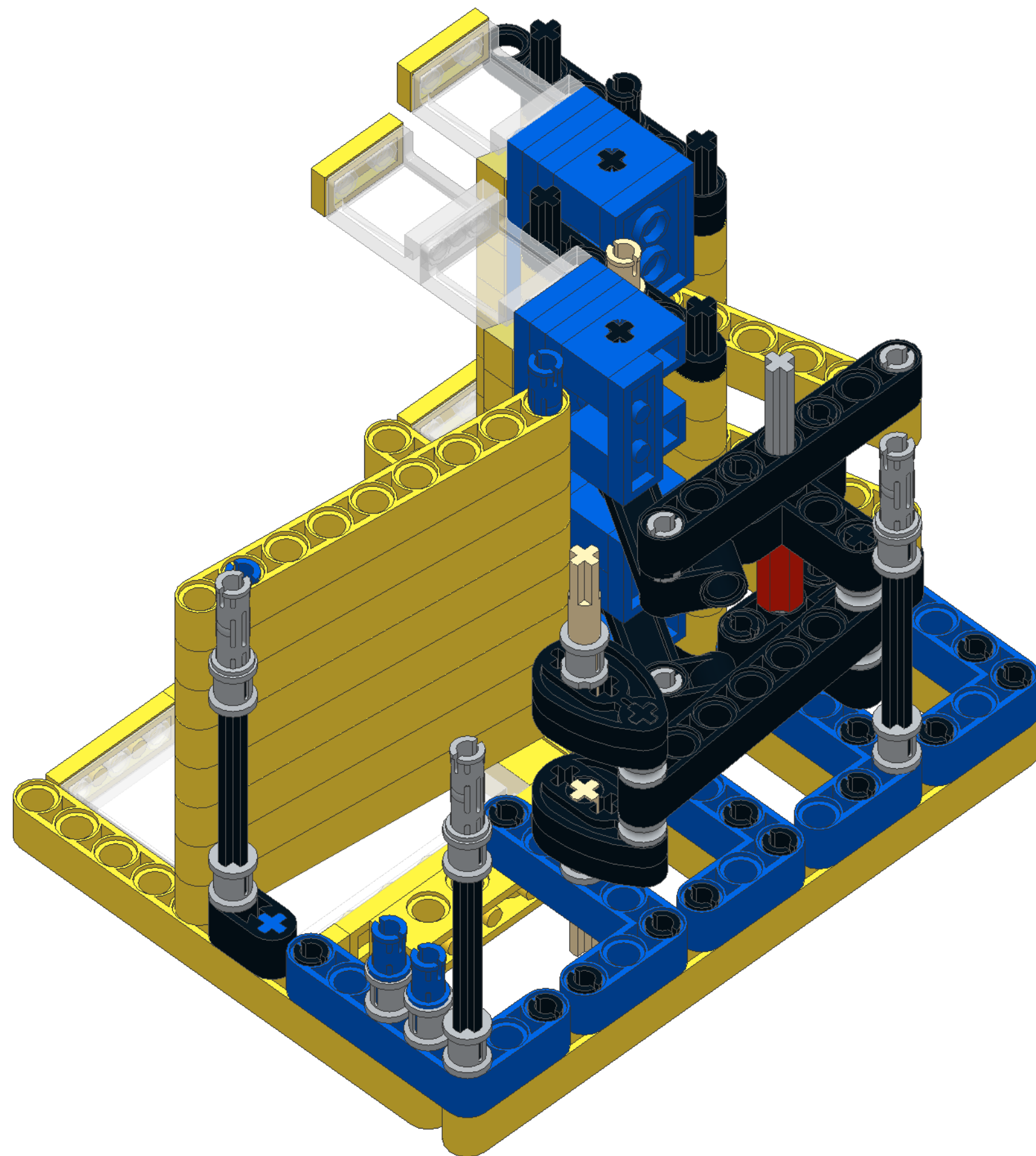


16



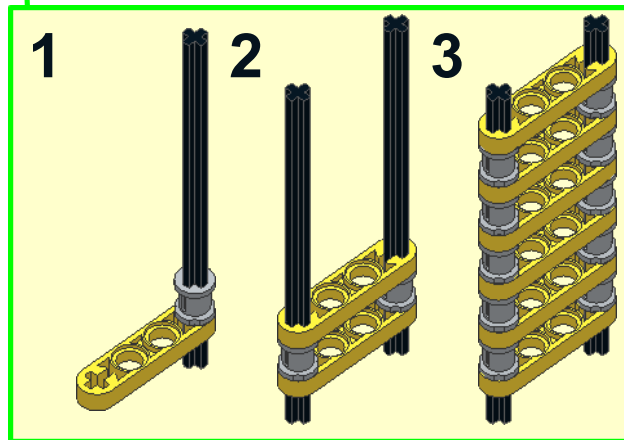
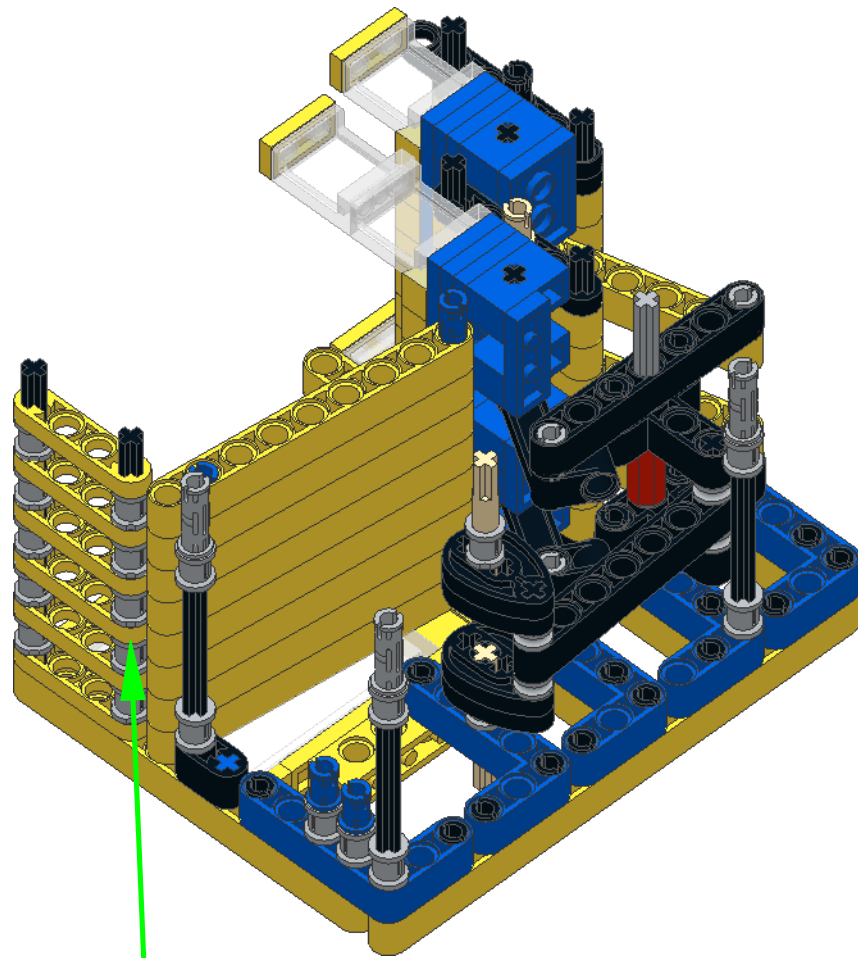
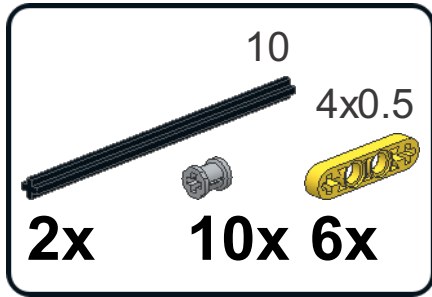
18



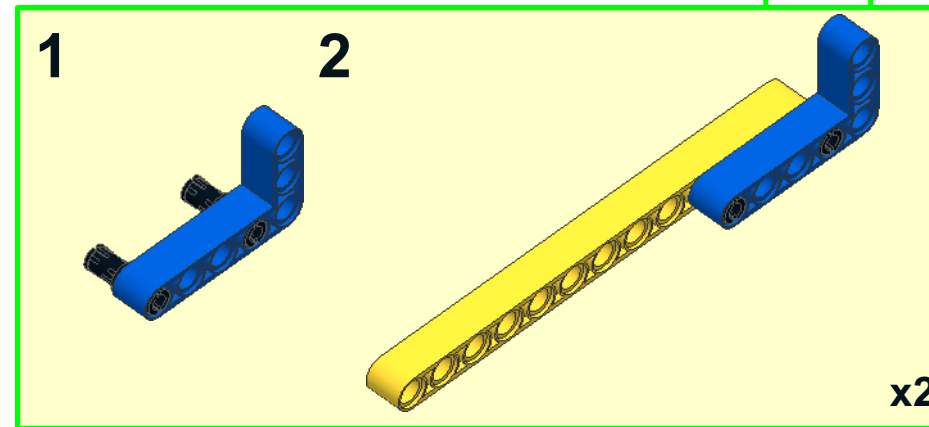
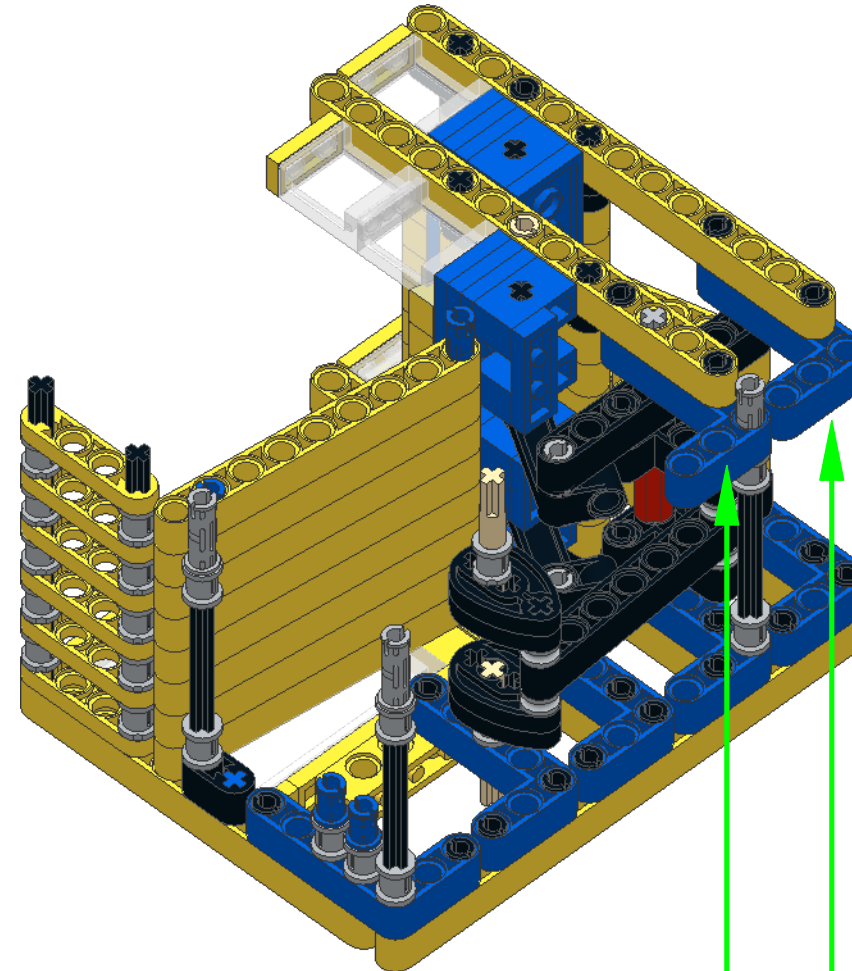
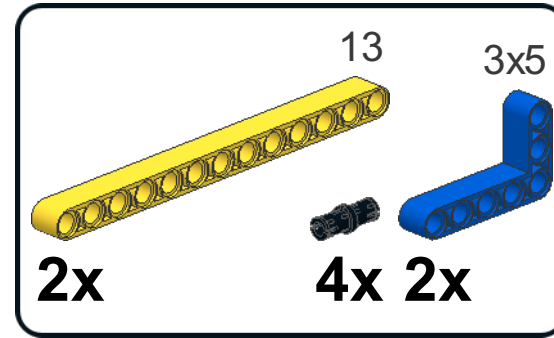




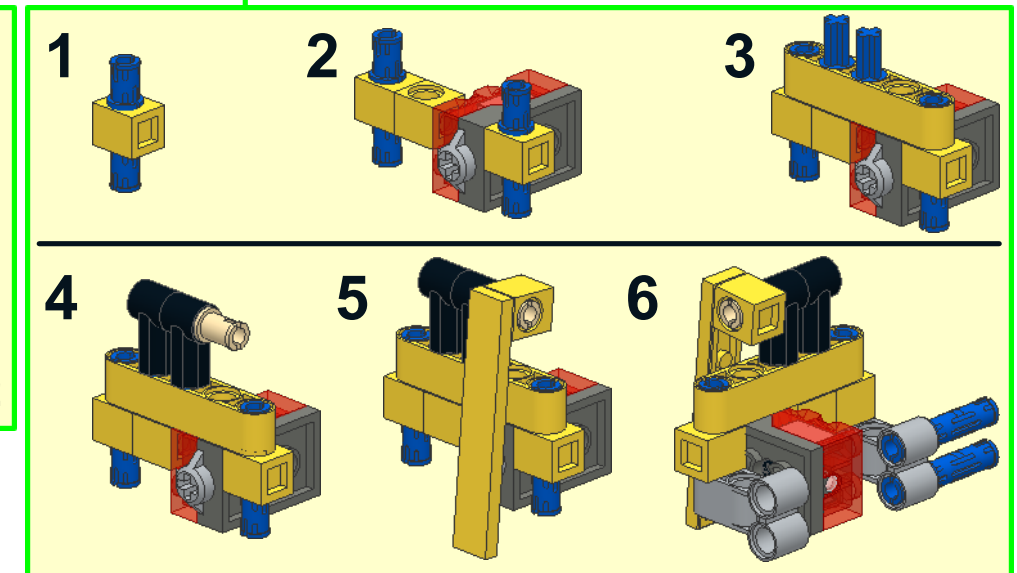
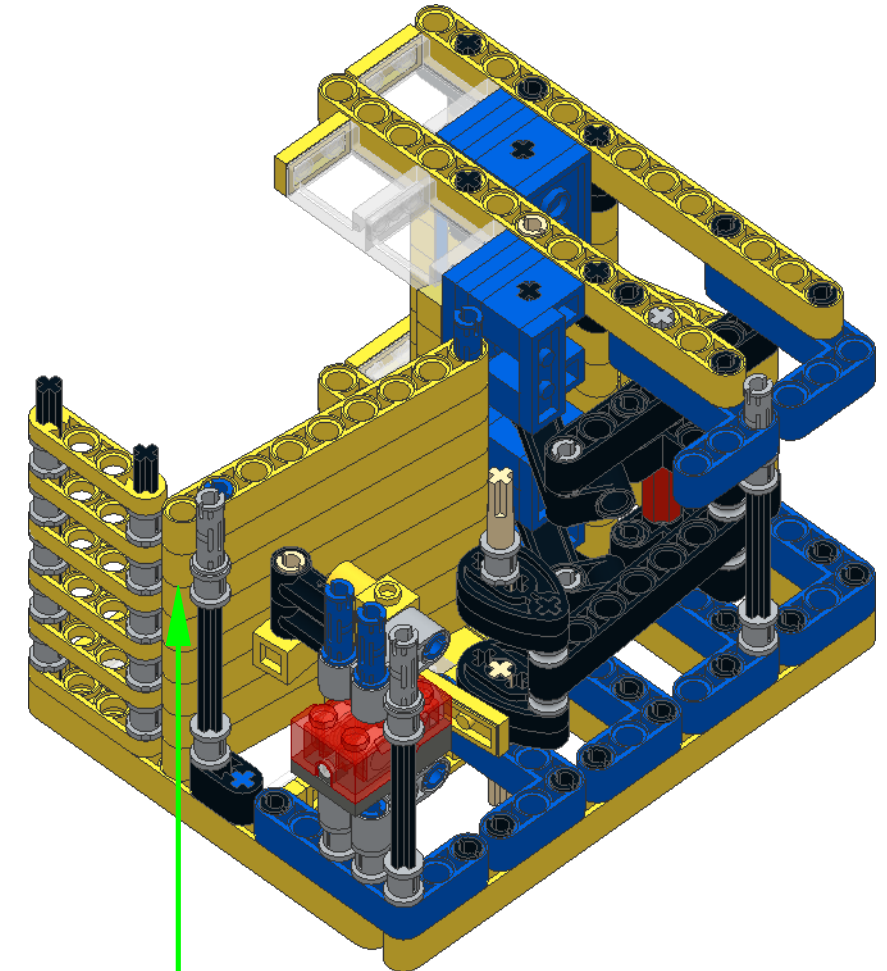
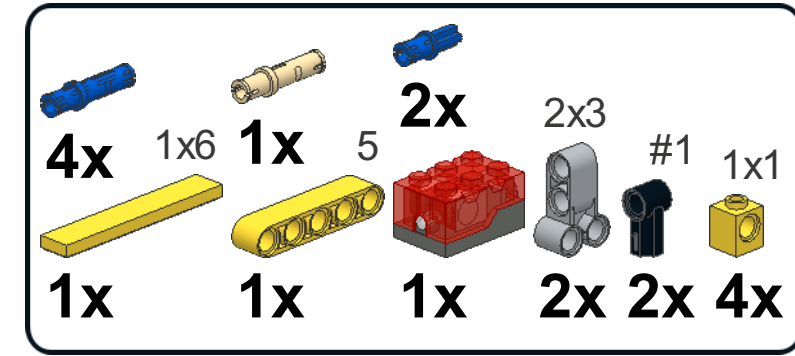
# 11



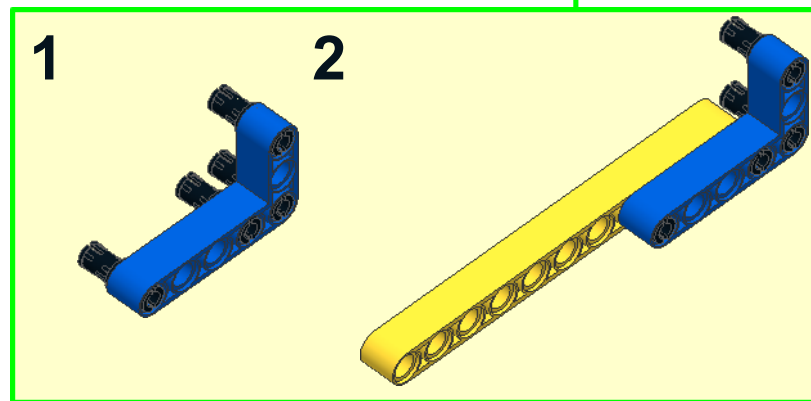
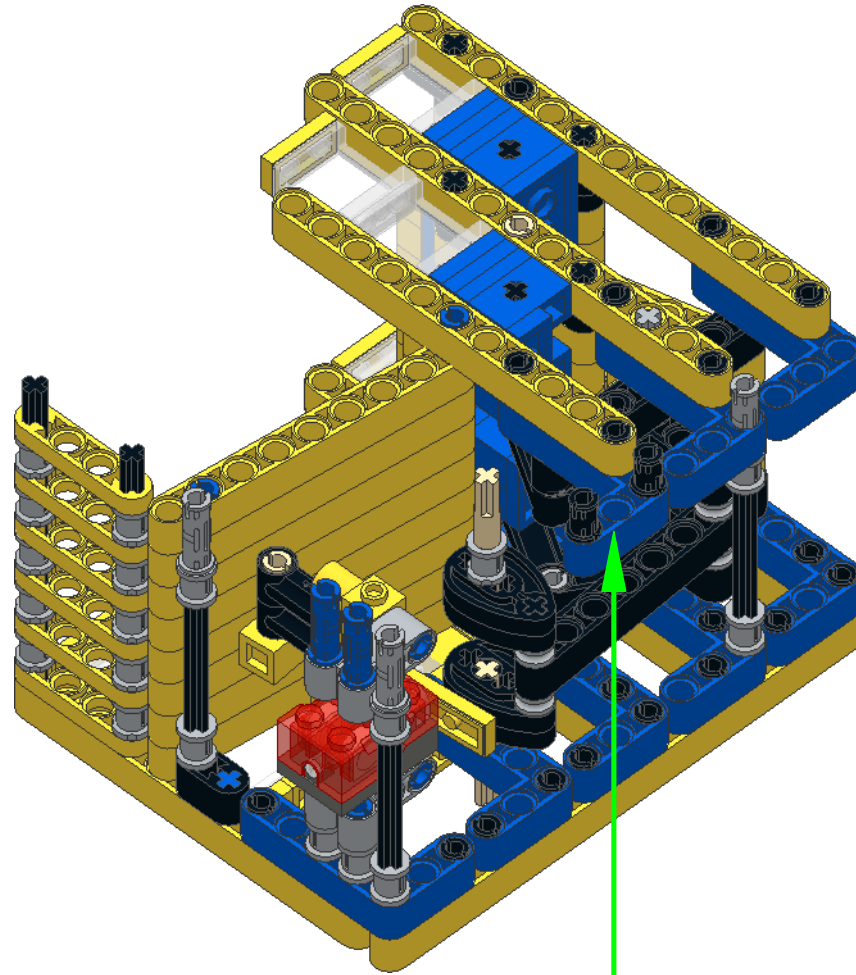
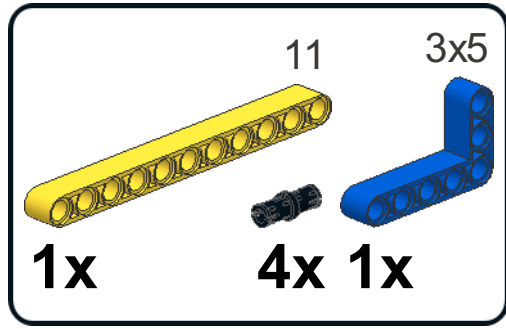
# 12



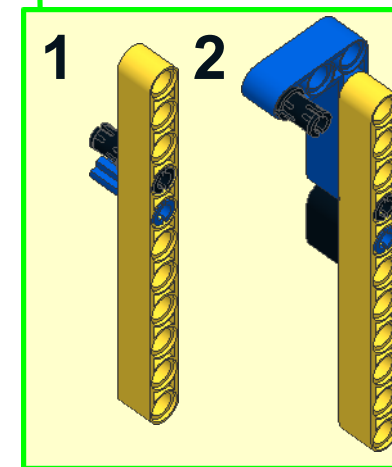
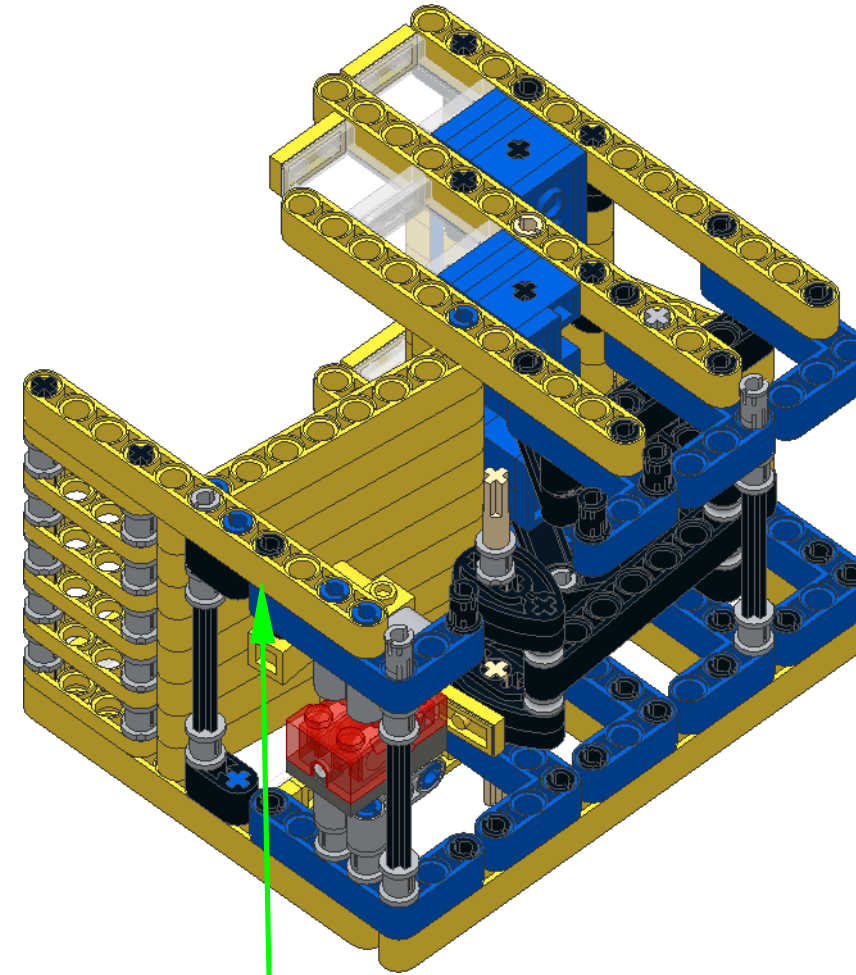
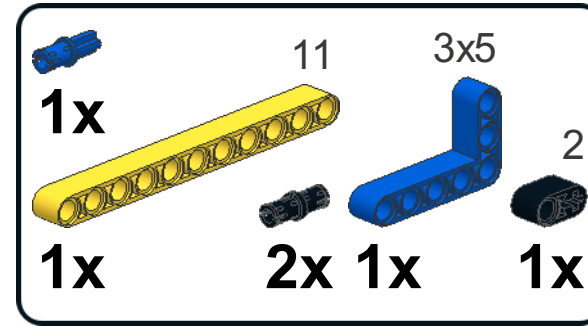
# 13



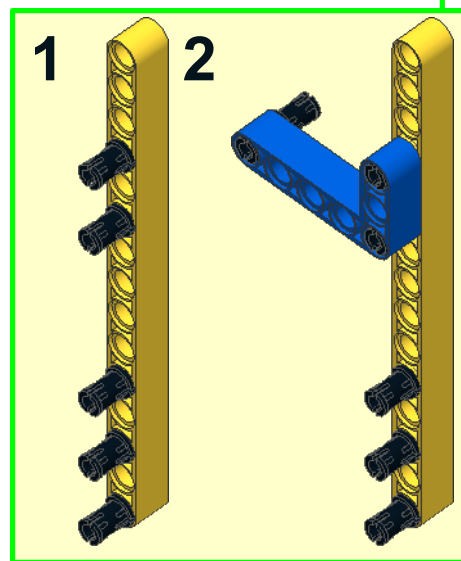
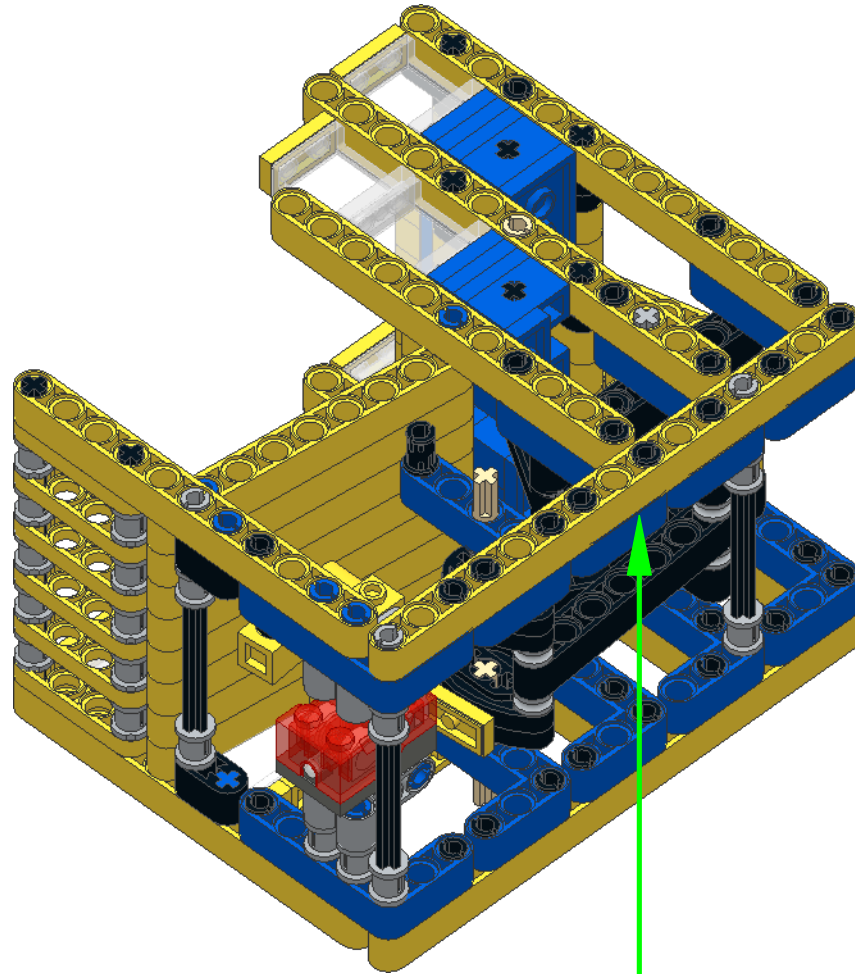
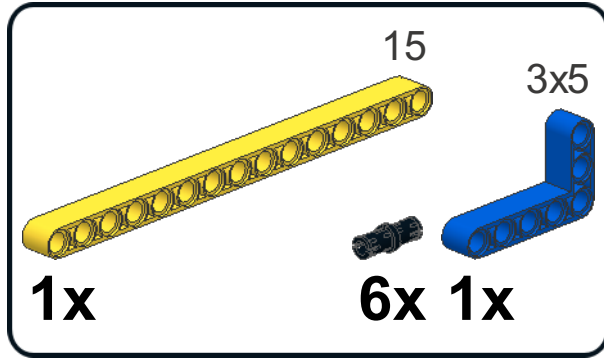
14



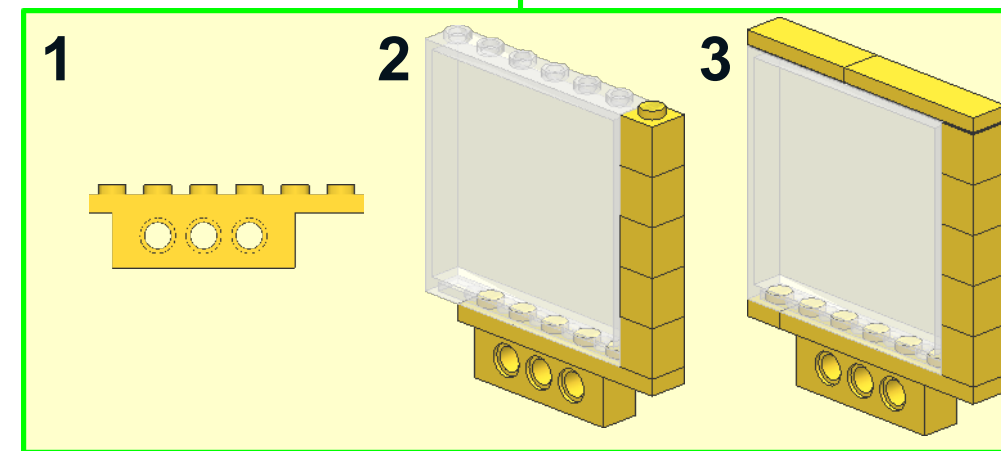
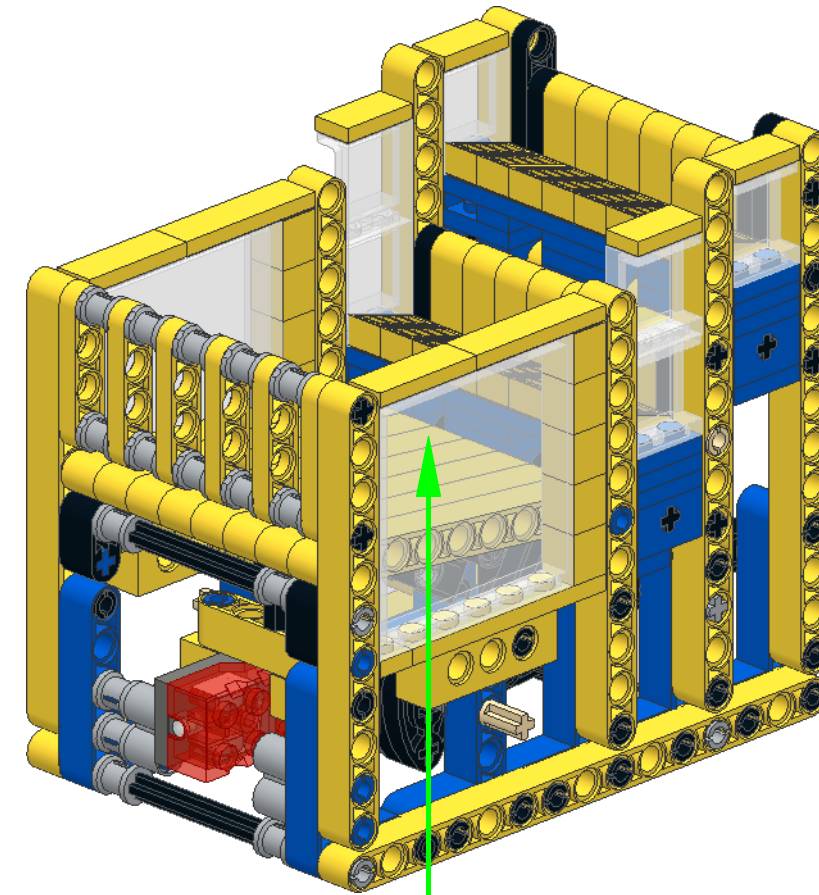
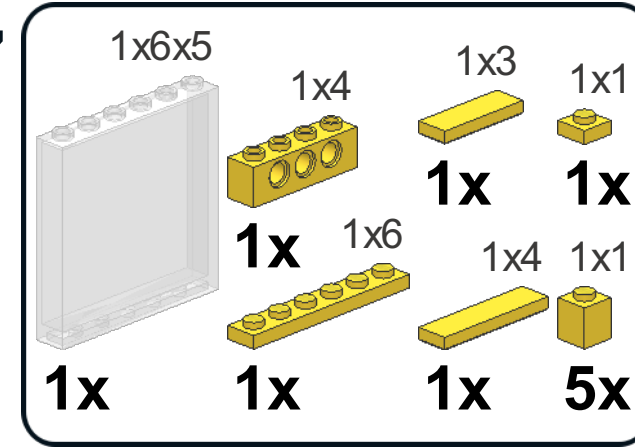
15



16



17



**skaerbaek2017**

**Model instructions by Maico Arts**

**Copyright © 2017**

**[www.greatballcontraption.nl](http://www.greatballcontraption.nl)**

**[lego@t-hok.nl](mailto:lego@t-hok.nl)**

**LEGO® is a registered trademark of the LEGO Group,  
which does not sponsor, endorse, or authorize these  
instructions or the model they depict.**

**Instructions configured and generated using LPub3D "2"."0"."20".0.645  
Download LPub3D at <http://sourceforge.net/projects/lpub3d/>**

