

2x
2x
4x
2x
2x
2x
2x
2x
4x
4x
4x
4x
4x
4x
2x
2x
2x
2x
2x
12x

4x
2x
1x
2x
5x
27x
2x
1x
2x
2x
4x
2x
2x
2x
2x
2x
2x
2x
8x
4x
12x

9
11
13
2x
16x
4x
2x
2x
2x
1x
5
1x
2x
2x
2x
2x
2x
2x
2x
2x
2x
1x
7x
1x
6x

1x
1x
1x
14x
31x
20x
2
7x
4
4x
3
21x
5
3x
9x
8

1x
1x
14x
6x
2x
1x
34x
1x
2x
1x
2x
1x
1x
2x
1x
1x
1x
2x
1x
6x
1x

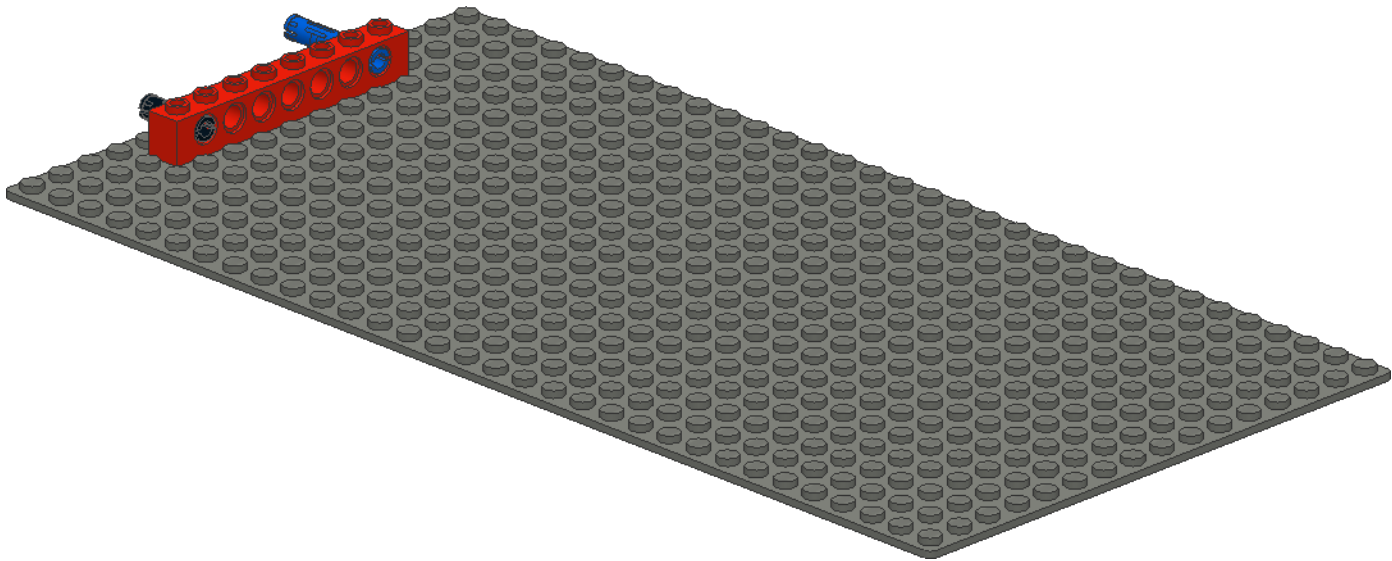
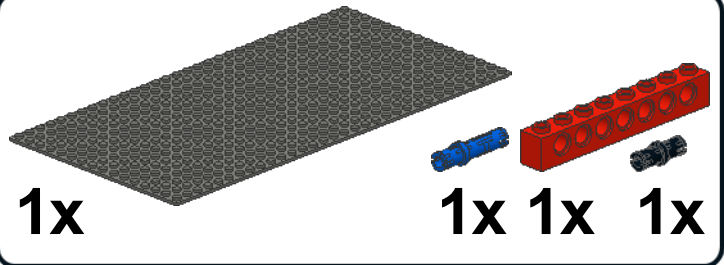
14x
6x
2x
1x
34x
1x
2x
1x
2x
1x
1x
2x
1x
1x
2x
1x
6x
1x

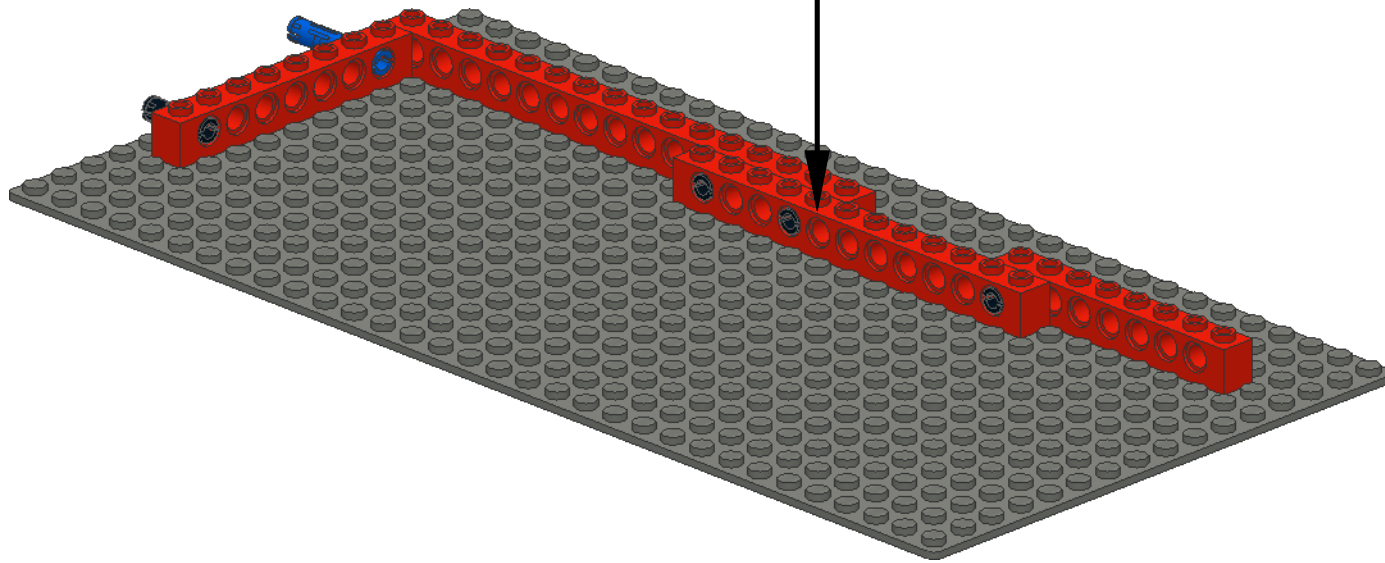
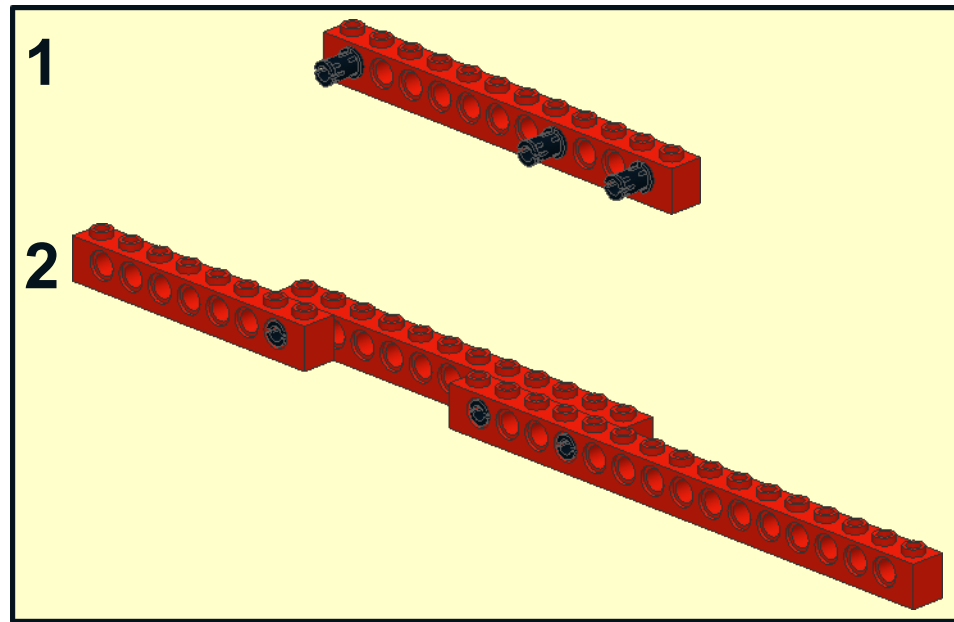
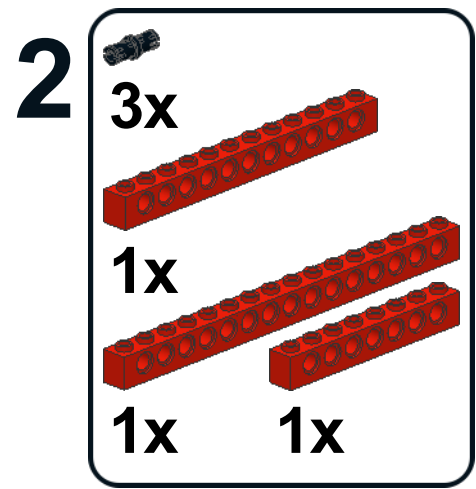
9x
8x
2x
5x
2x
2x
1x
1x
2x
2x
1x
2x
2x
4x
4x
10x
2x
4x

1x
2x
2x
2x
2x
1x
2x
2x
2x
4x
2x
2x
4x
2x
1x

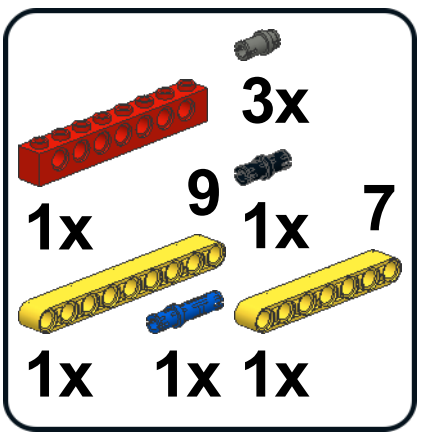
4x
16x
2x
4x
2x
2x
4x
2x
1x

1



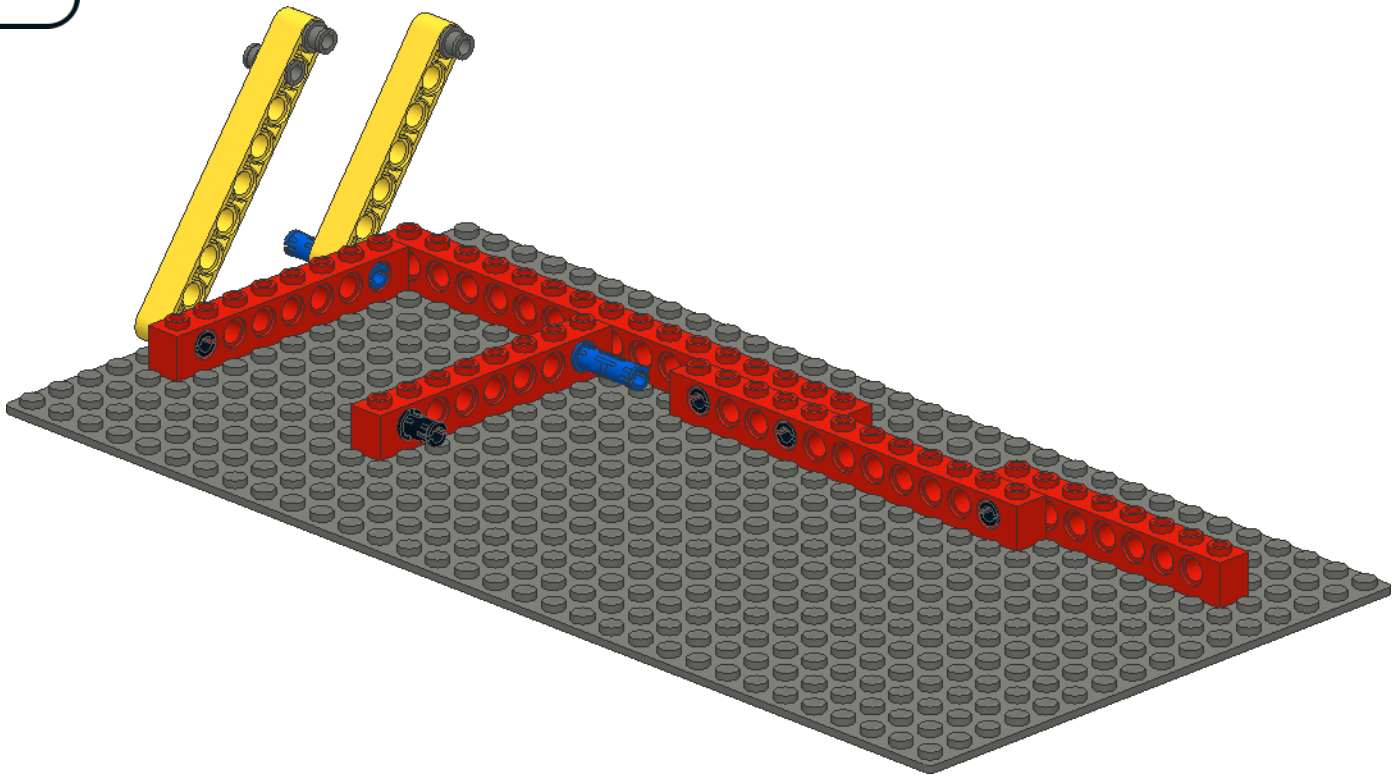


3







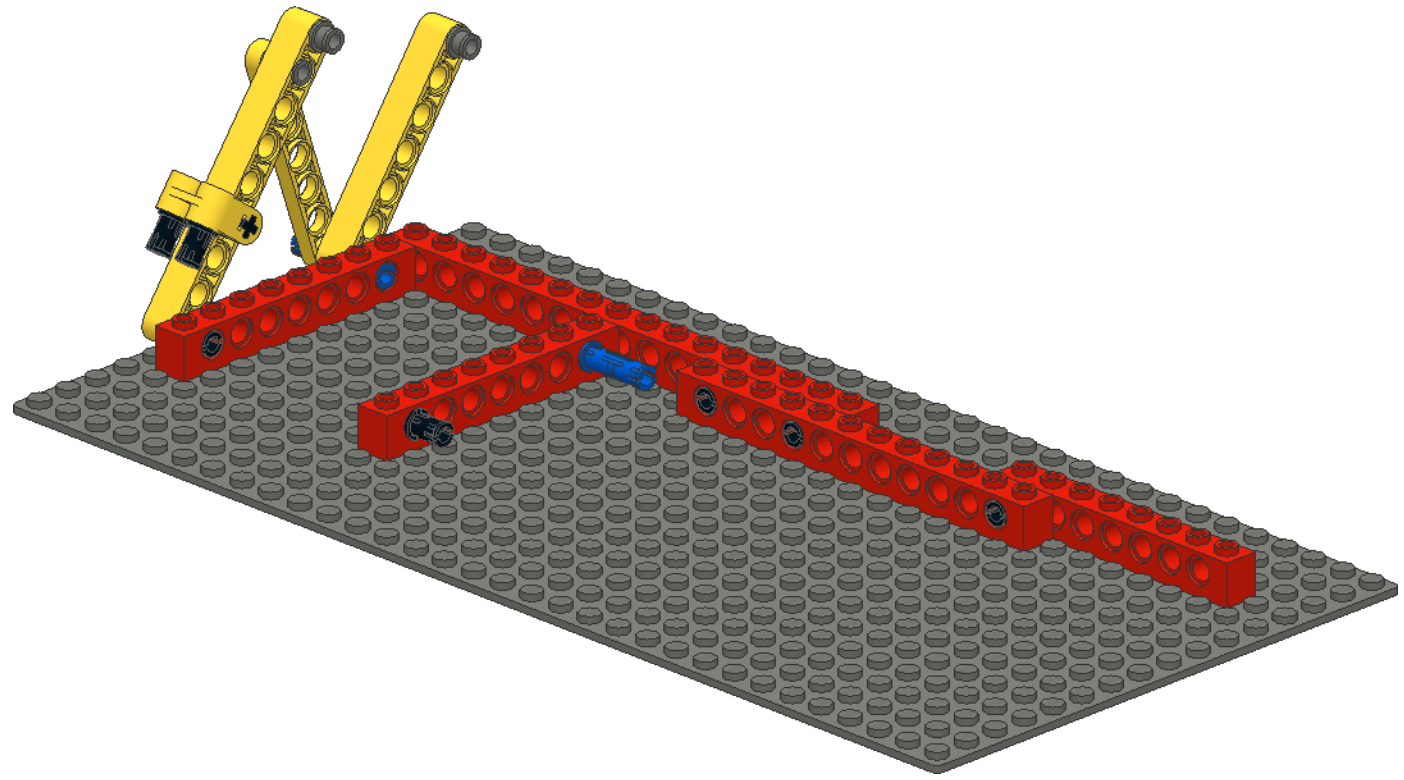
Parts list for step 3:

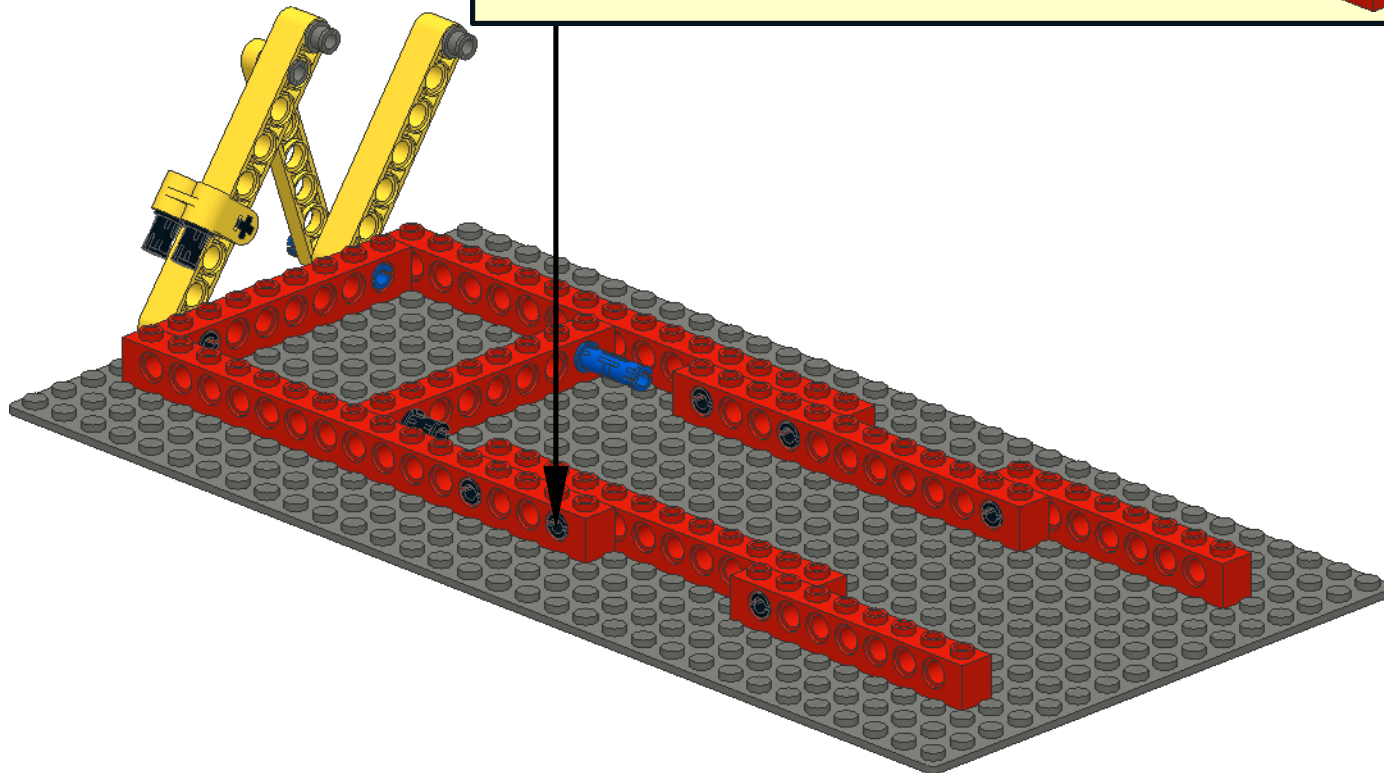
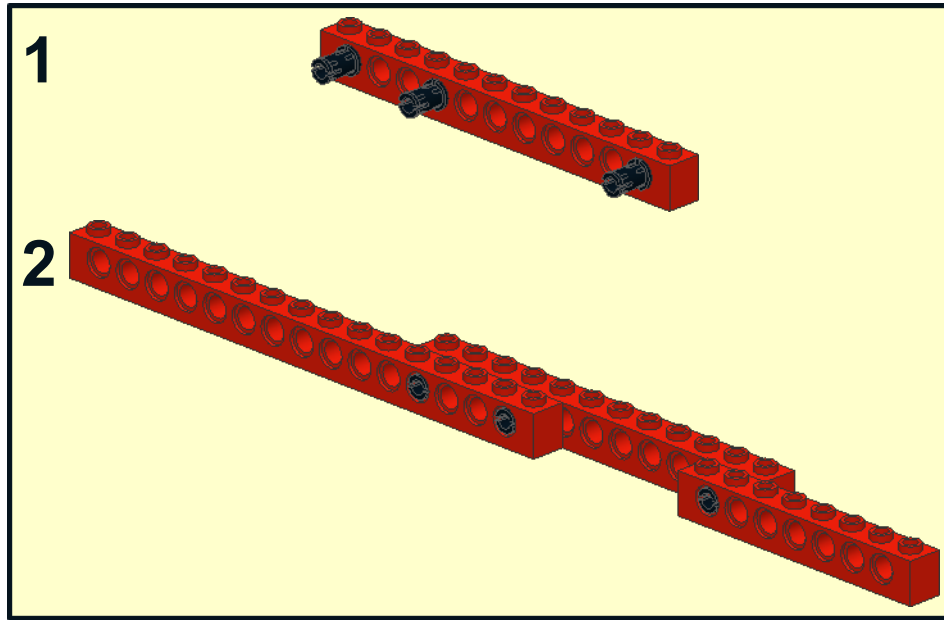
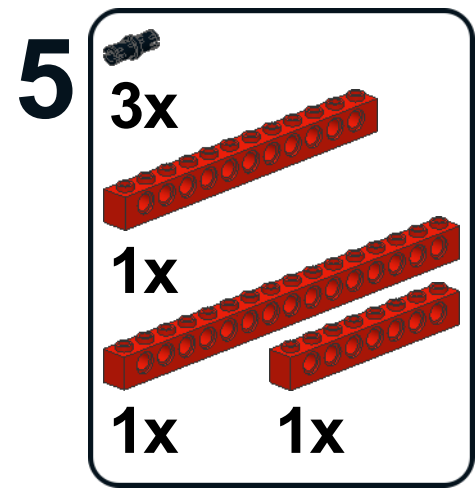
- 1x Red Technic Beam 1x5
- 3x Grey Technic Pin
- 1x Yellow Technic Beam 1x9
- 1x Grey Technic Pin
- 1x Blue Technic Pin
- 1x Yellow Technic Beam 1x7
- 1x Blue Technic Pin

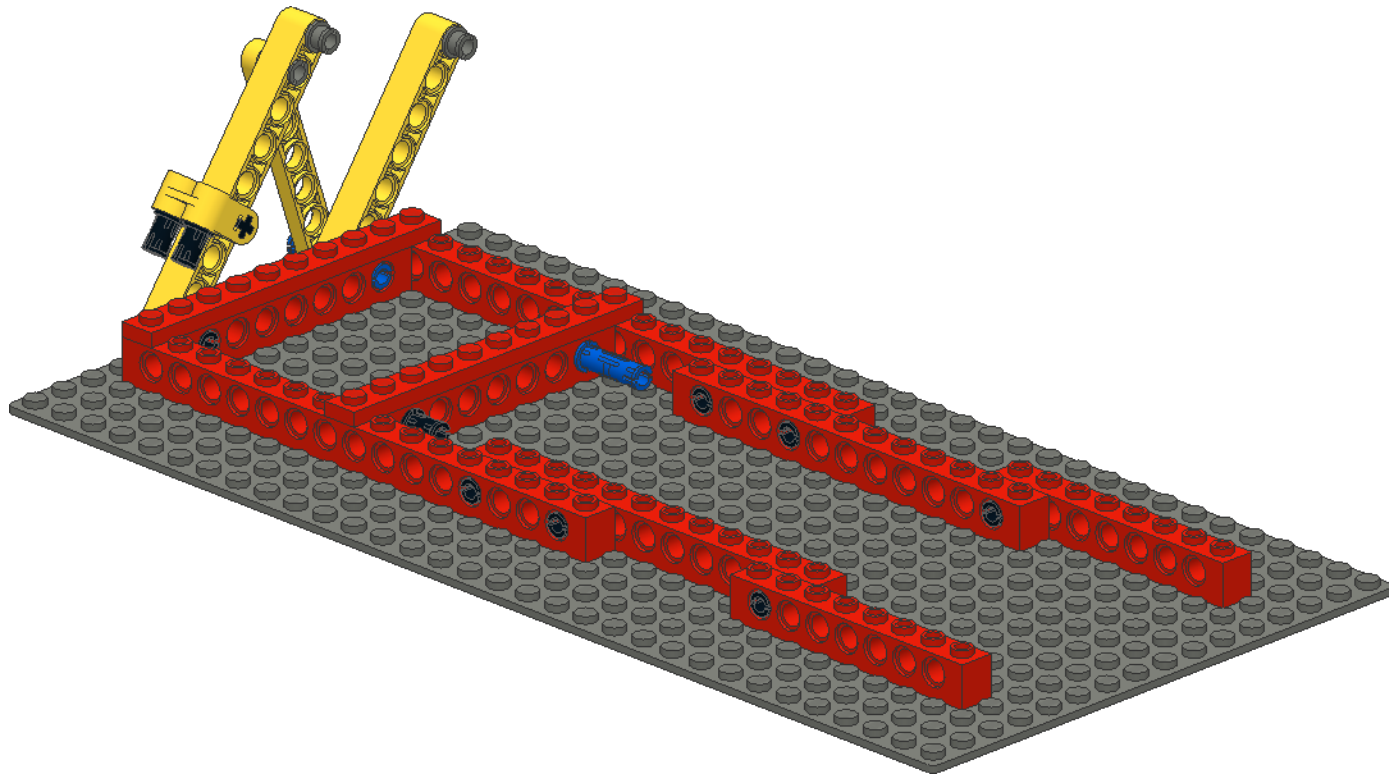
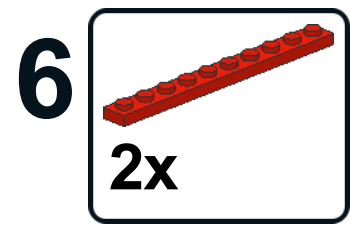


4

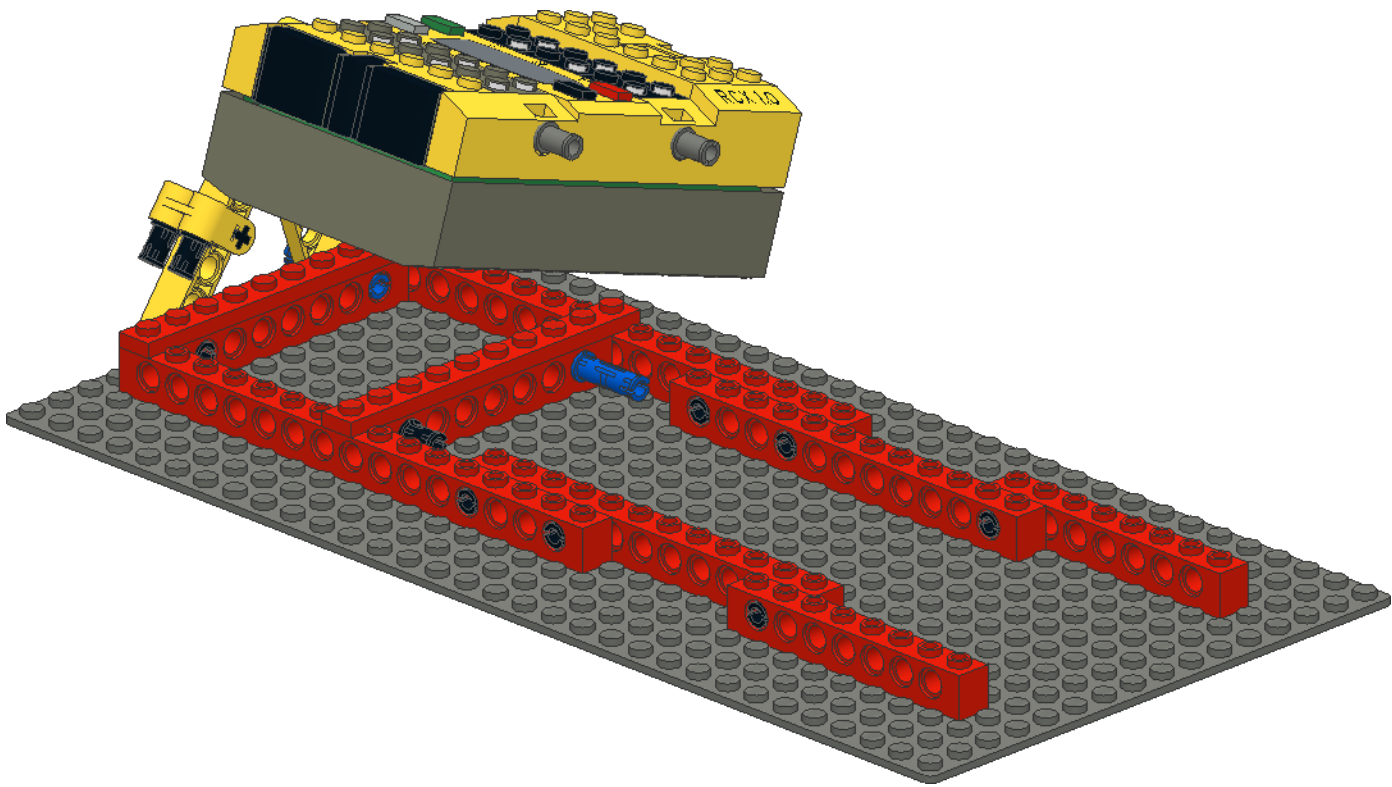
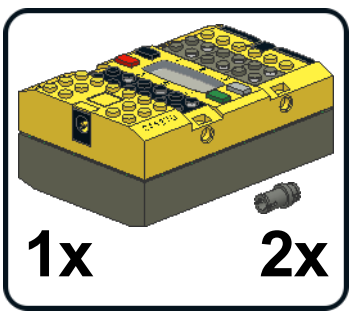
- | | |
|---|---|
|  |  |
| 1x | 2x |
|  |  |
| 1x | 1x |





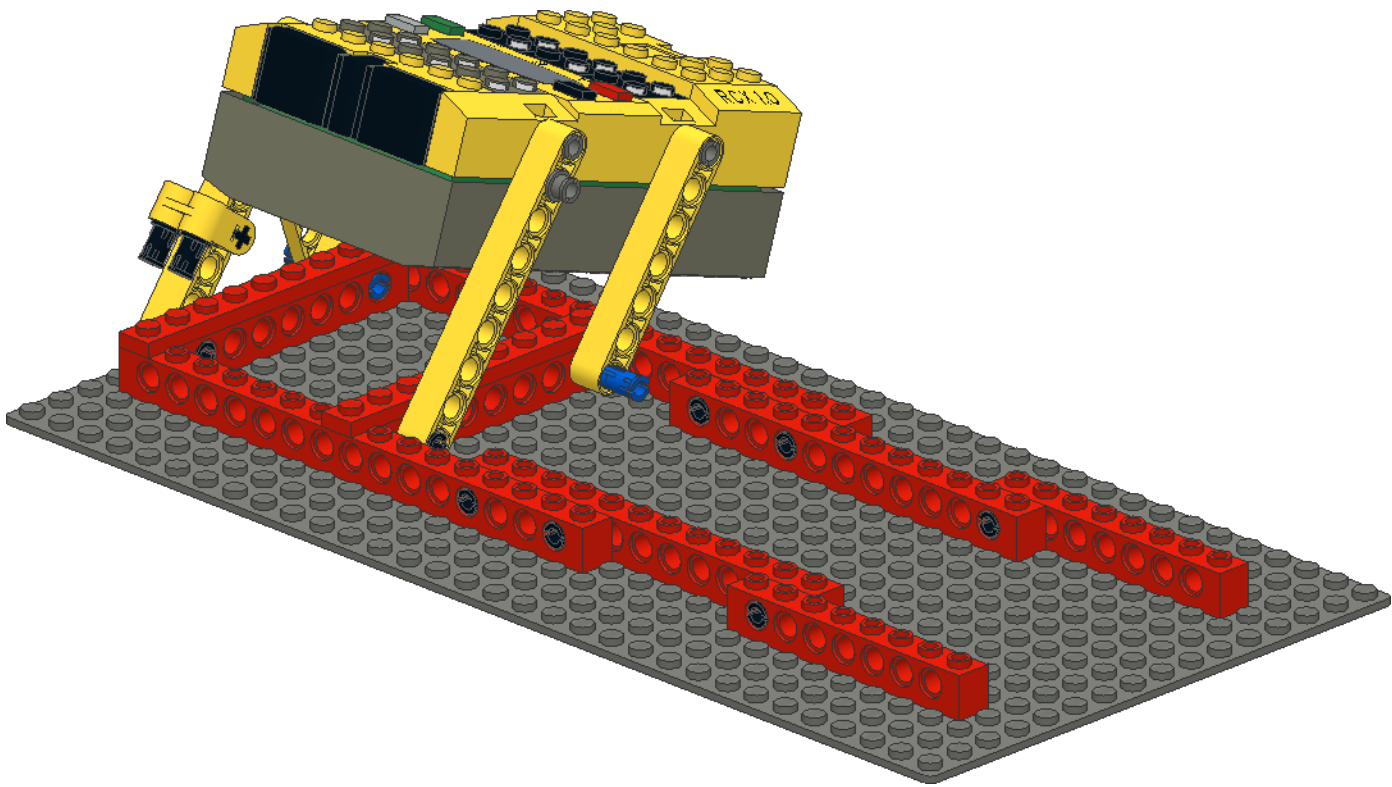


7



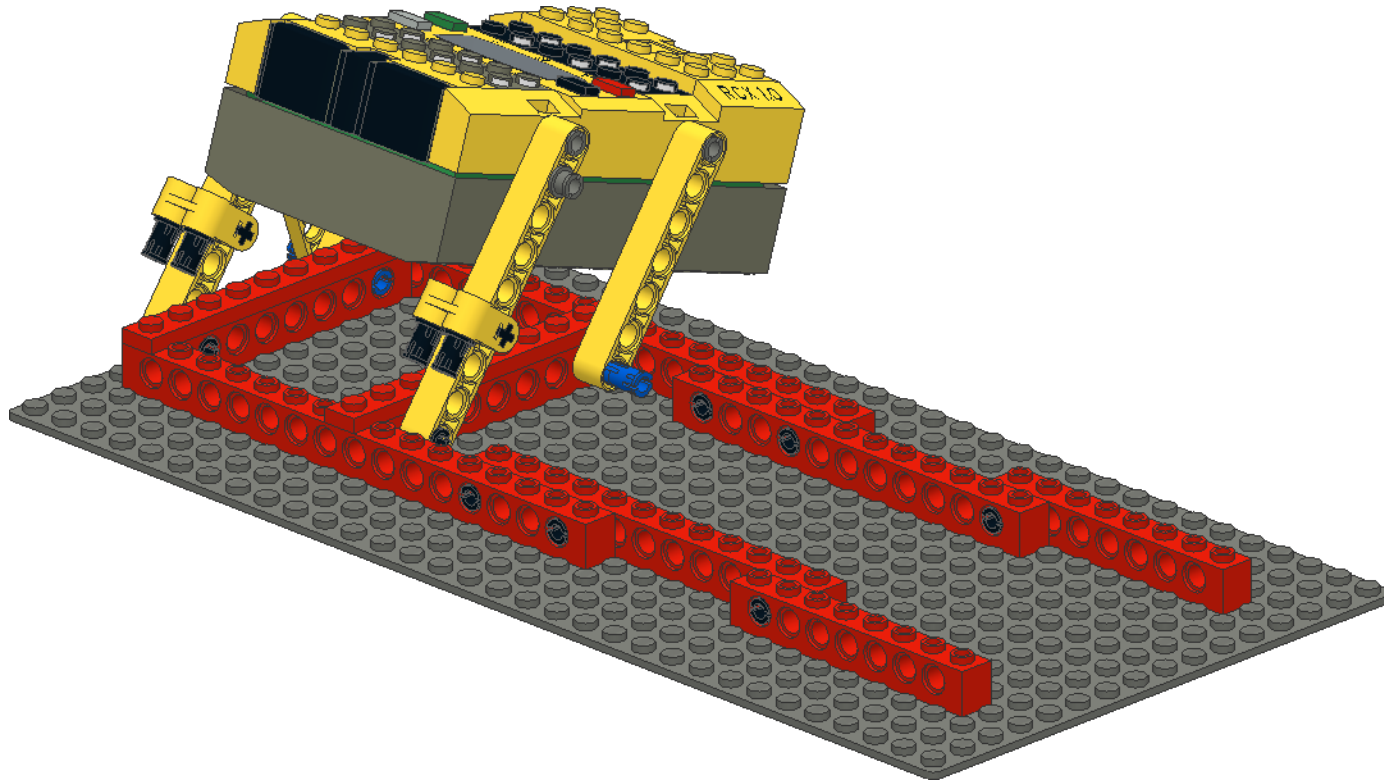
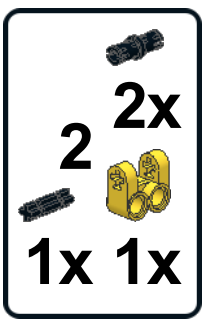
8

	7
1x	9
1x	1x

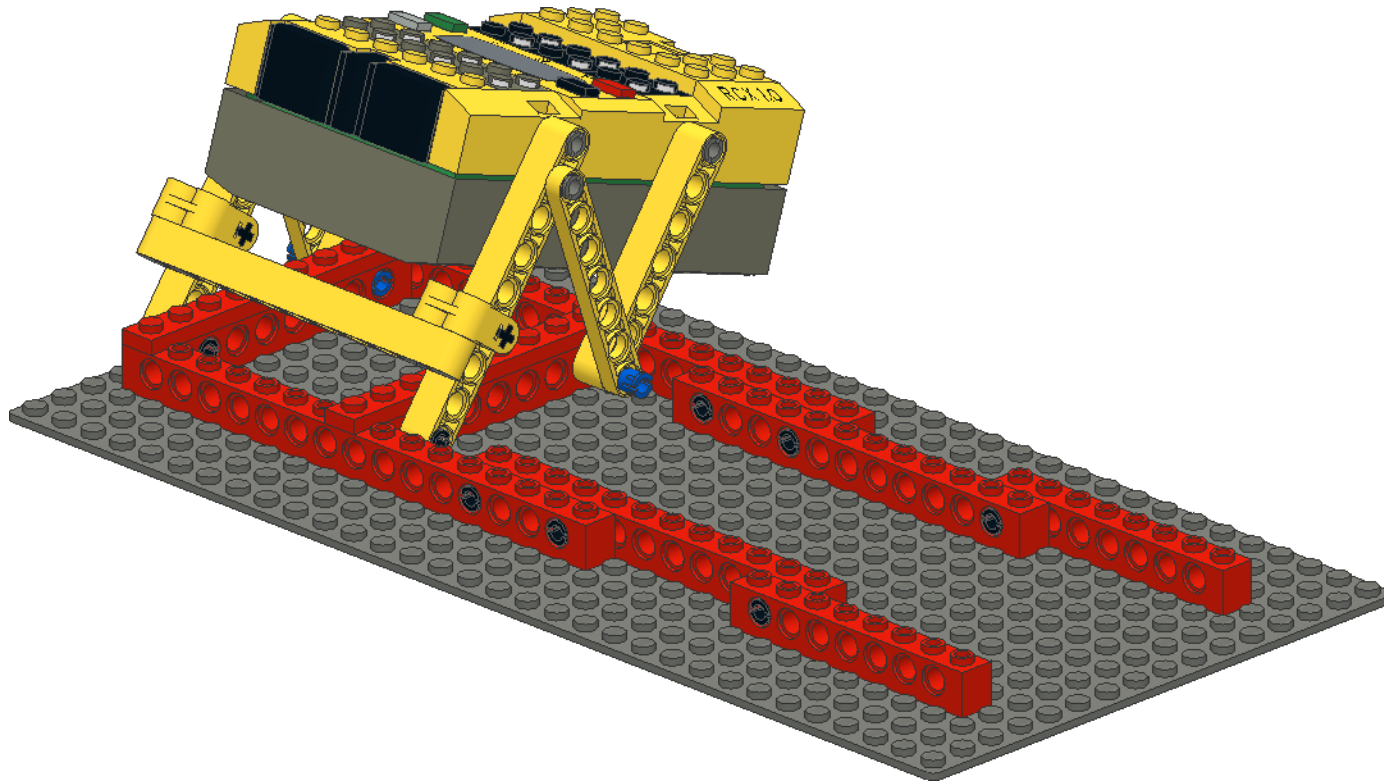
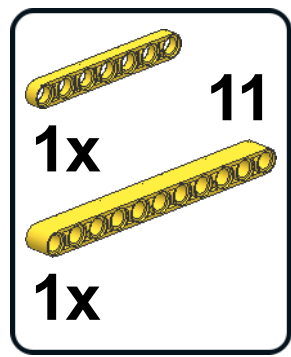


9



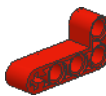


2x
2
1x 1x

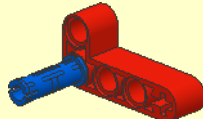
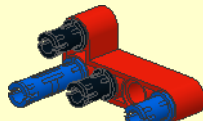


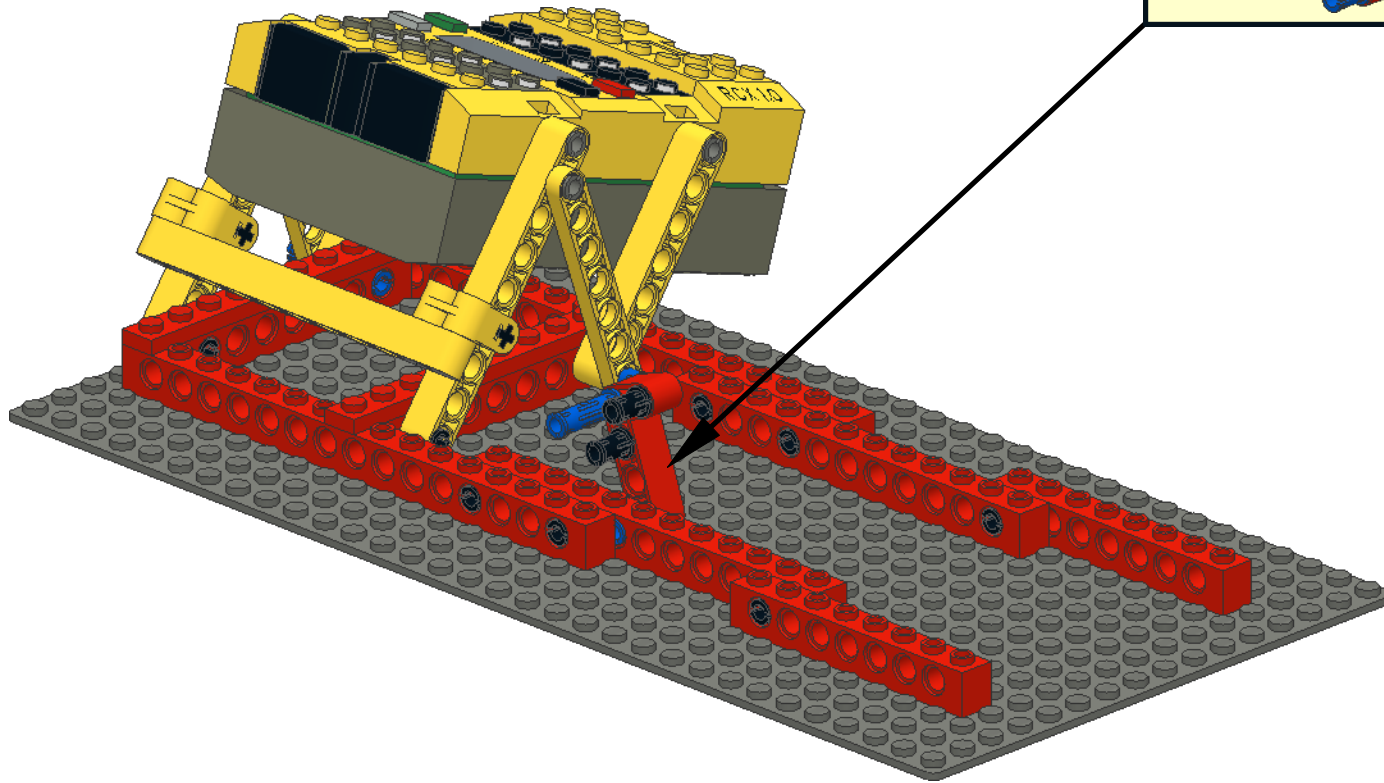
10

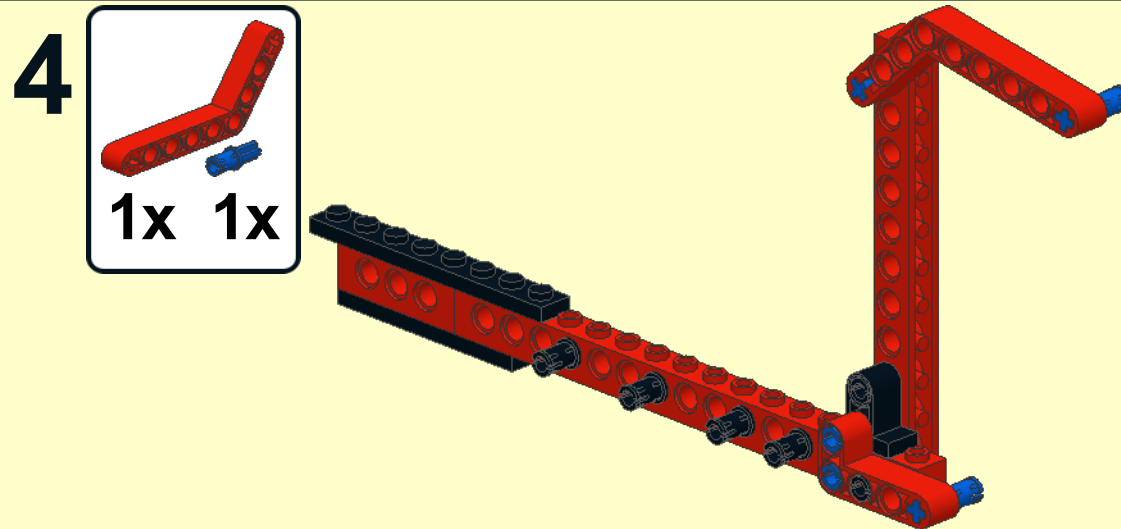
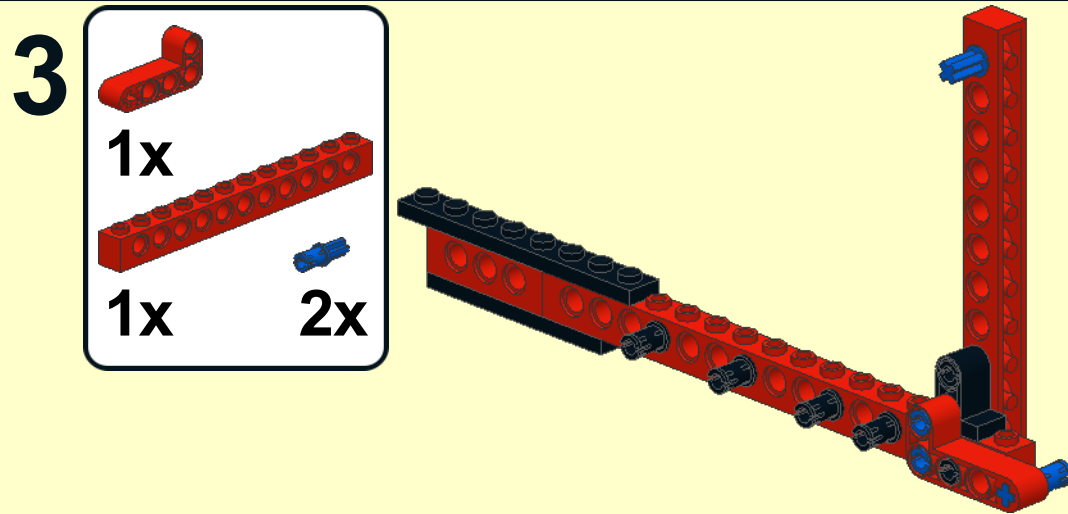
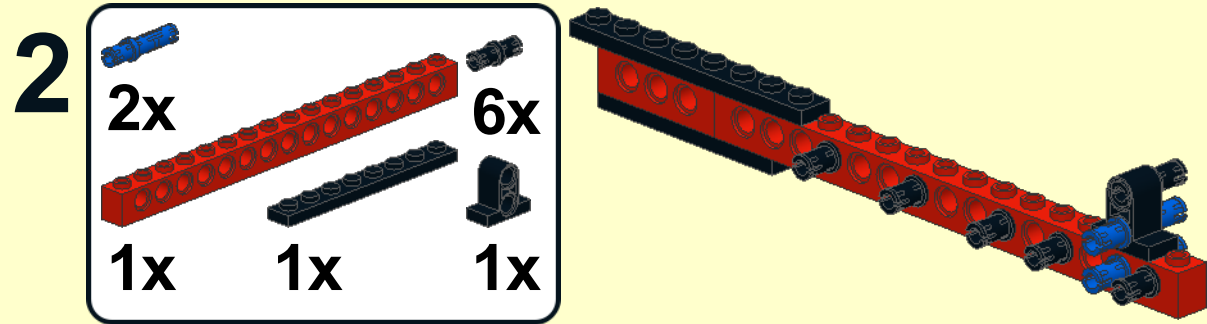
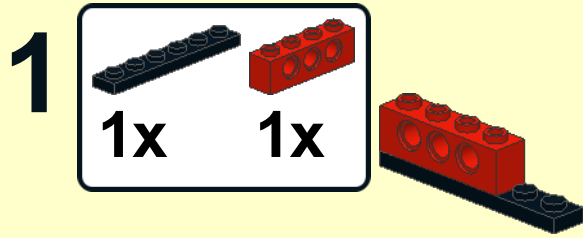


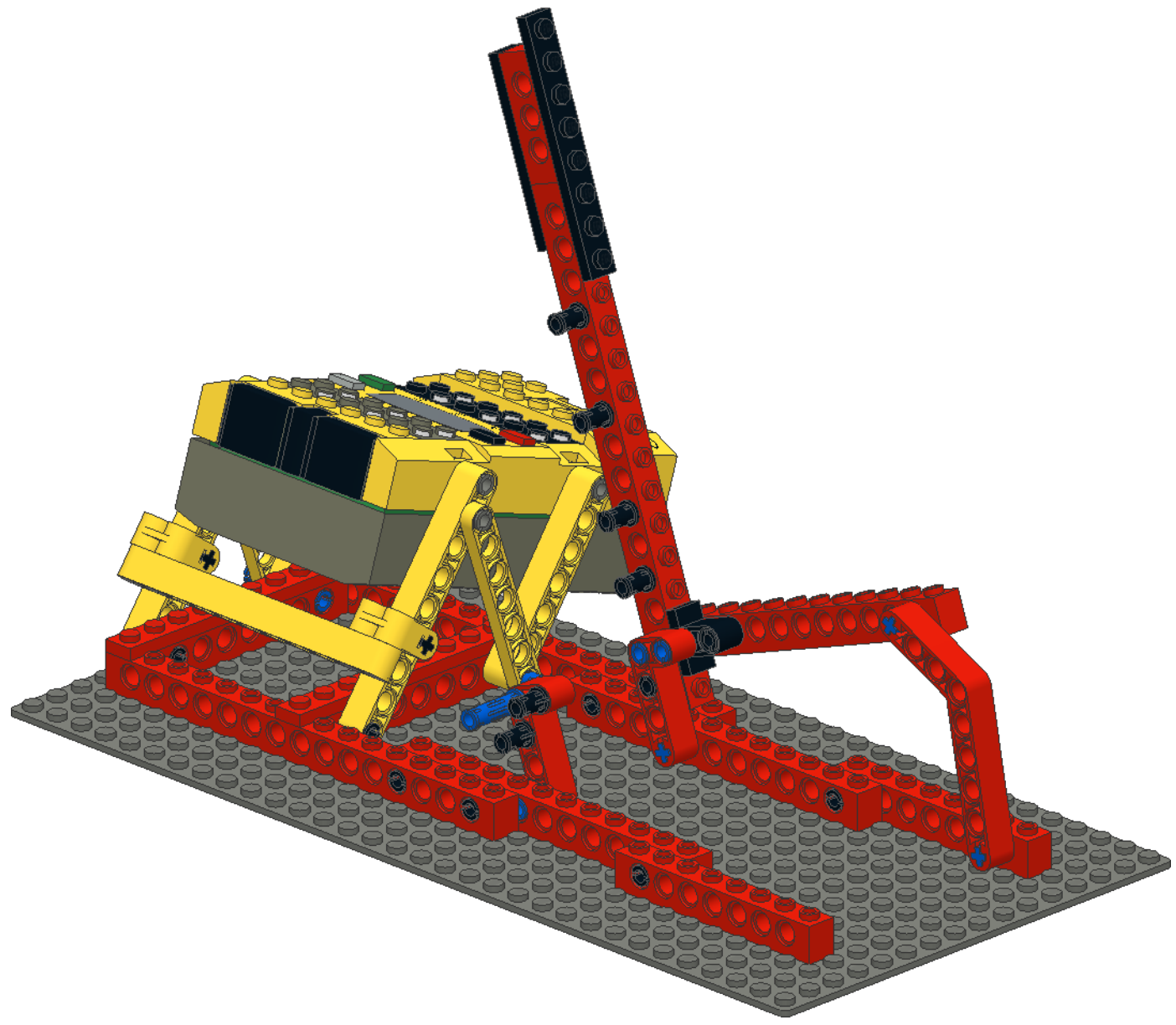
11

- 1x 
- 1x 
- 2x 
- 1x 
- 1x 

- 1 
- 2 

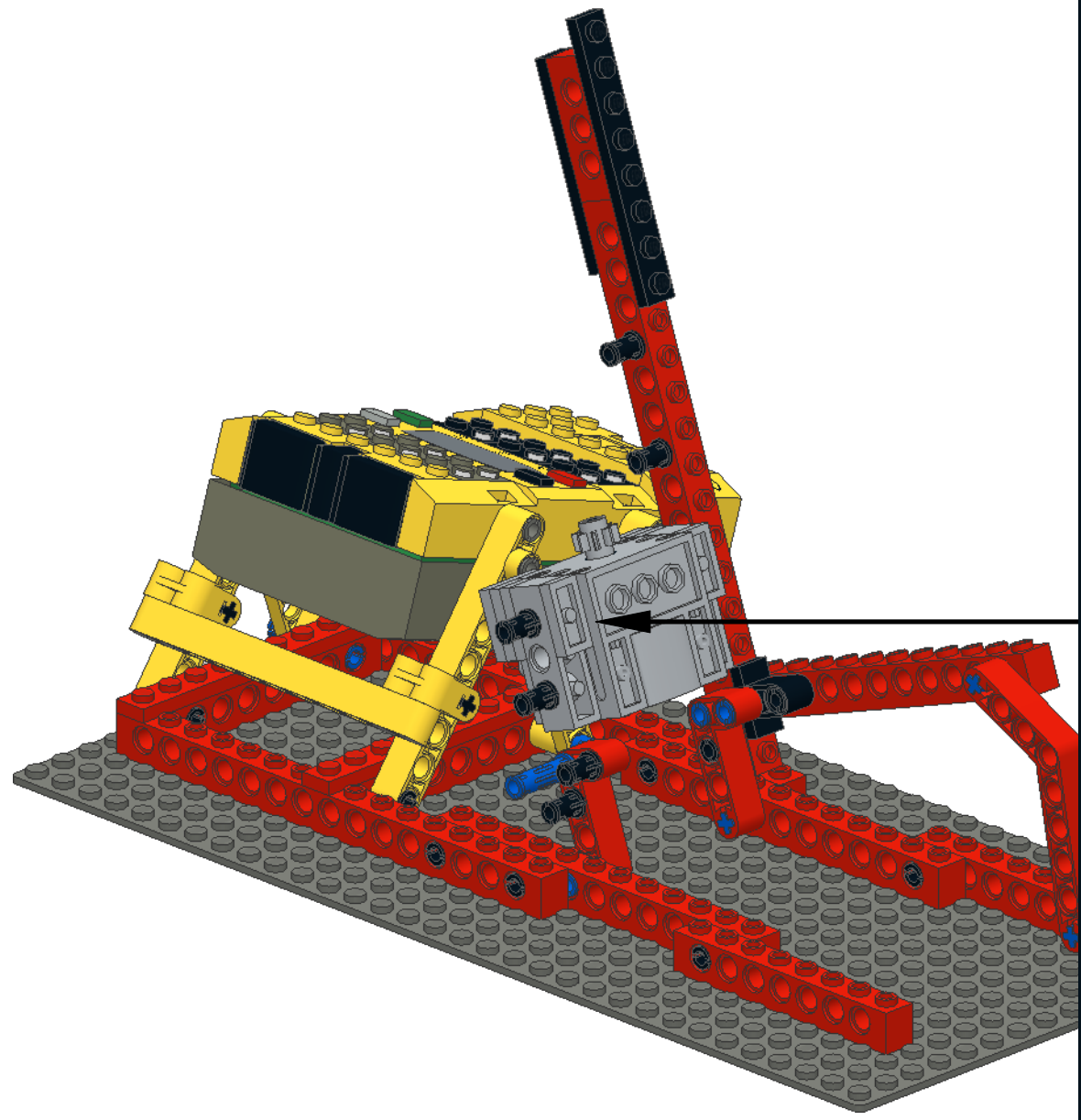






13

- 1x [1x 10-hole grey Technic brick with 2 holes on top]
- 1x [1x 1-hole grey Technic pin]
- 4x [1x 2-hole grey Technic Technic axle connector]
- 2x [1x 2-hole grey Technic Technic axle connector]
- 2x [1x 2-hole grey Technic Technic axle connector]
- 2x [1x 2-hole grey Technic Technic axle connector]



1

The sub-assembly consists of a grey 10-hole Technic brick with a grey 1-hole Technic pin inserted into the second hole from the left. A grey 2-hole Technic Technic axle connector is attached to the left side of the brick.

2

A grey 2-hole Technic Technic axle connector is attached to the left side of the sub-assembly, overlapping the existing one.

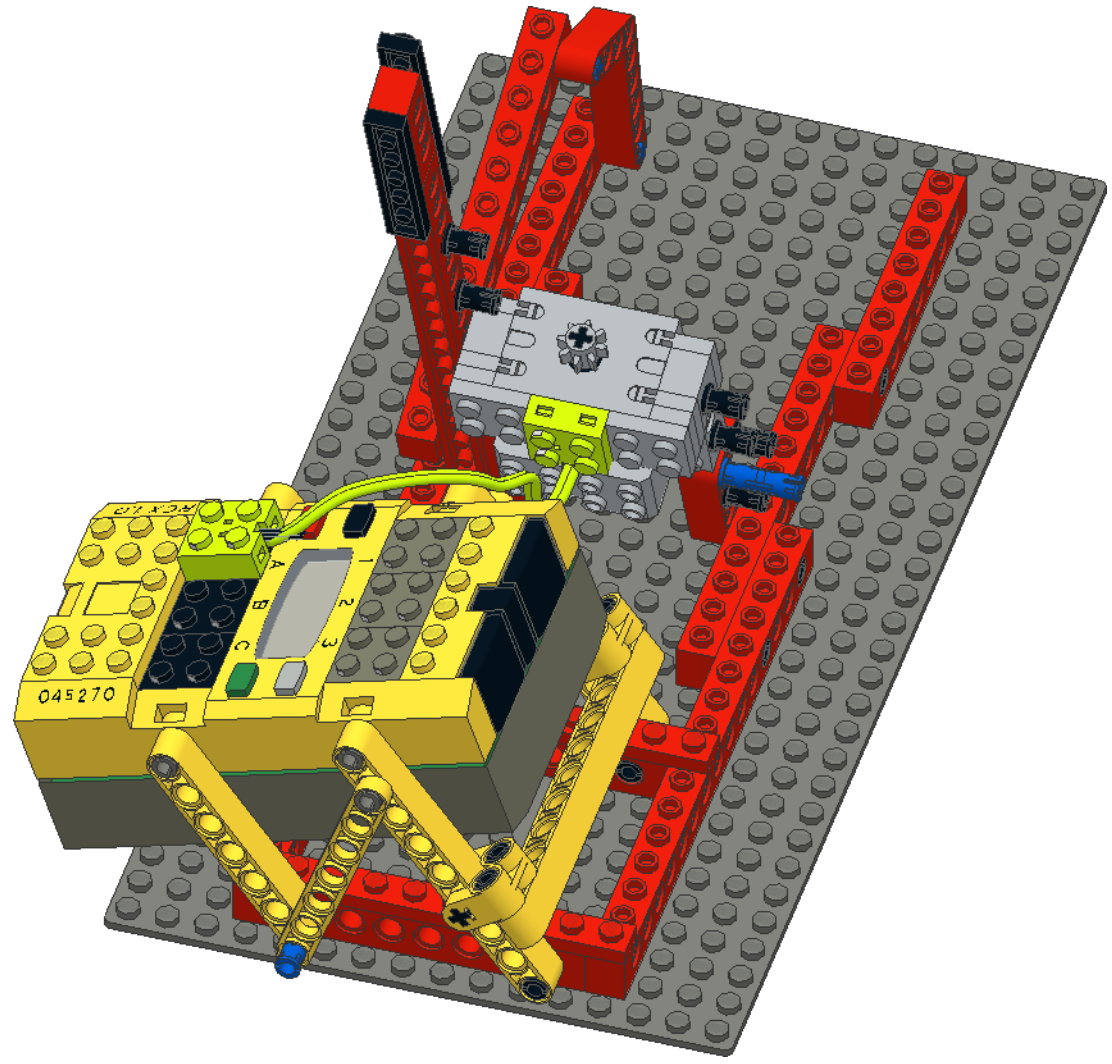
3

A second grey 2-hole Technic Technic axle connector is attached to the left side of the sub-assembly, overlapping the previous one.

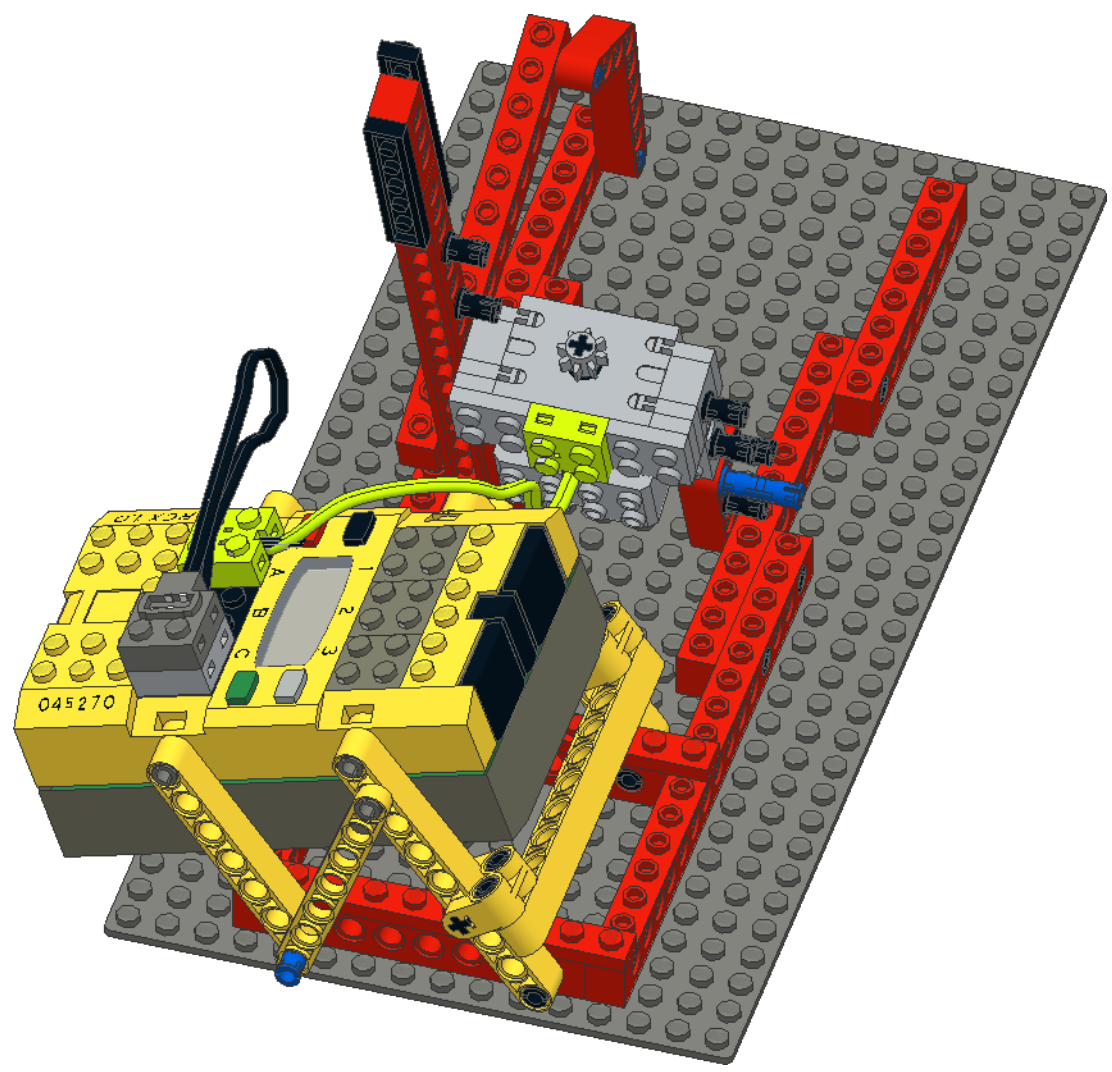
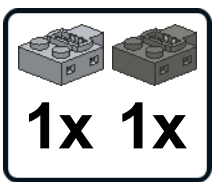
4

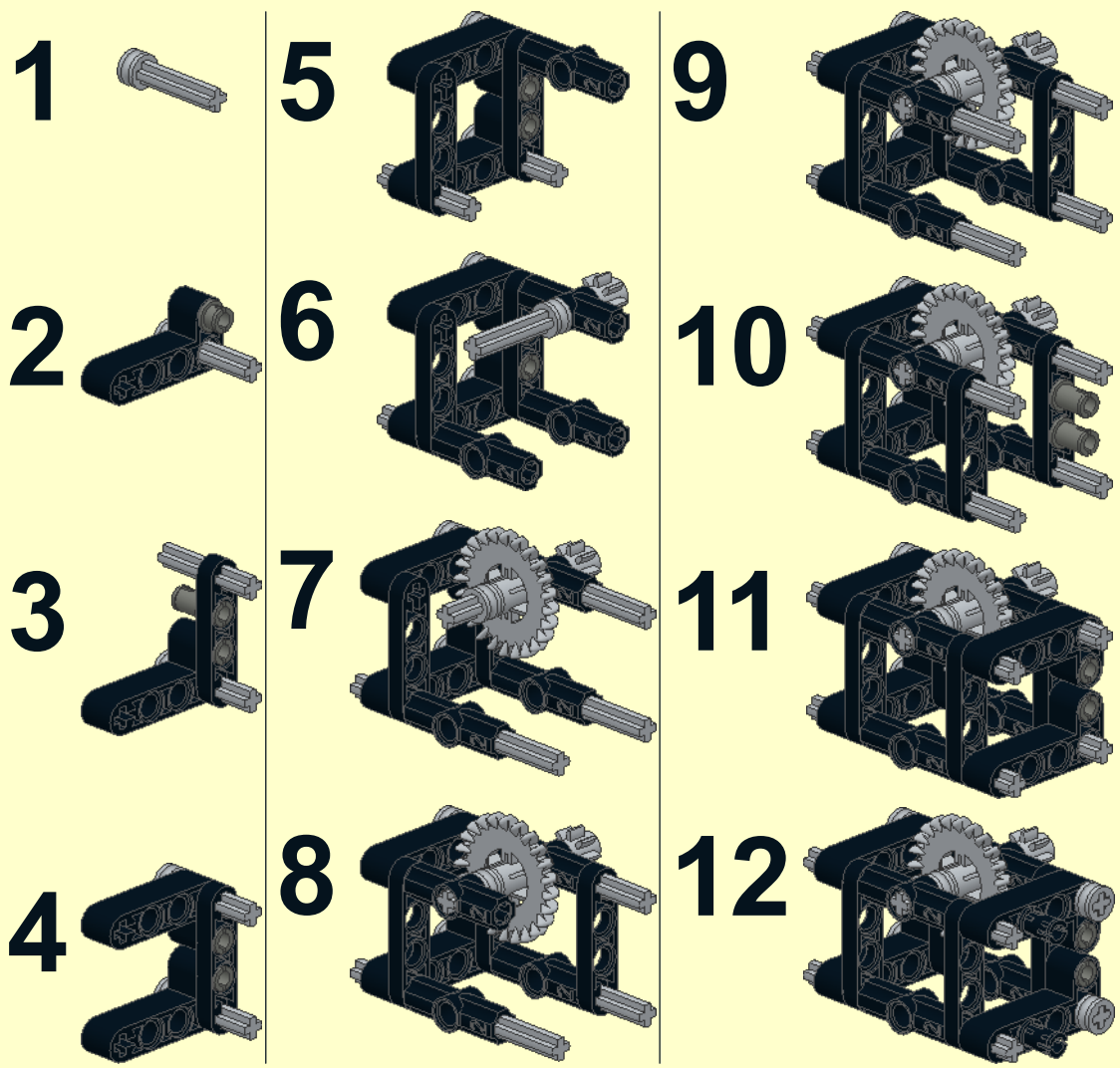
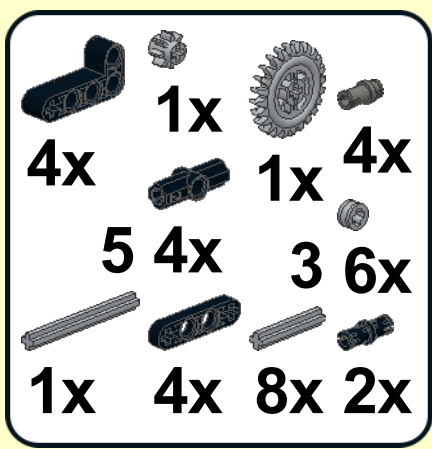
A final grey 2-hole Technic Technic axle connector is attached to the left side of the sub-assembly, overlapping the previous one. This completes the sub-assembly for this step.

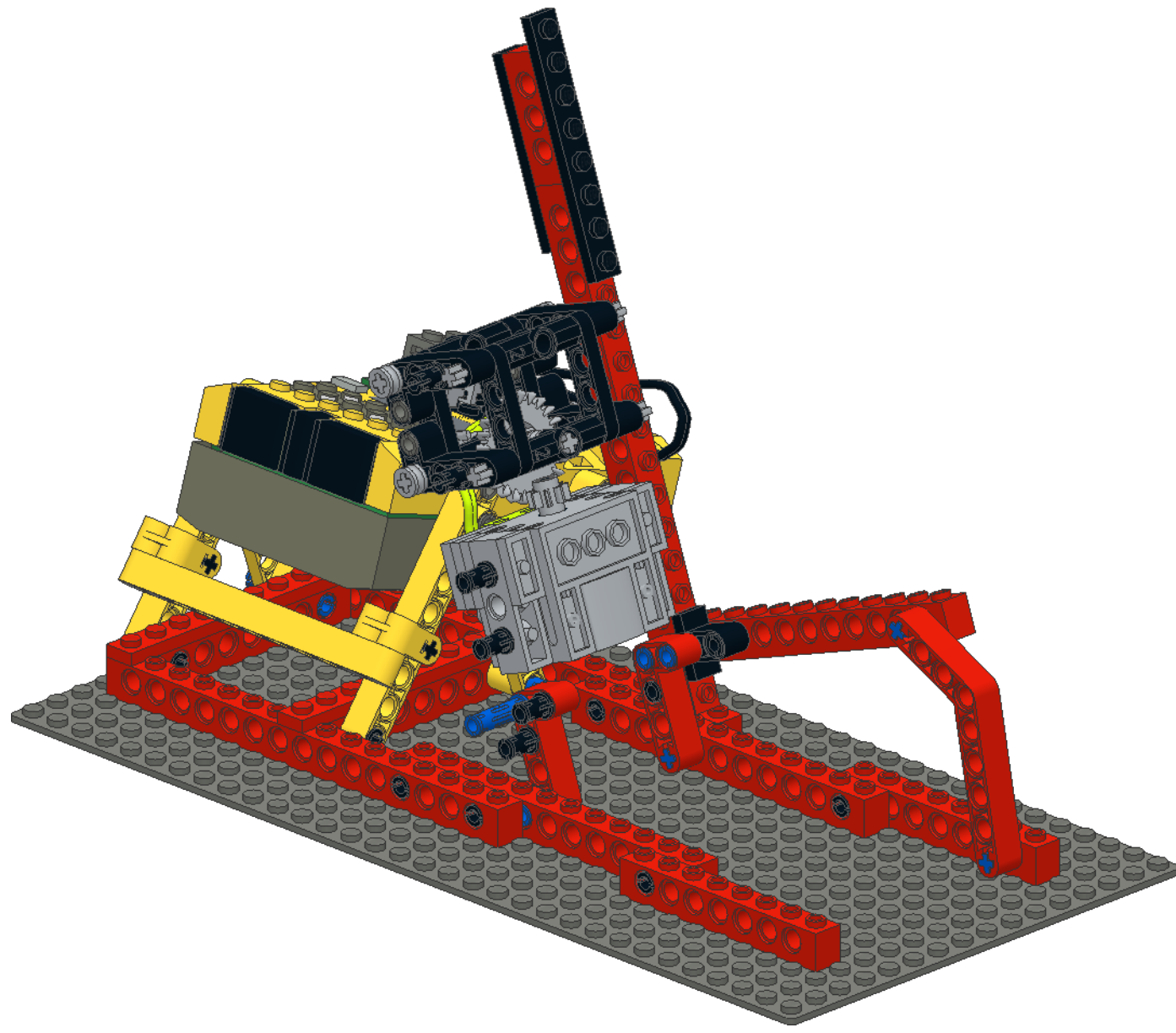
14  2x

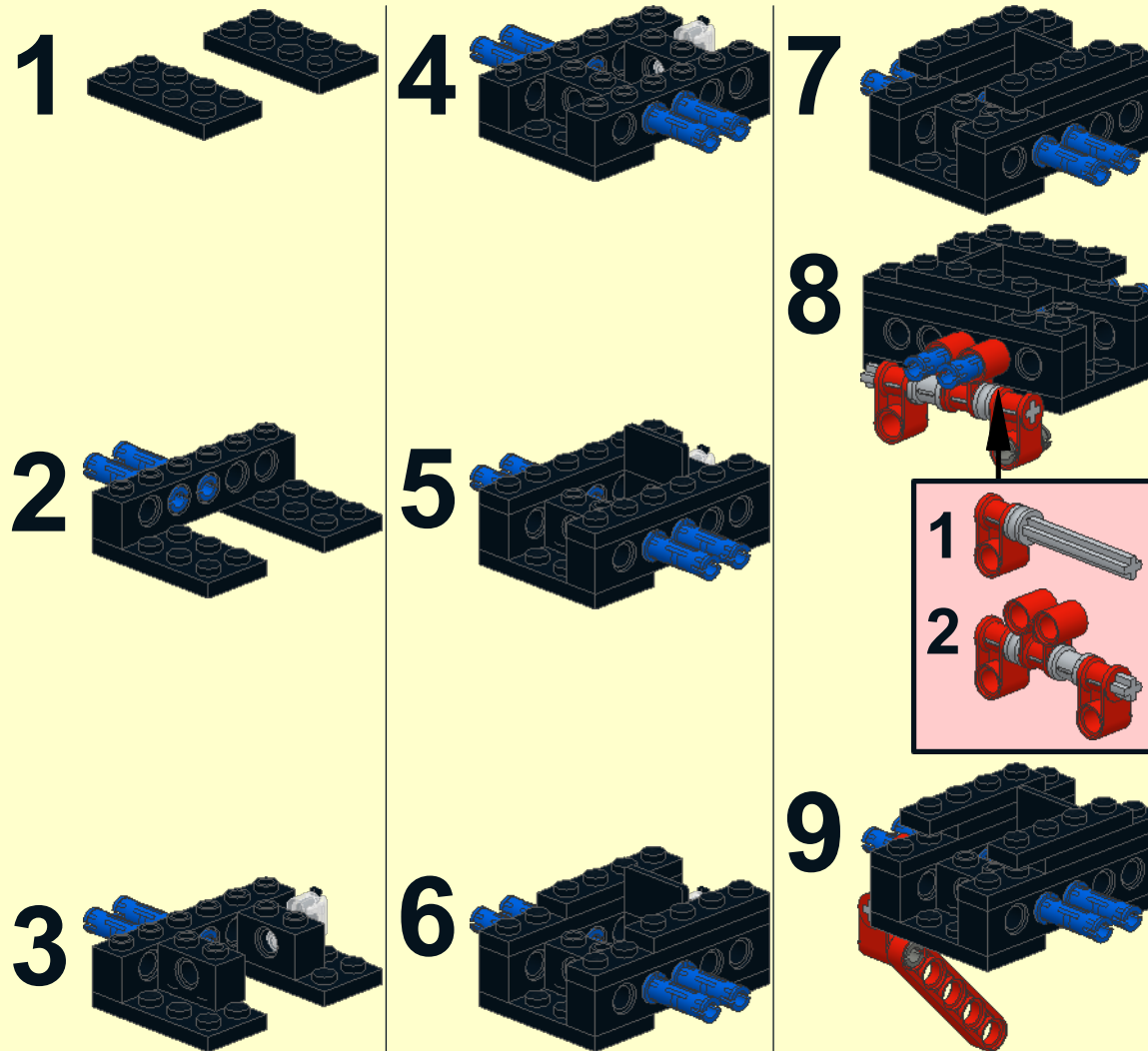
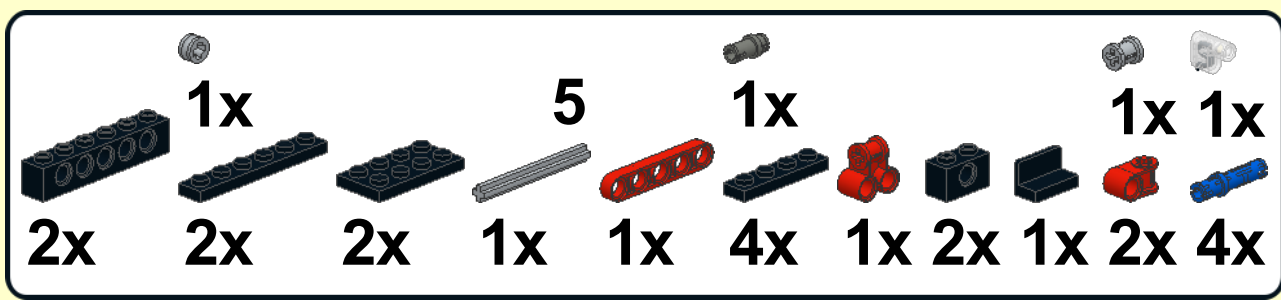


15



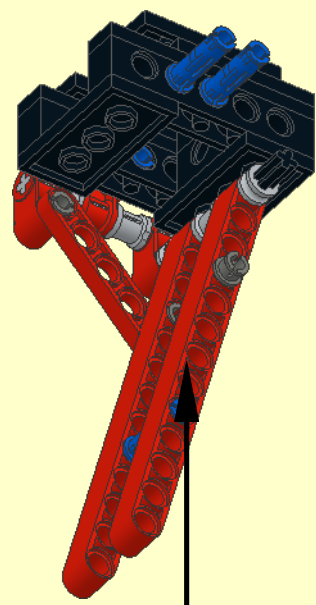






	13					
1x		2x	6	5	2x	3x
2x	1x	1x	1x	1x	1x	3x

10

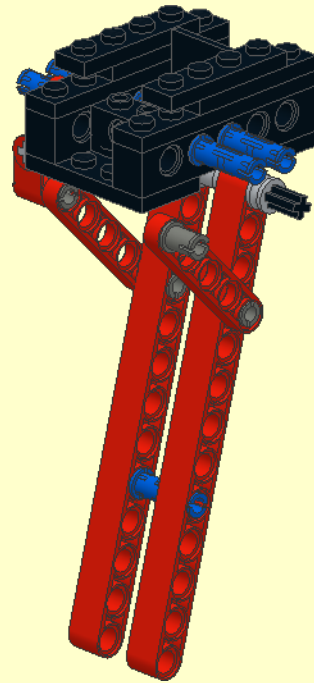


1

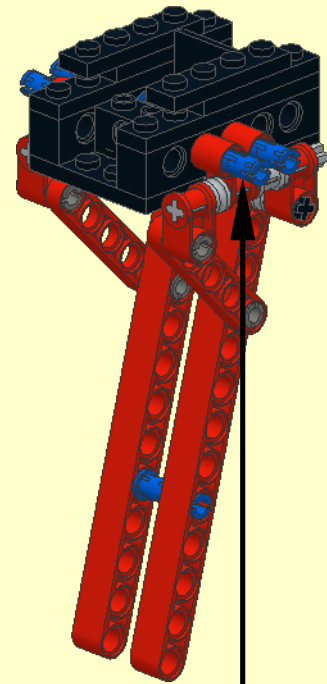
2

3

11



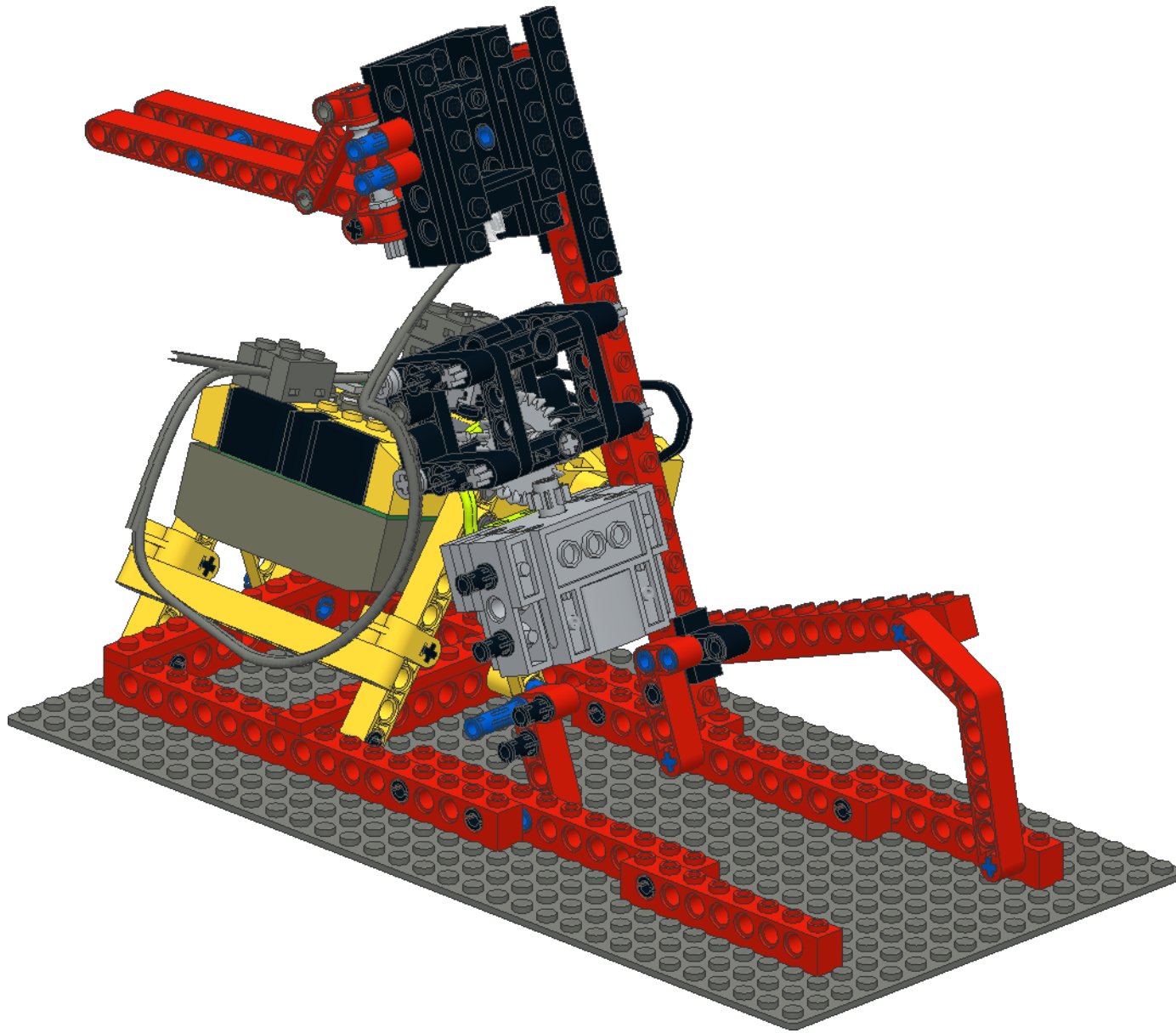
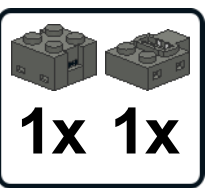
12

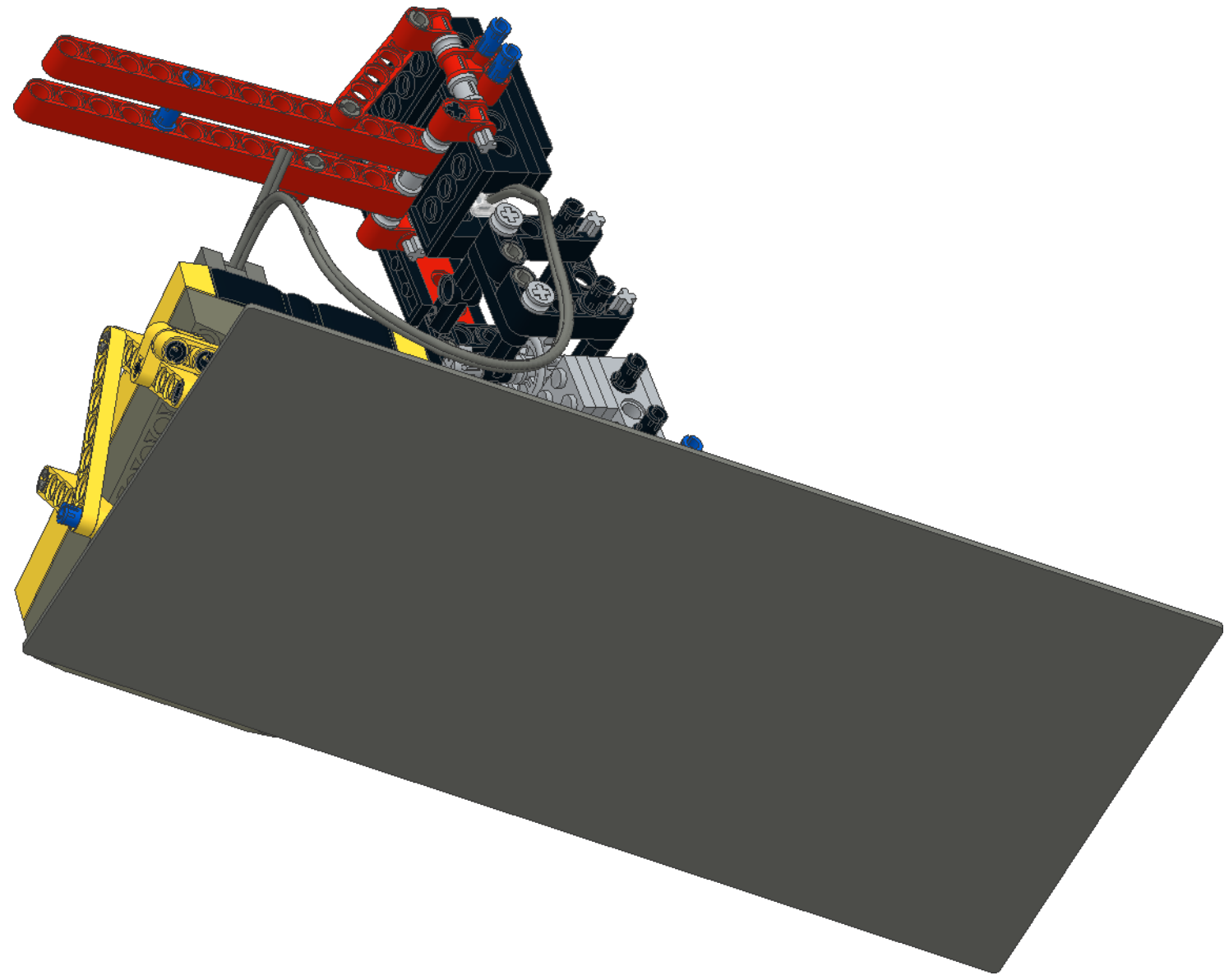


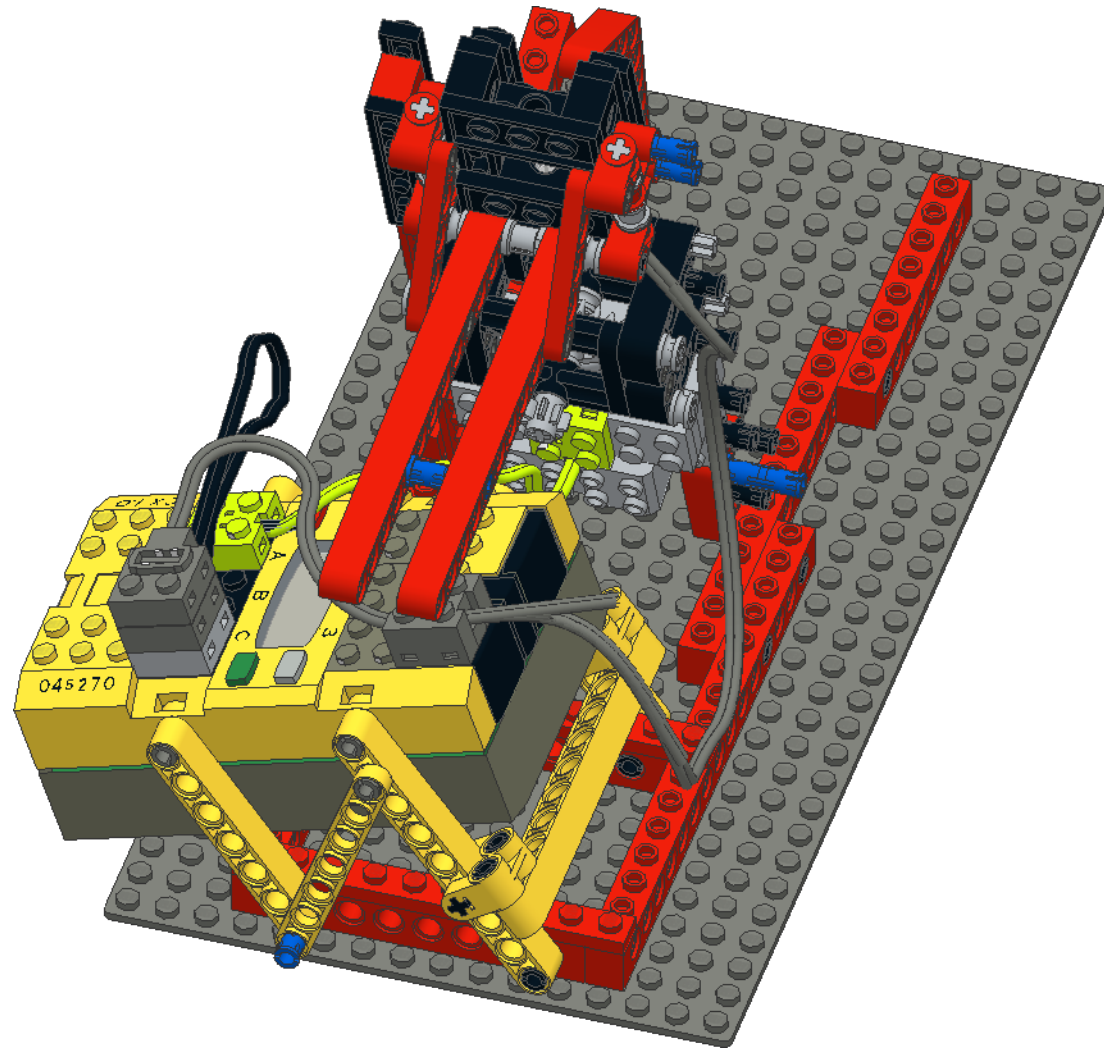
1

2



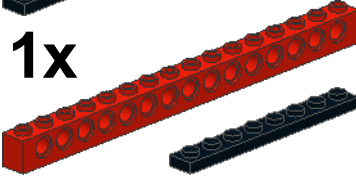
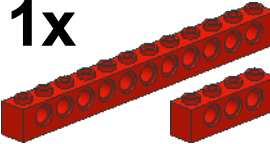
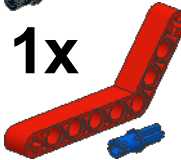

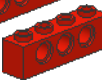


17

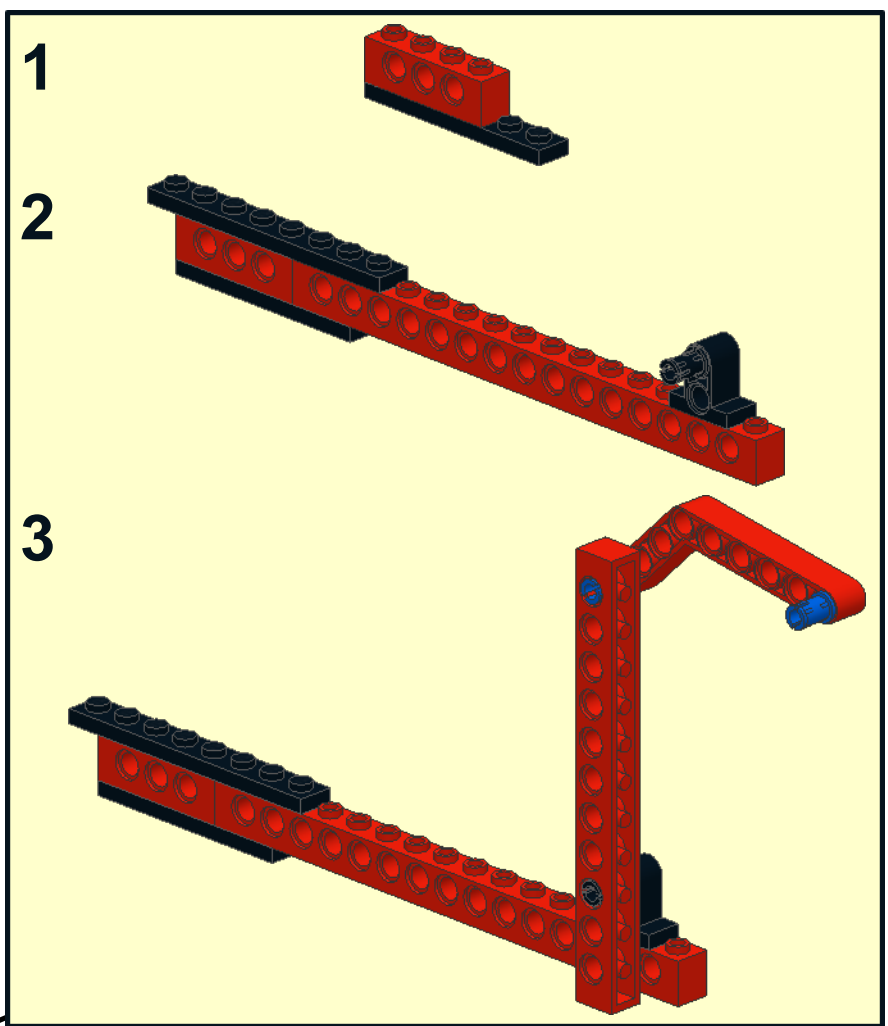
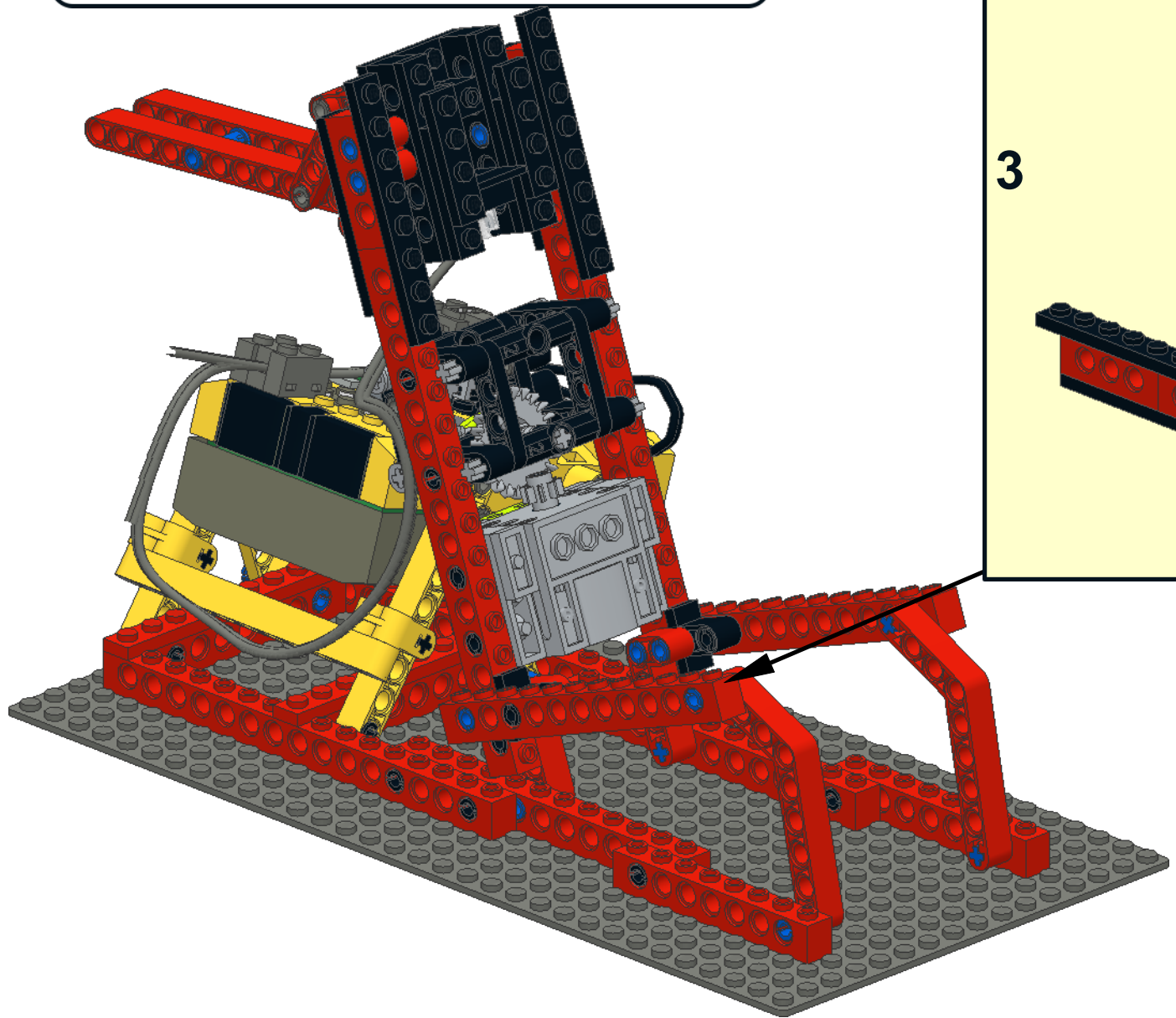






20

			
1x 	1x 	1x 	
1x 	1x 	1x 	2x 

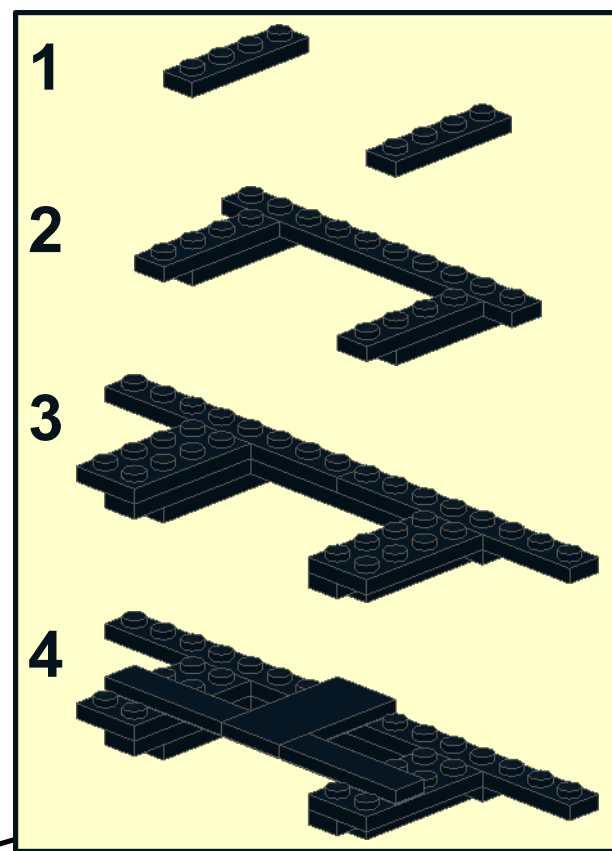
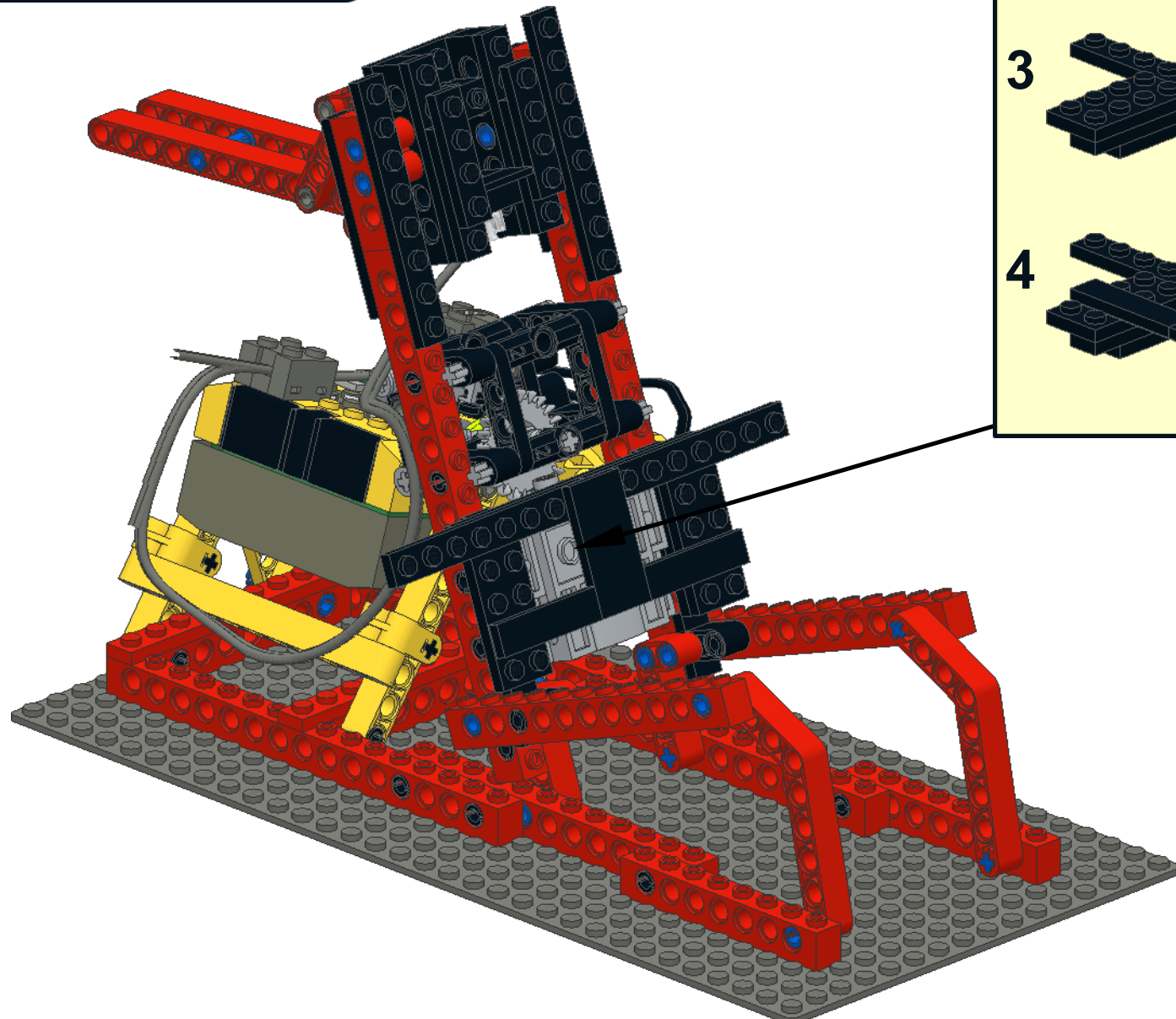
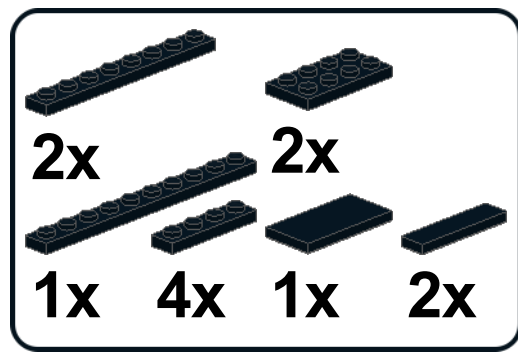


1

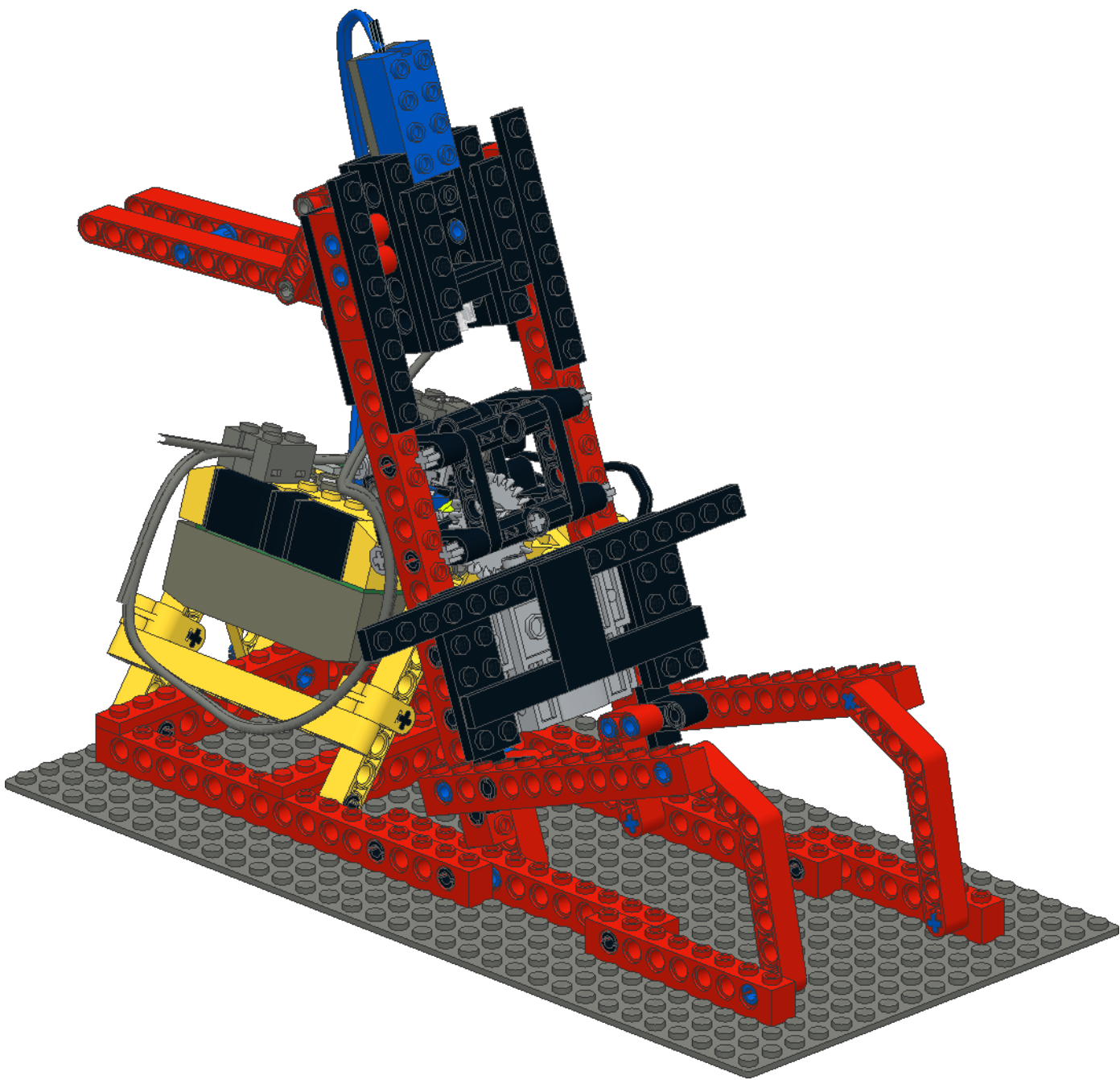
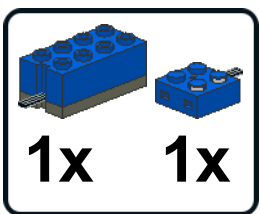
2

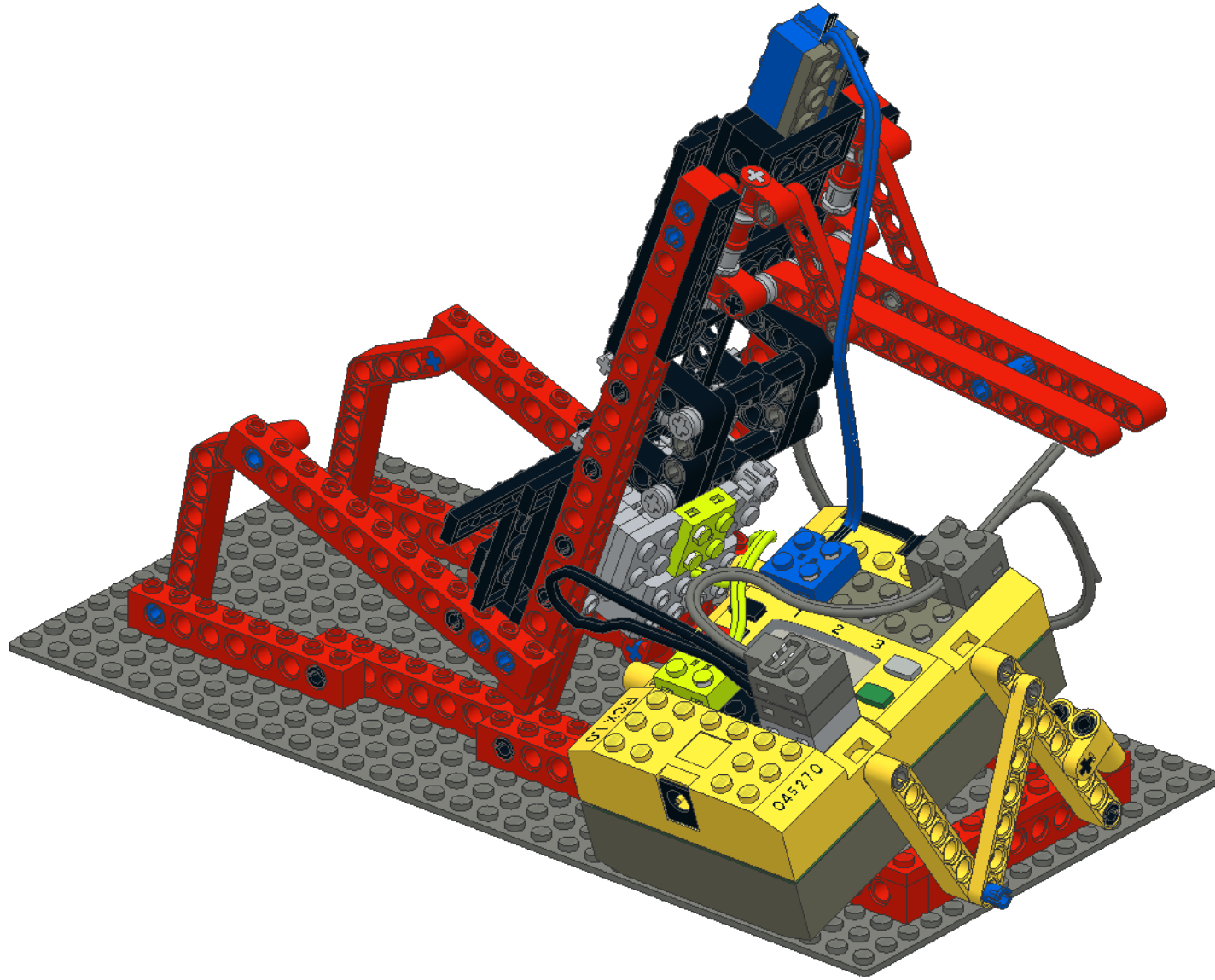
3

21

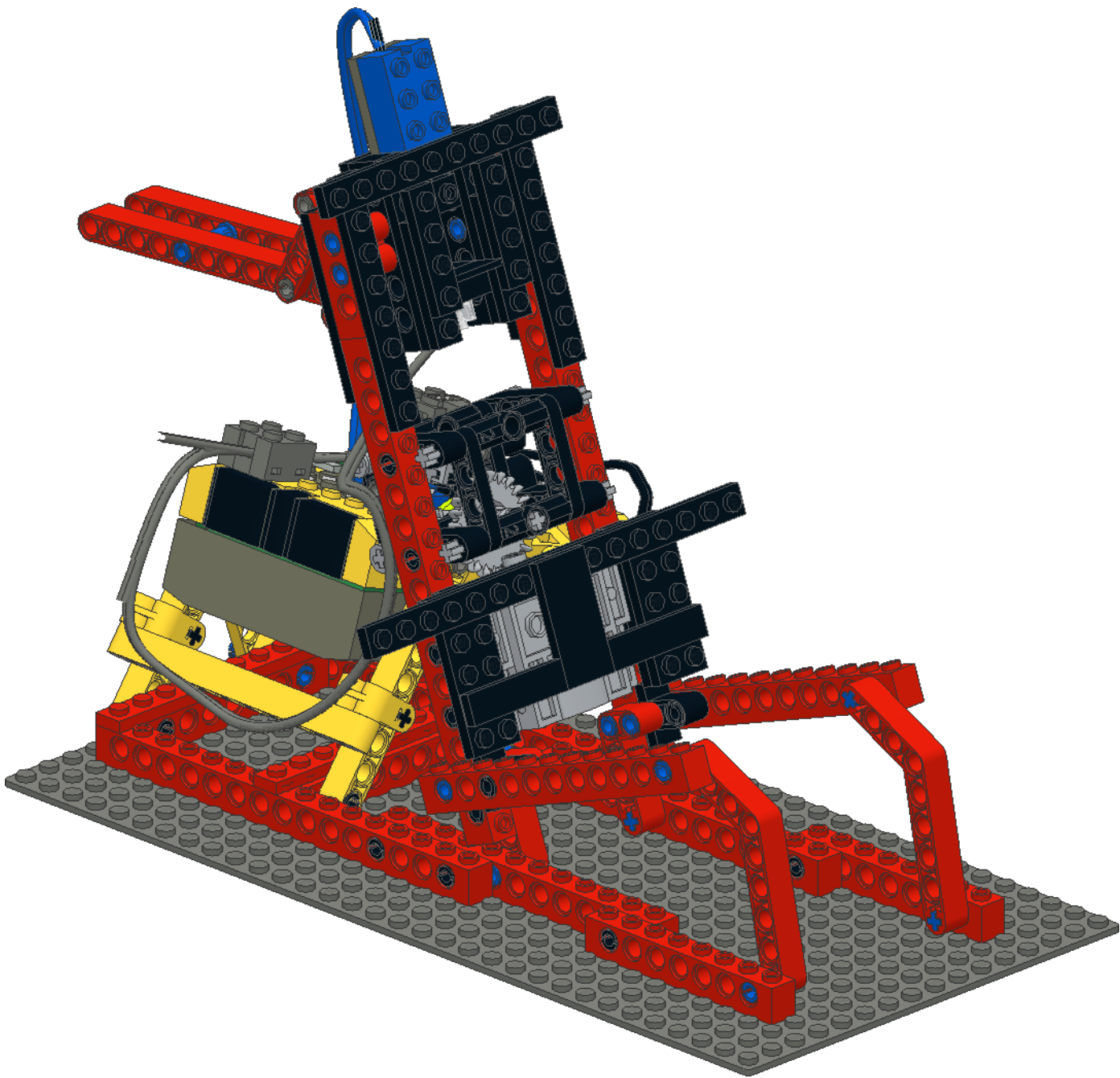
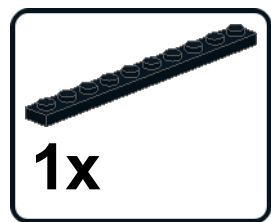


22

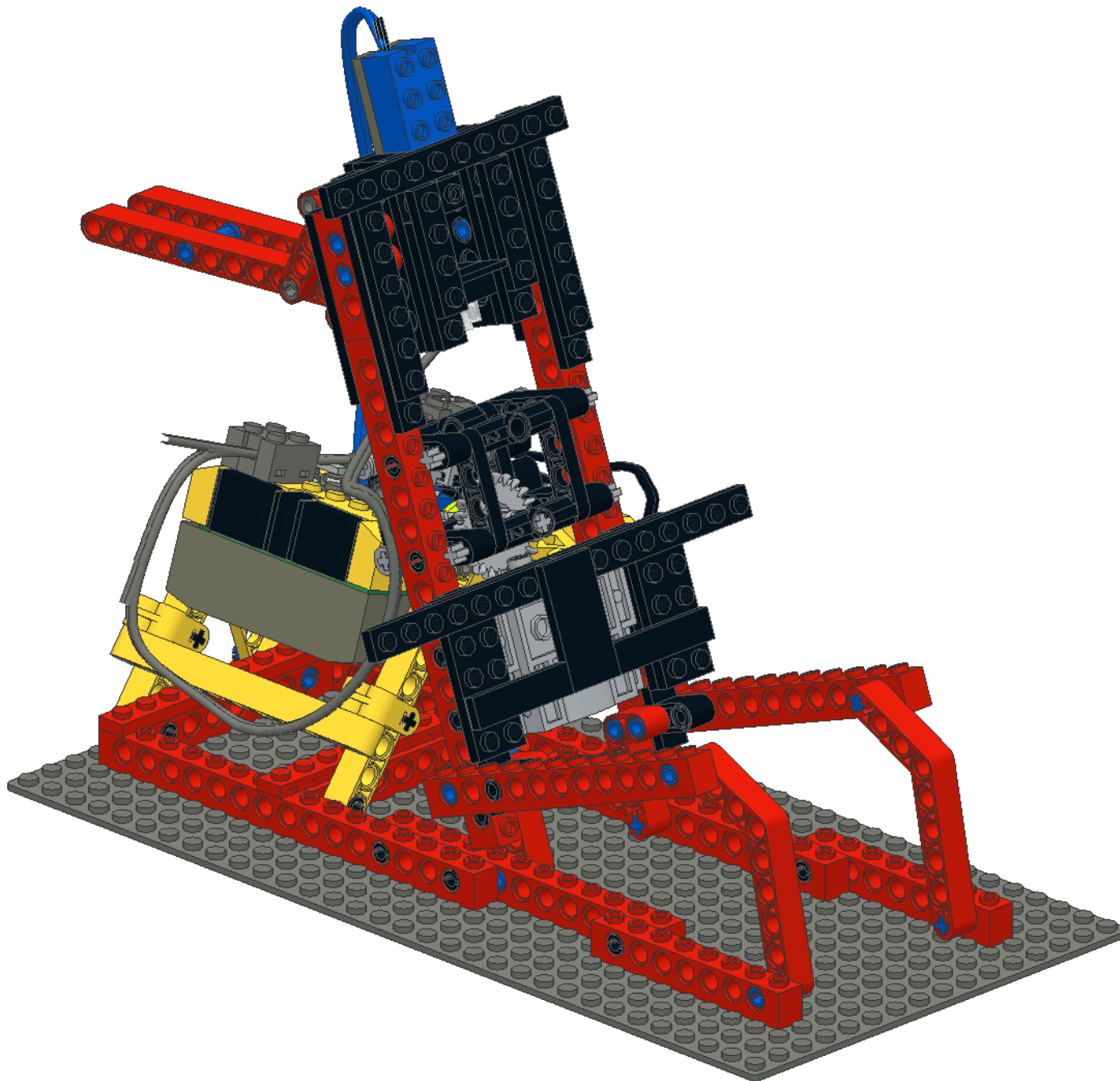
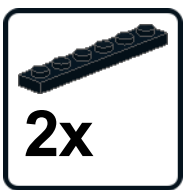




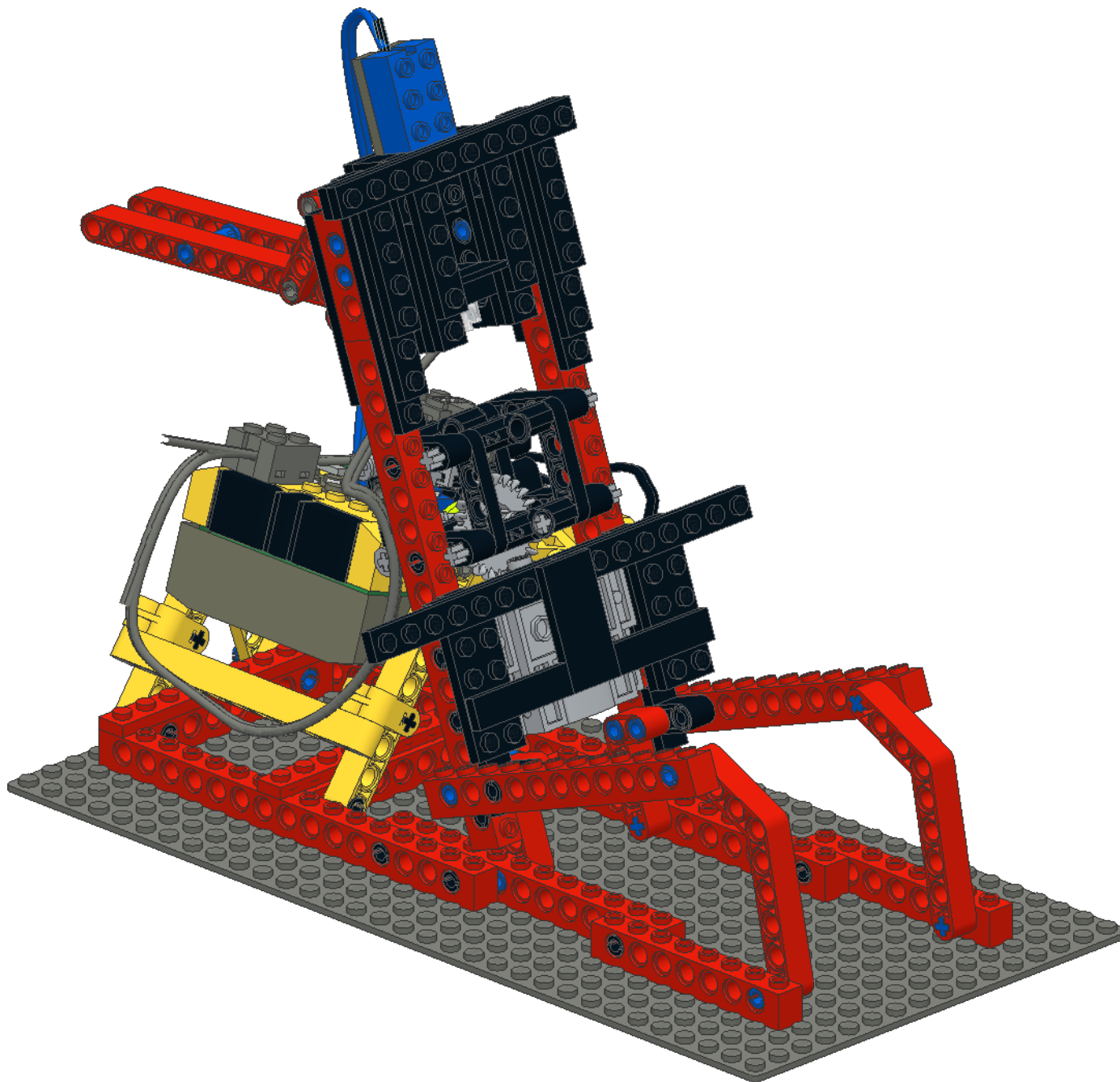
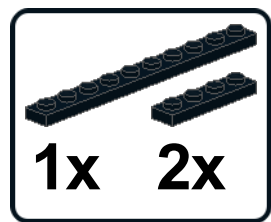
24



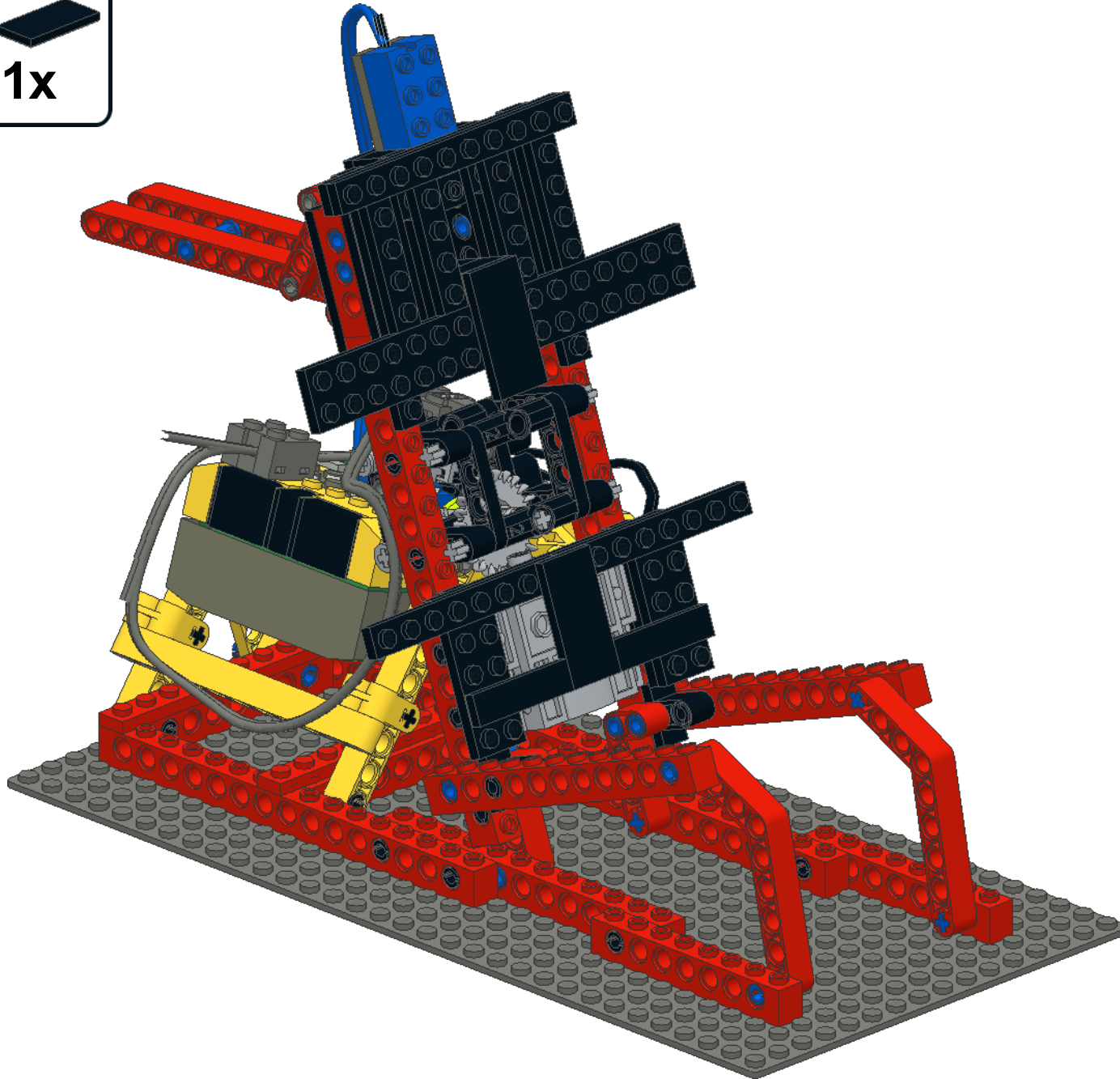
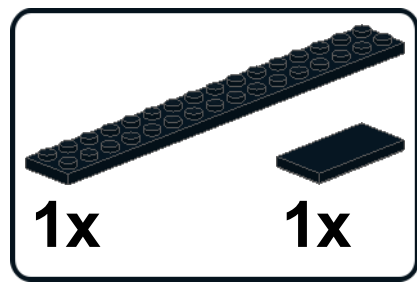
25



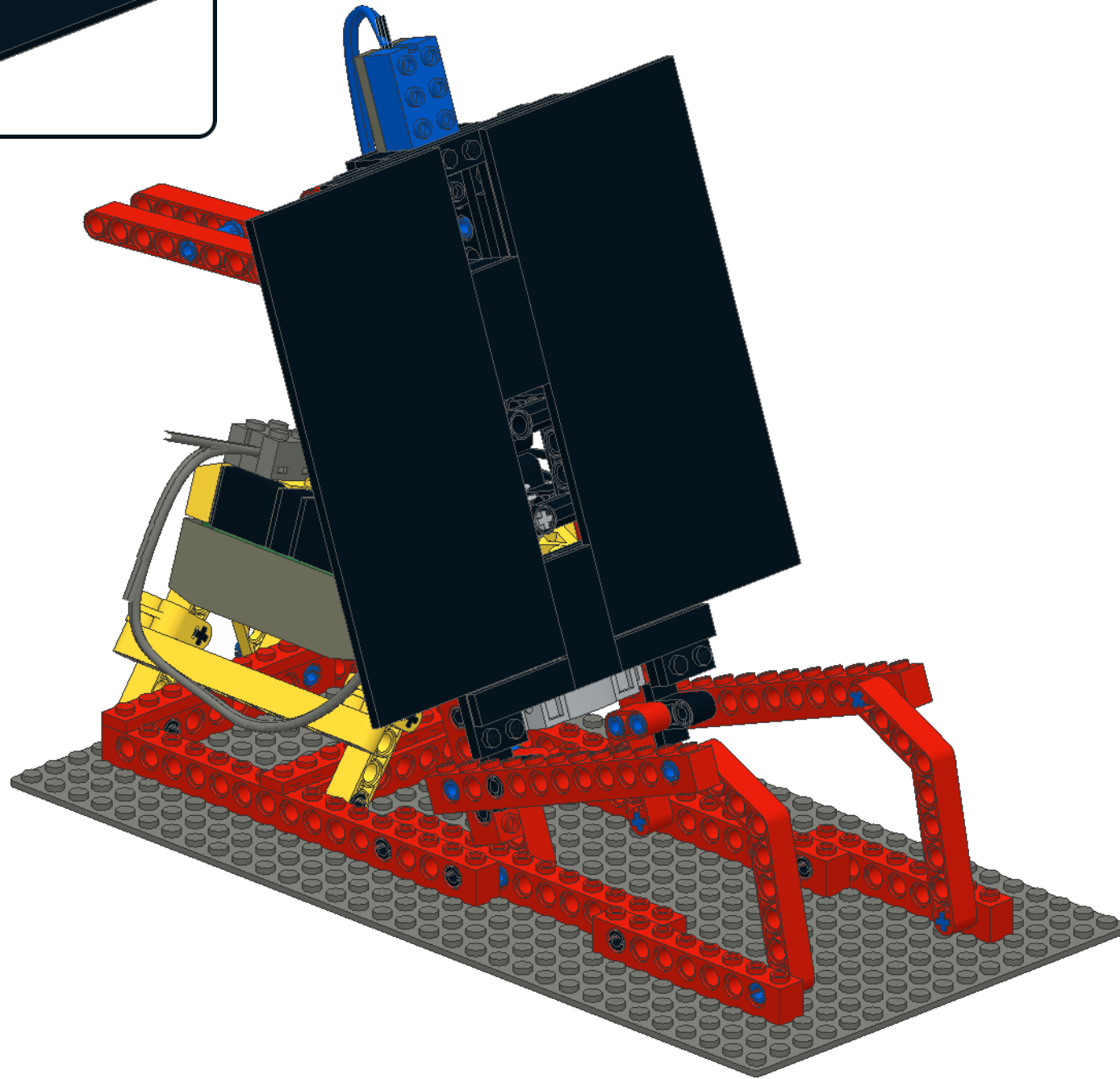
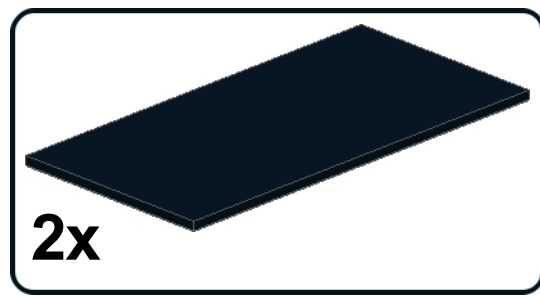
26



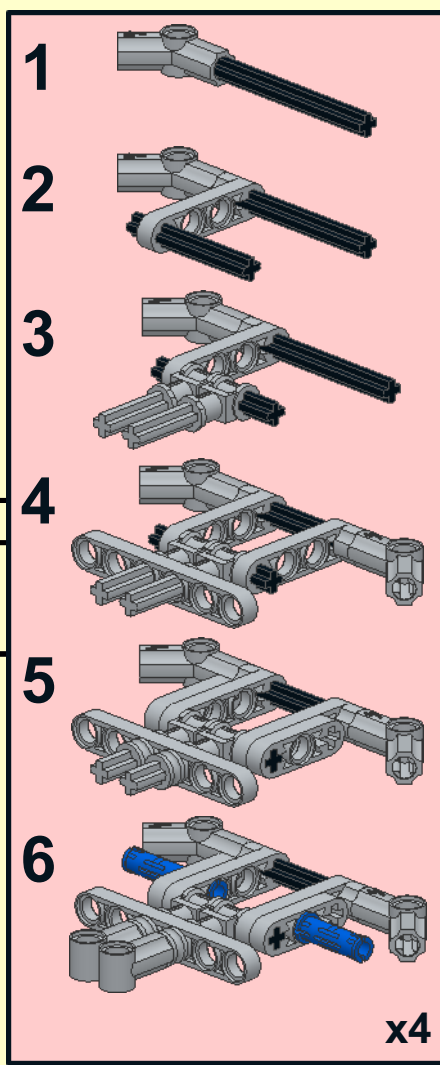
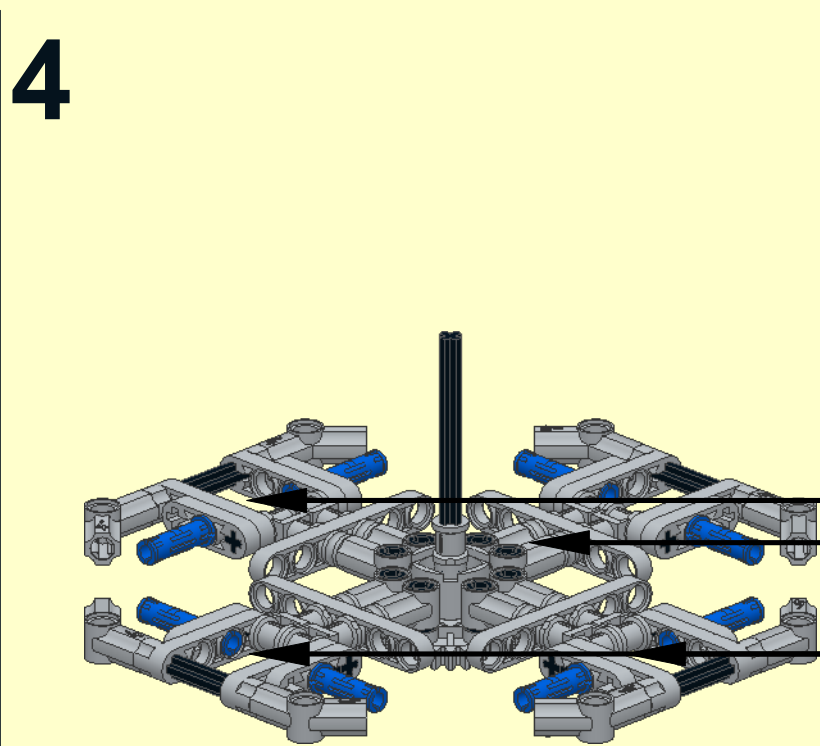
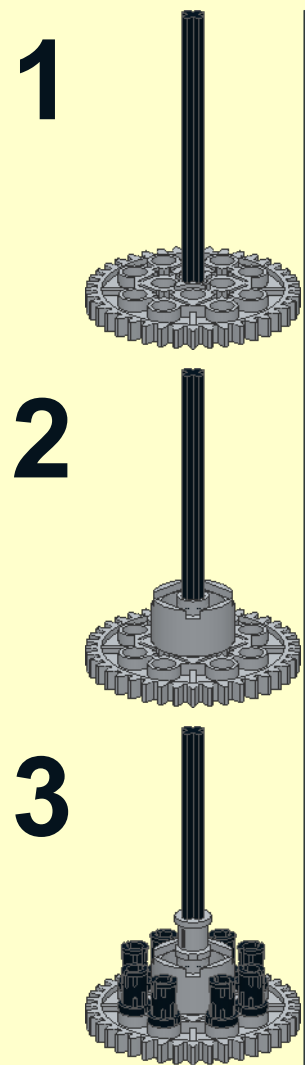
27






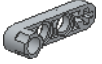





28

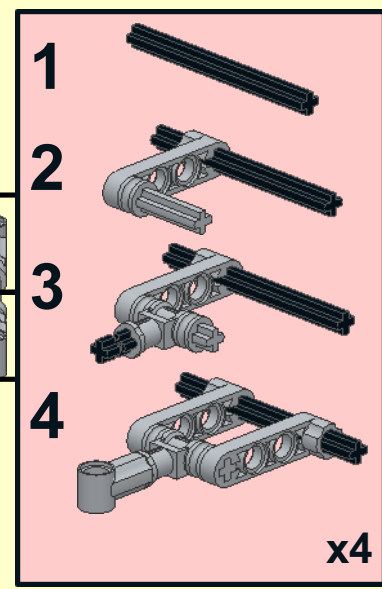
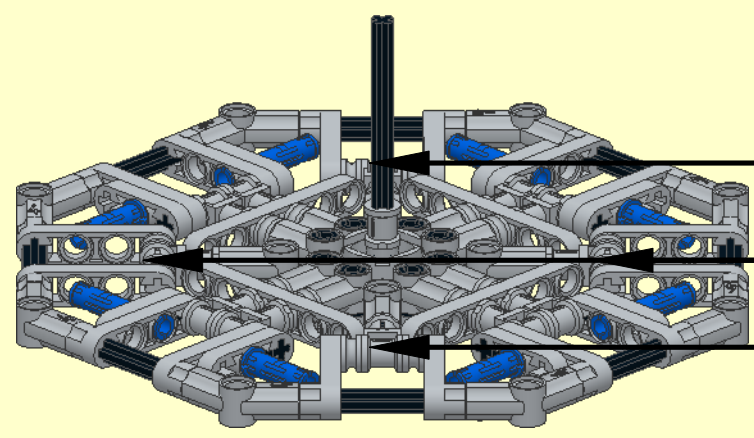


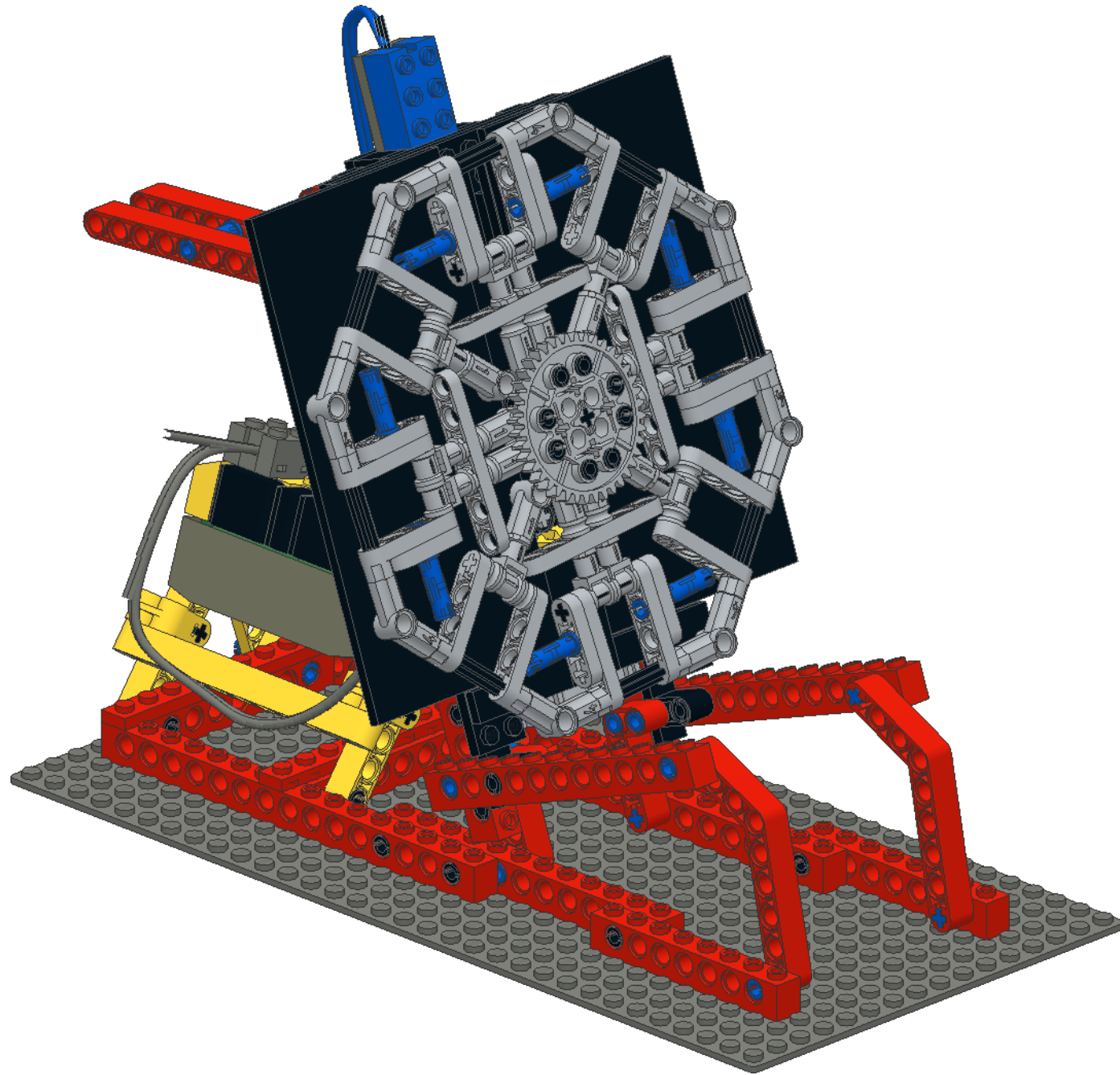
- | | | | | | | | |
|--------------|-----------|-----------|-----------|-----------|-----------|-----------|-----------|
| | | | | | | | |
| 8x 6 | | 8x | 8x | 8x | 8x | 8x | 8x |
| | | | | | | | |
| 4x 8 | 1x | 4 | 3 | 8x | 8x | 8x | 8x |
| | | | | | | | |
| 1x 8x | 4x | 4x | 8x | 1x | 1x | 1x | 1x |



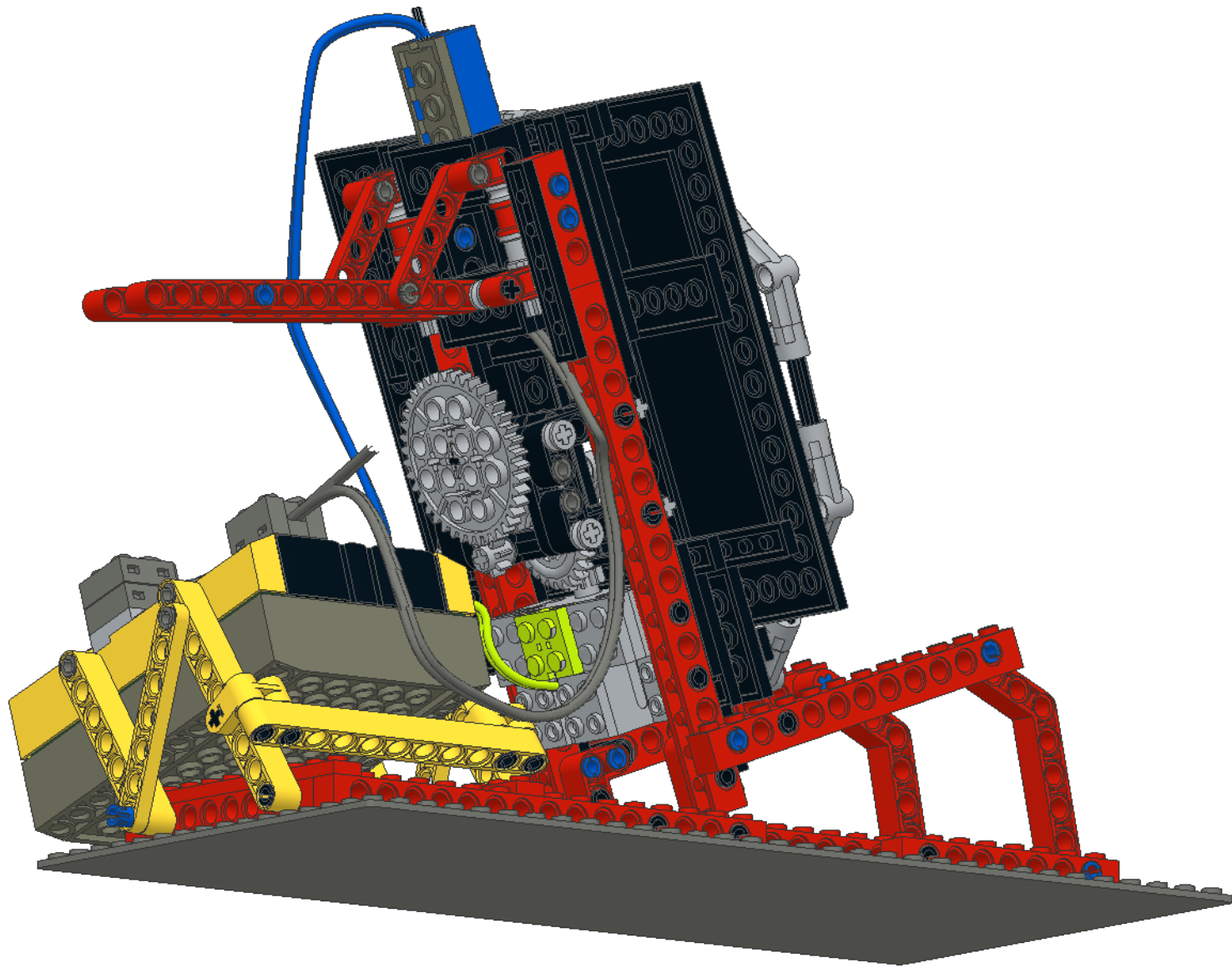
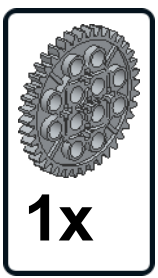
5

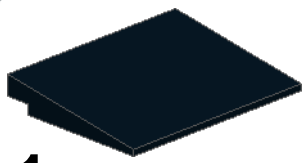
- 8x 
-  4x  4x
- 8x  6  3  2
-  4x  4x  4x



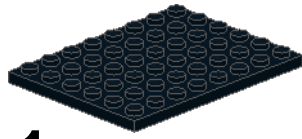


30

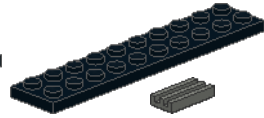




1x



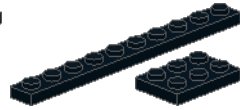
1x



2x



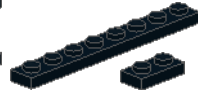
16x



2x



4x



4x



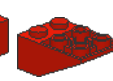
2x



2x



8x



2x



4x



2x

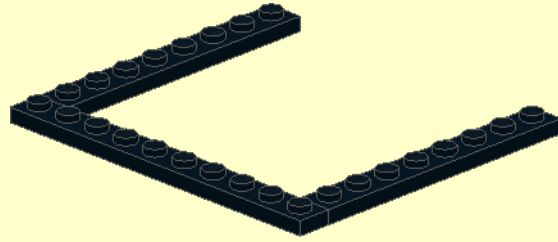


2x

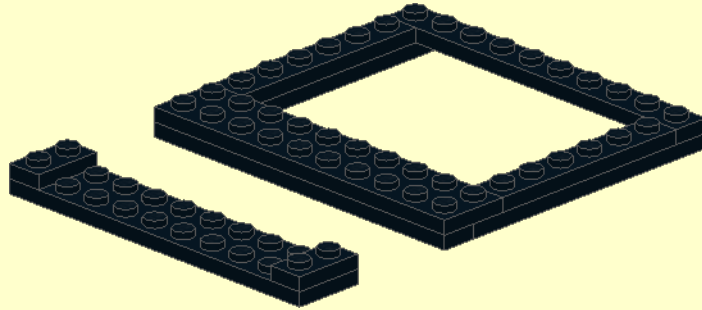


2x

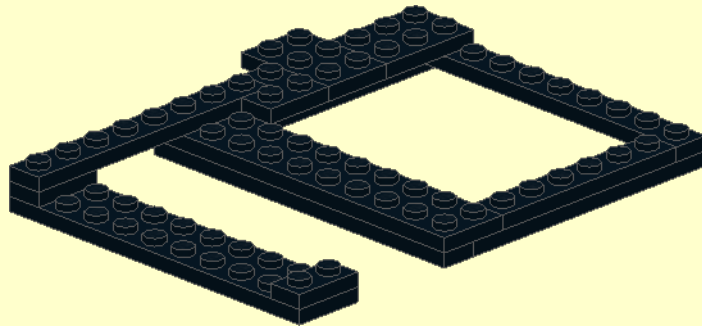
1



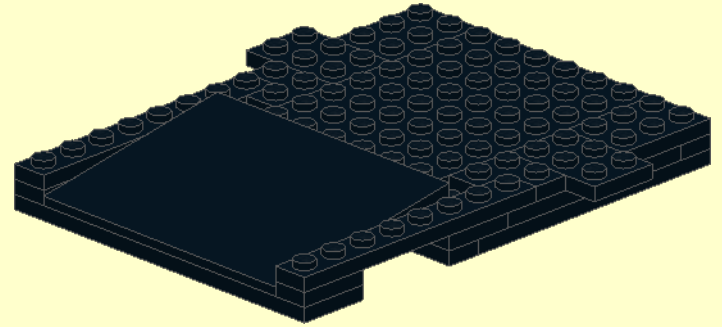
2



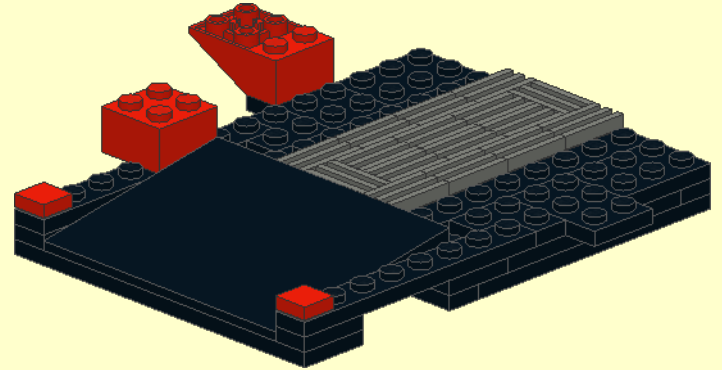
3



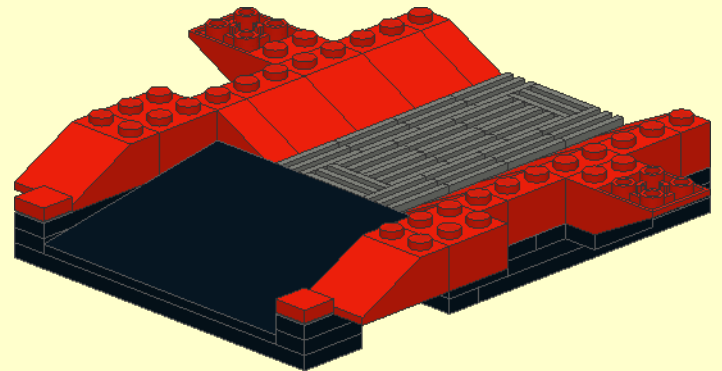
4



5

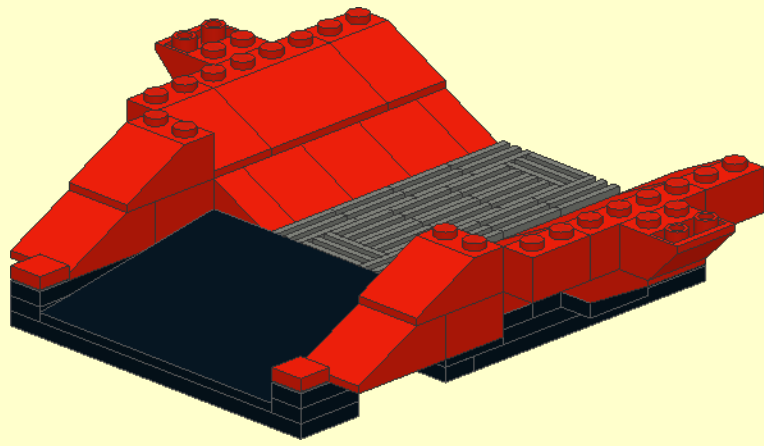


6

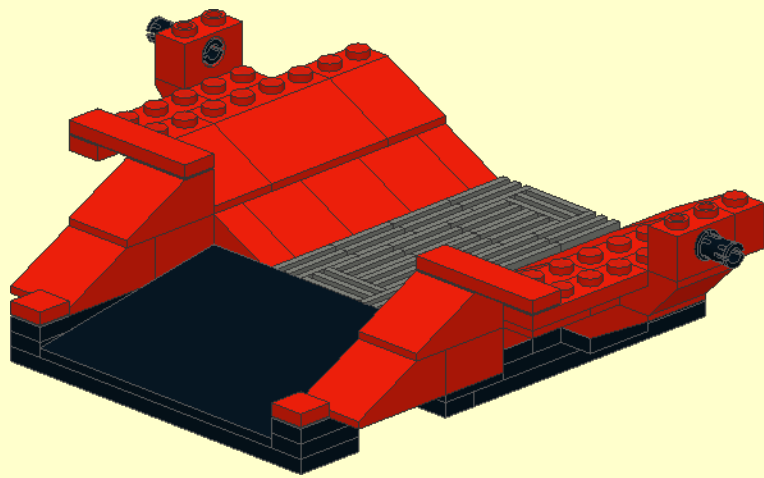


2x	2x	4x	2x	
2x	6x	6x	2x	2x

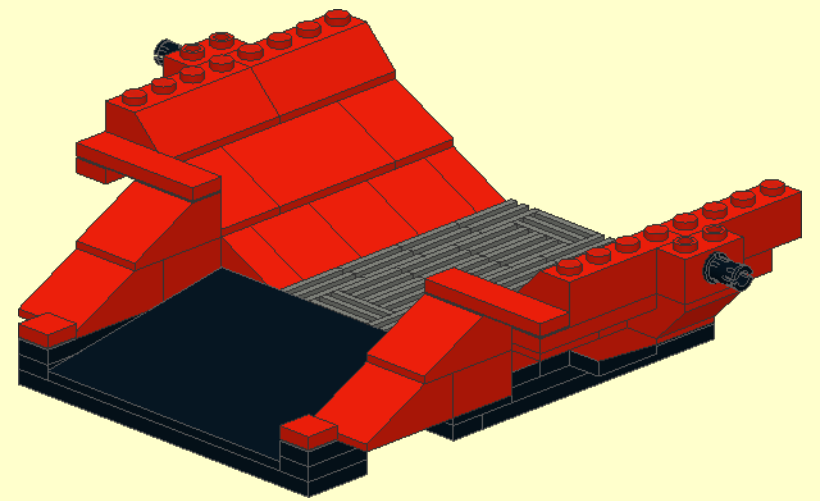
7



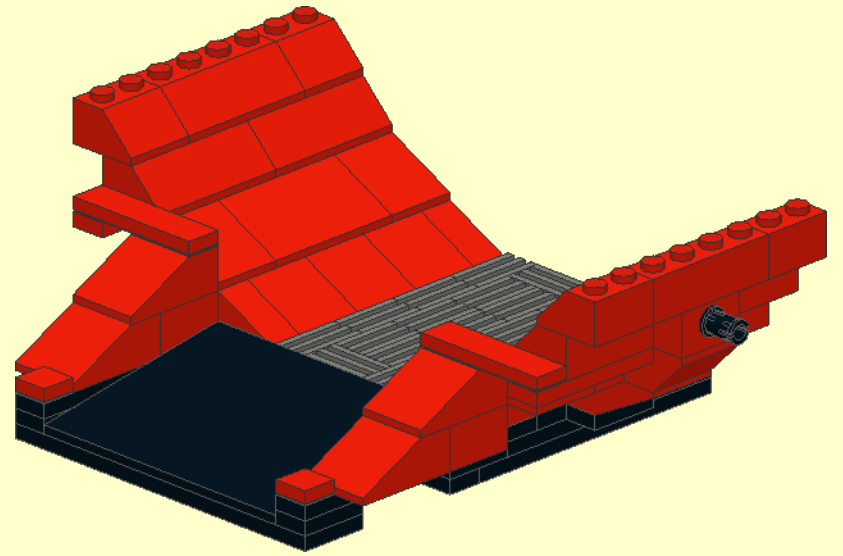
8



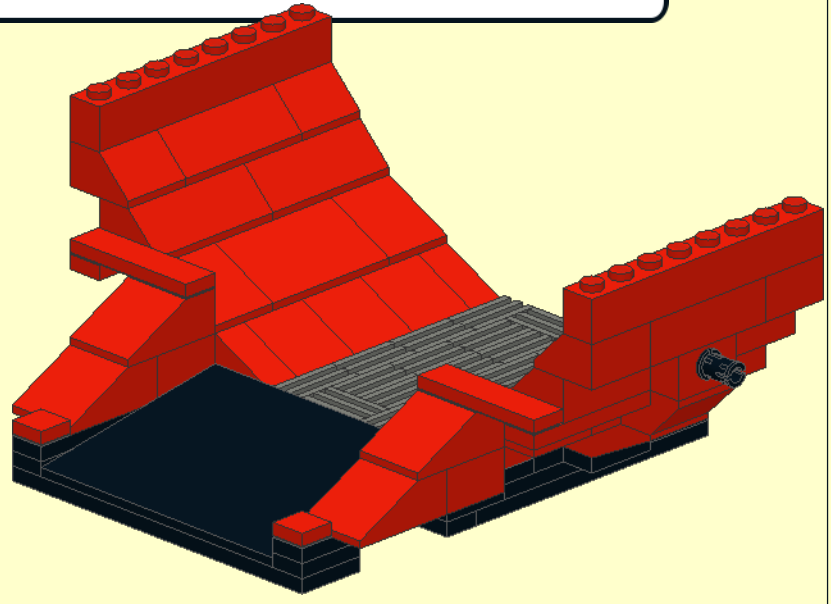
9



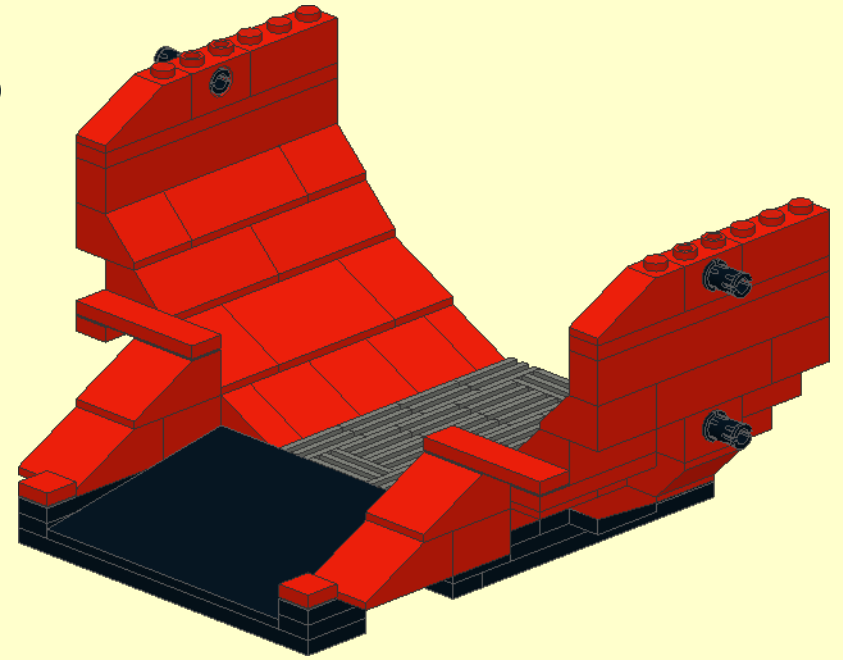
10



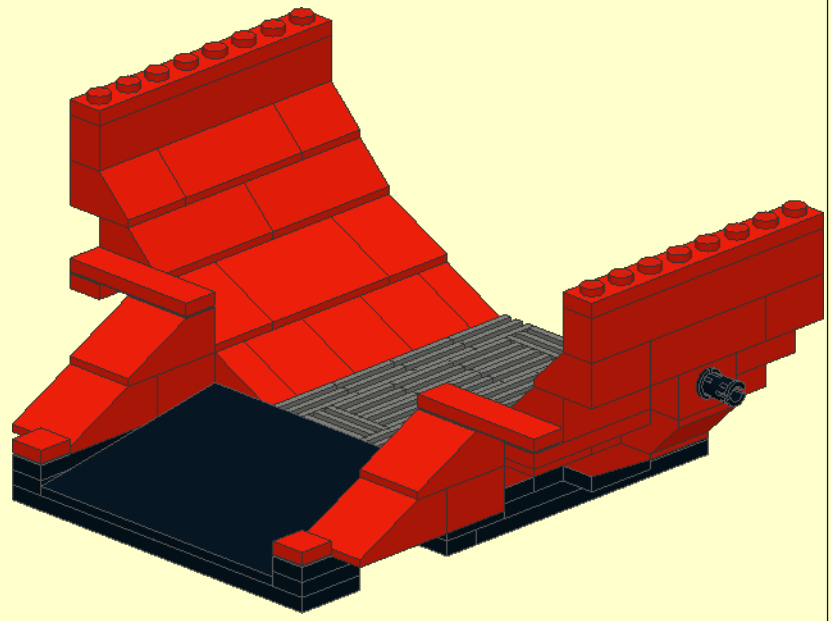
11



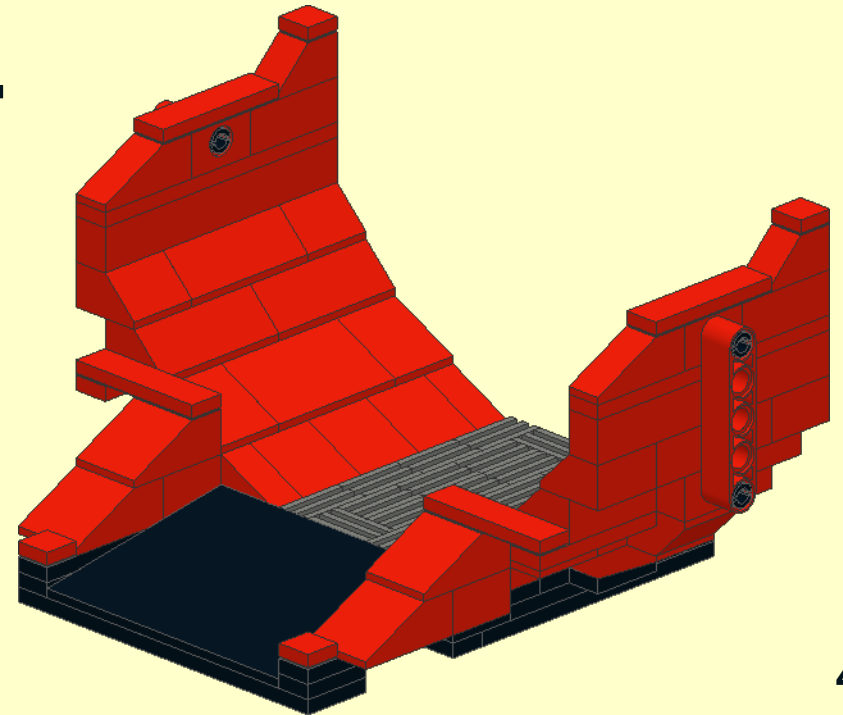
13

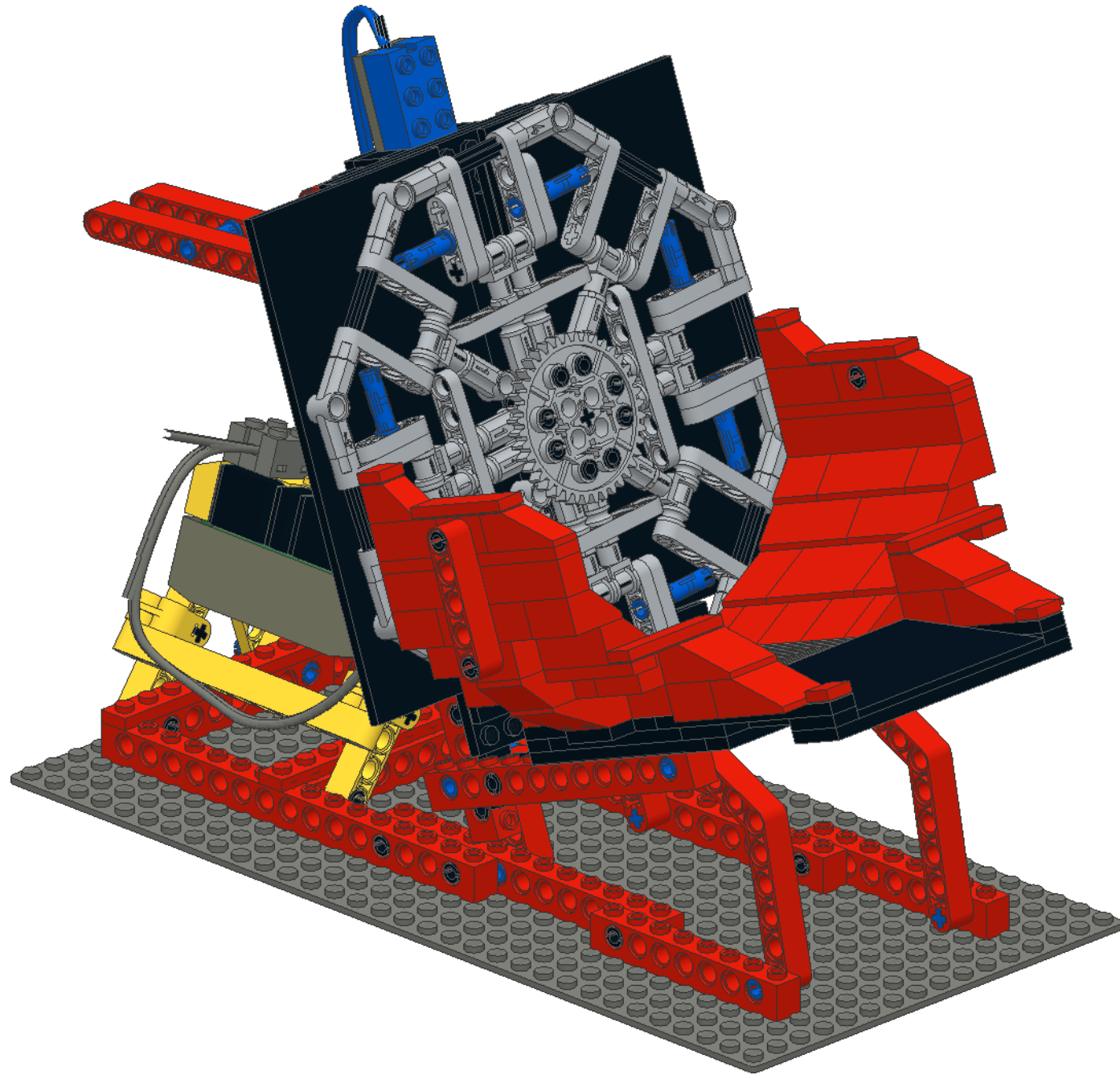


12



14





32

- 1x [1x black L-shaped Technic beam, 1 hole]
- 2x [2x blue Technic pins]
- 1x [1x black Technic beam, 5 holes]
- 1x [1x black L-shaped Technic beam, 2 holes]
- 3 [3x grey Technic pins]
- 2 [2x black Technic pins]
- 2x [2x black 1x2 Technic bricks]
- 1x [1x black 1x2 Technic brick]
- 2x [2x black Technic pins]
- 1x [1x blue Technic pin]
- 1x [1x grey Technic pin]
- 1x [1x grey Technic pin]

