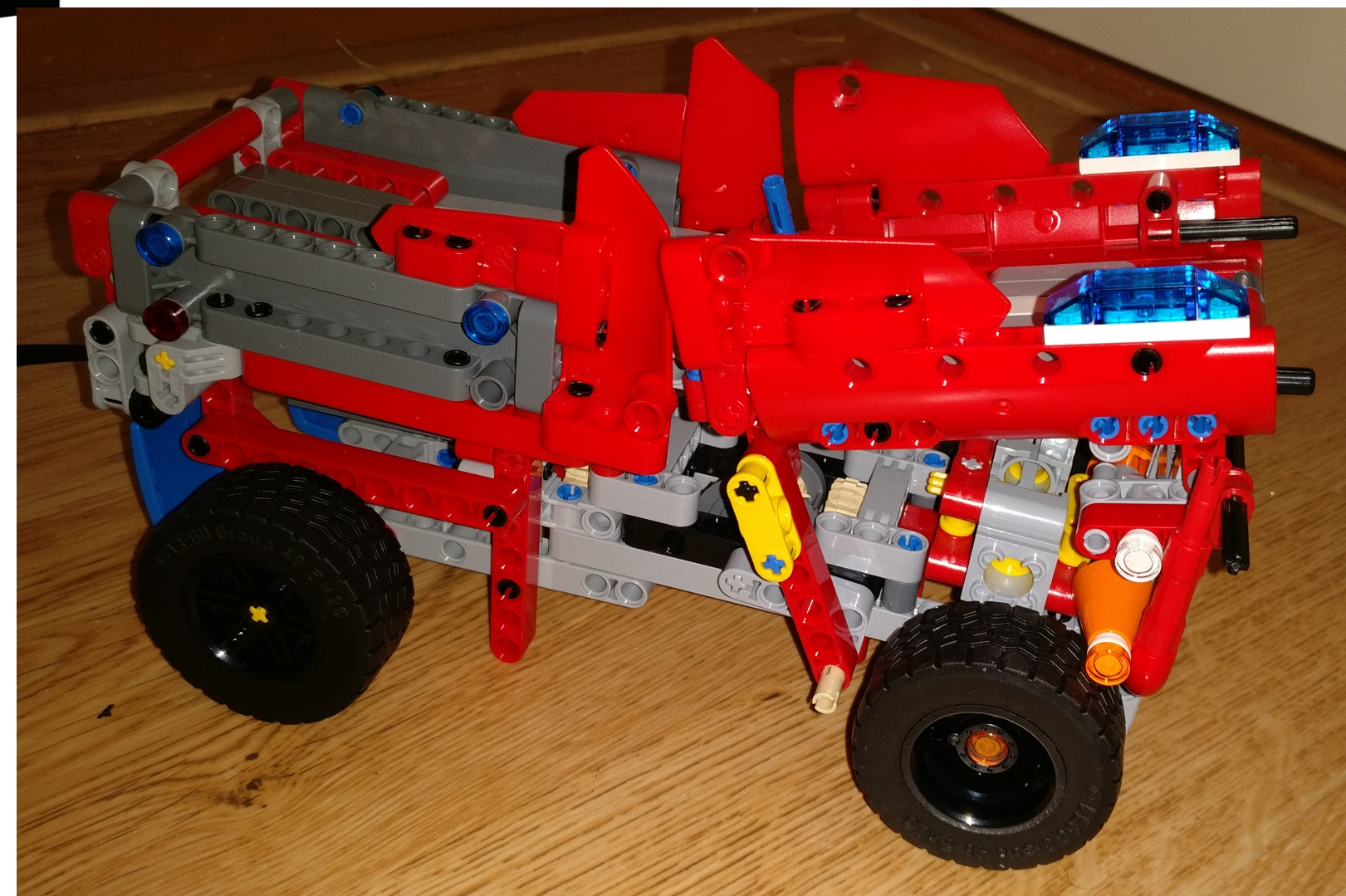
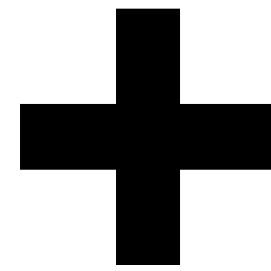


# 42075-C

Model instructions by Maico Arts

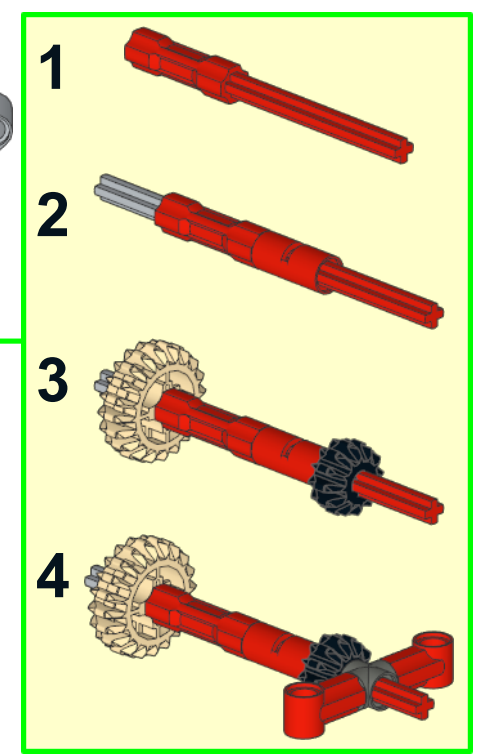
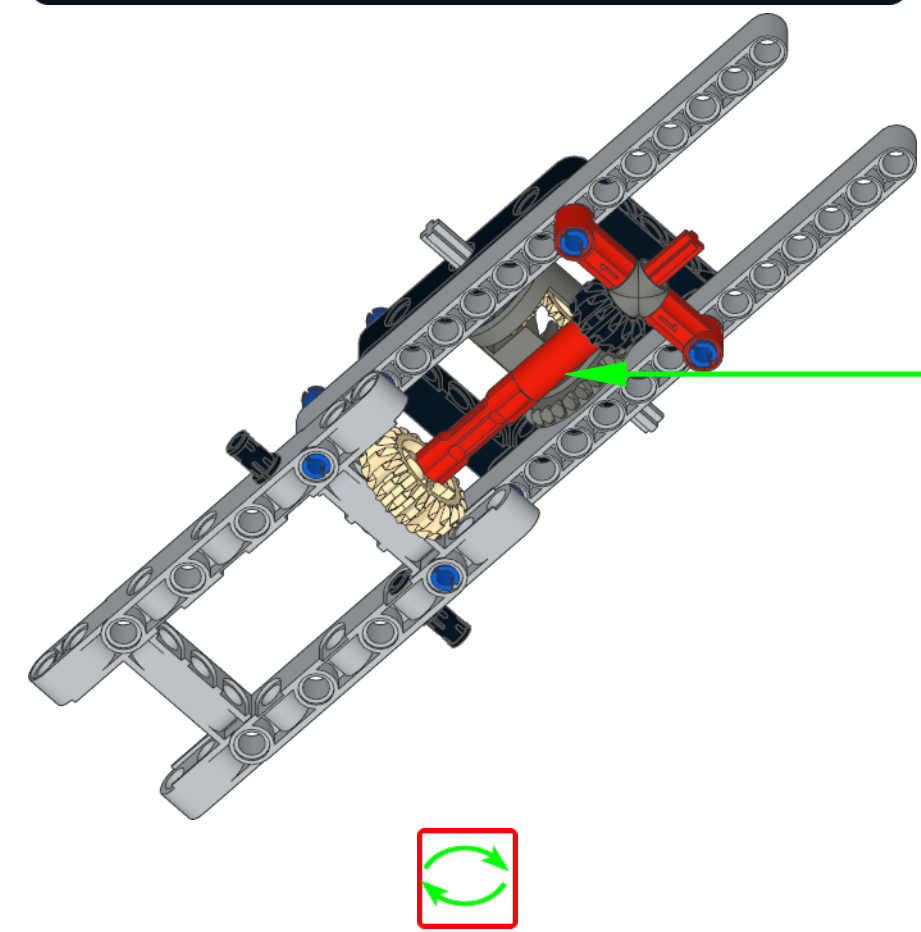
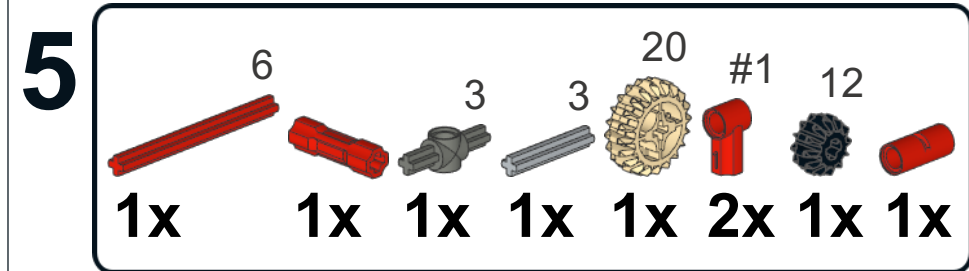
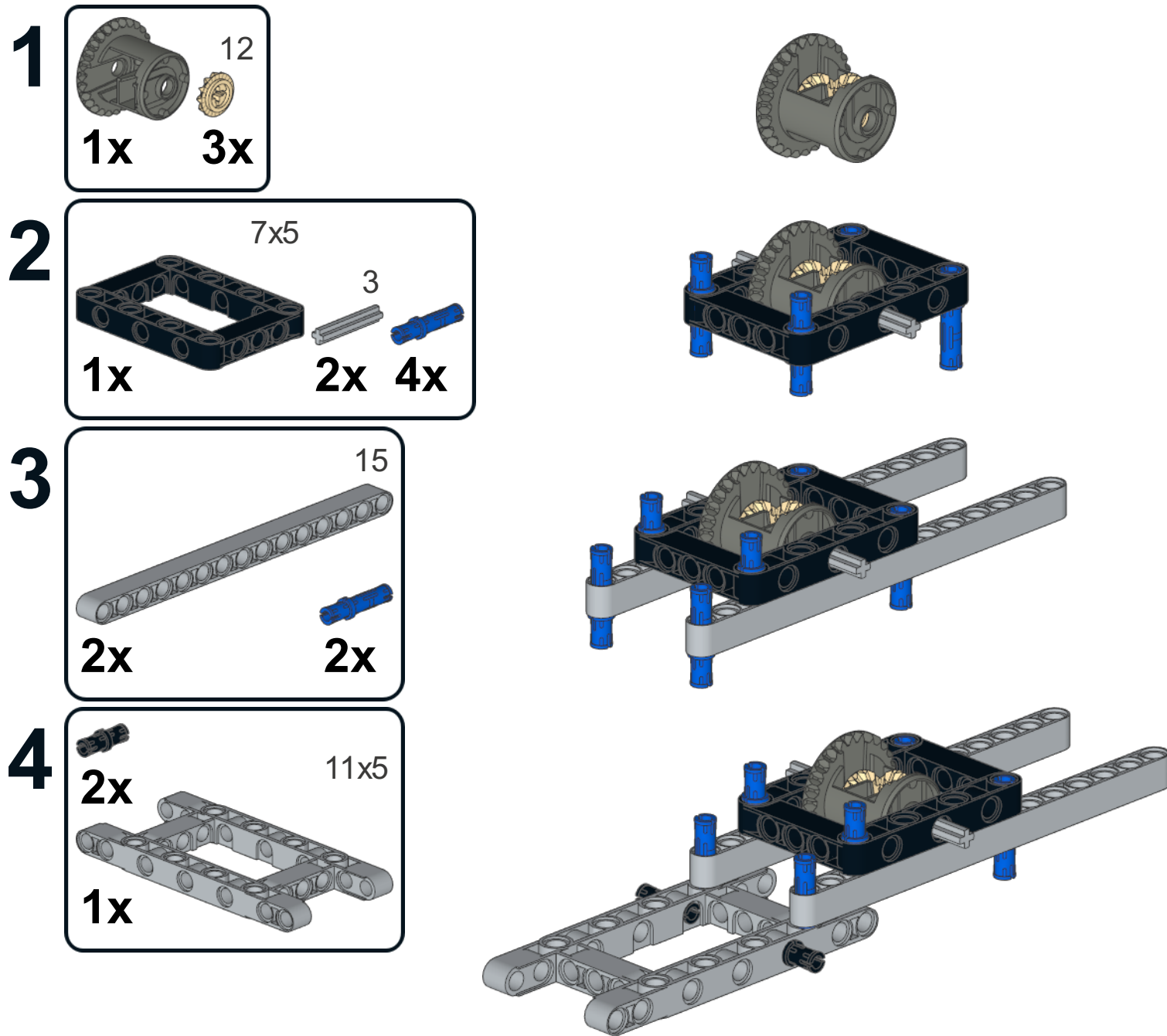


Great Ball Contraption GBC module build by using parts of set 42075 Rescue Truck and a Power Function Medium of Large motor.


395 Pieces

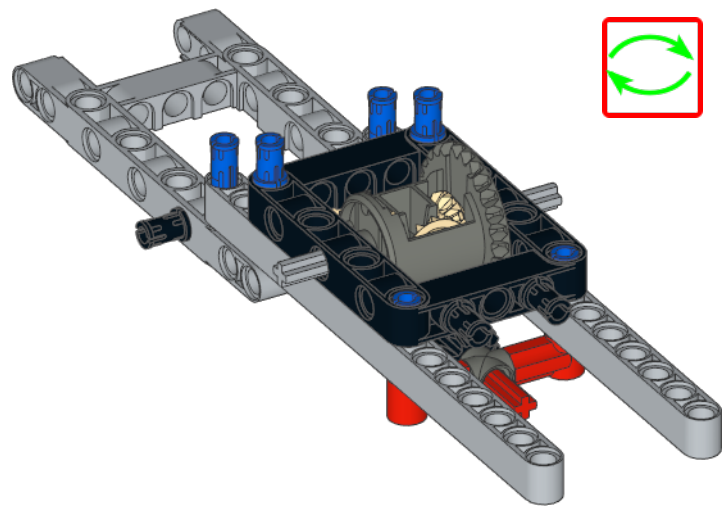





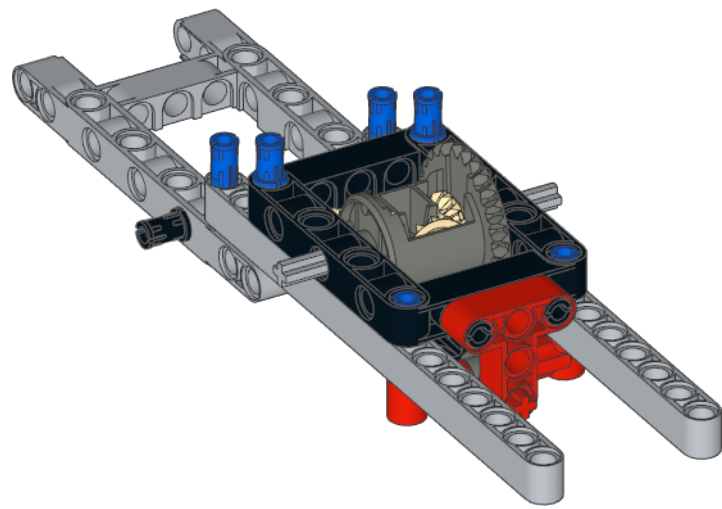











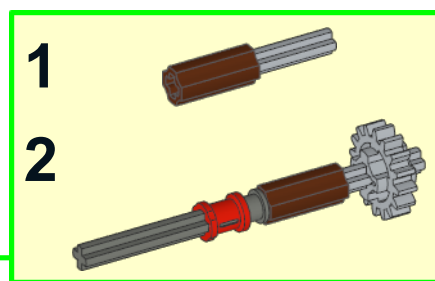
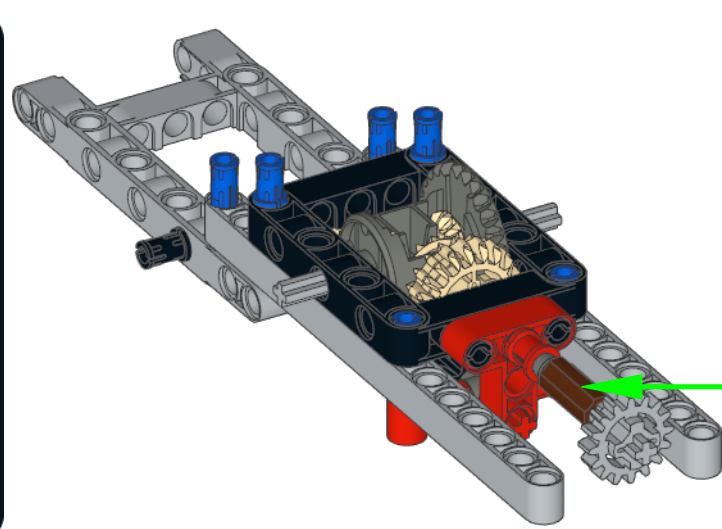
6  2x

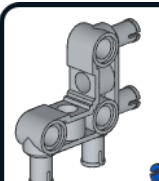



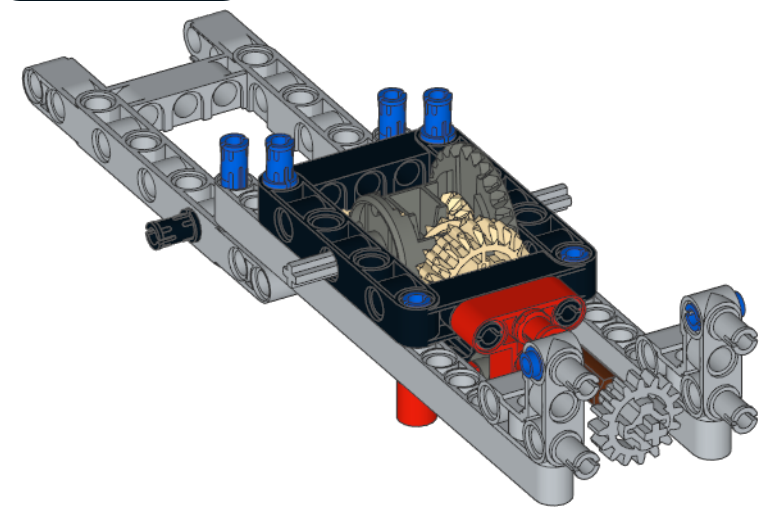
7  3x3  
1x

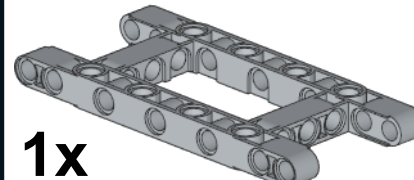
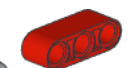

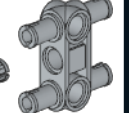


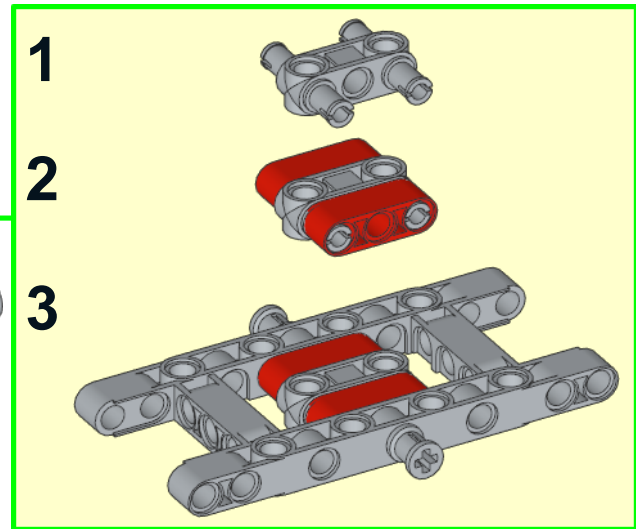
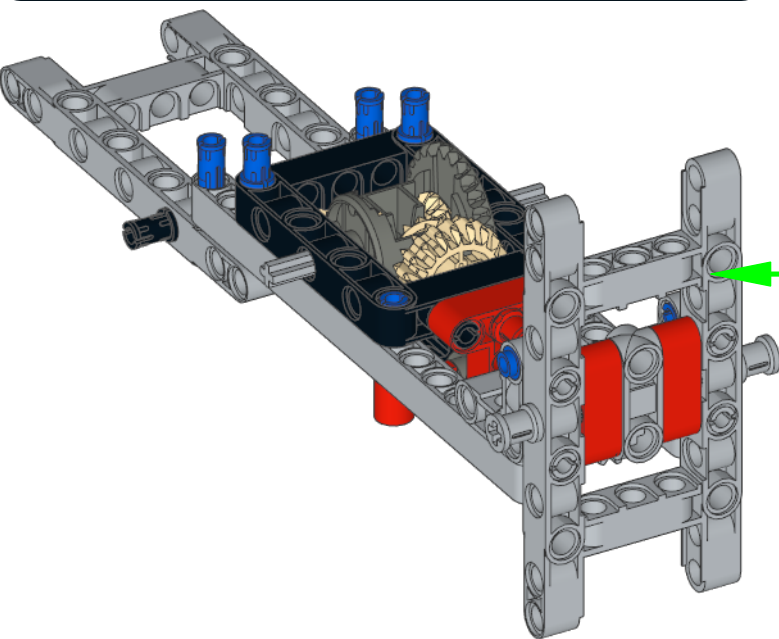
8  1x  
 3  
 1x  
 1x  
 16  
1x  
 20  
 1x  
1x



9  2x  
 2x



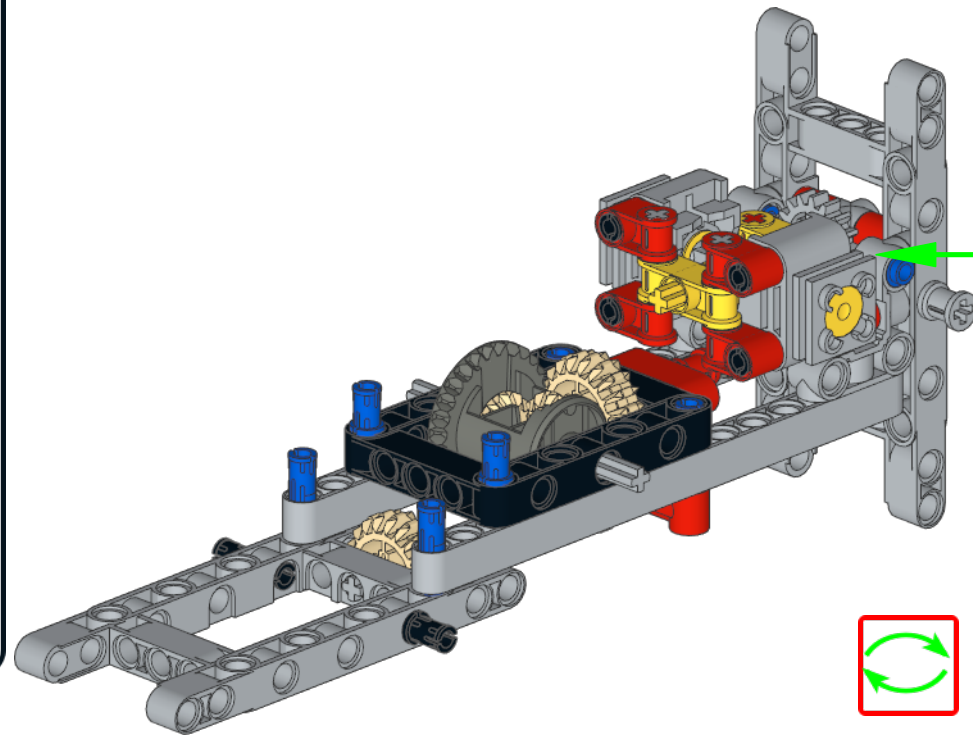
10  11x5 1x  
 3 2x  
 2x  
 1x3 1x





# 11

- 3
- 3x
- 1x3
- 2x
- 2x
- 2x
- 1x2
- 6x
- 16
- 1x
- 2x
- 2x
- 2x
- 4x
- 2x
- 2
- 2x
- 2x
- 2x
- 2x



1

2

3

4

5

6

1

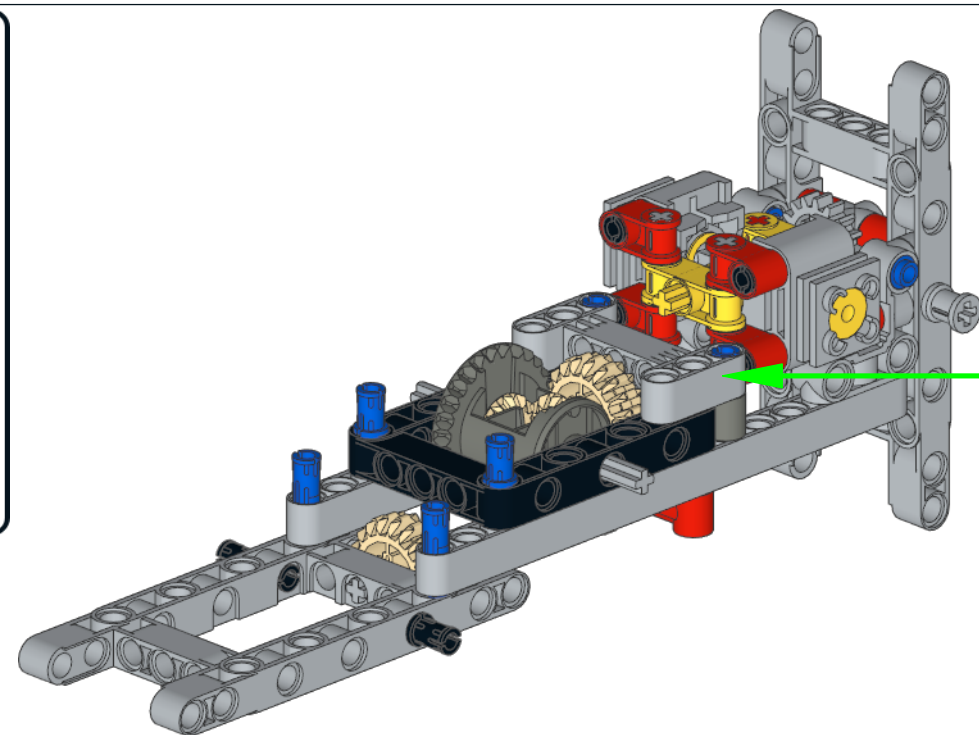
2

3

4

# 12

- 1
- 2x
- 2x
- 1x
- 5x3

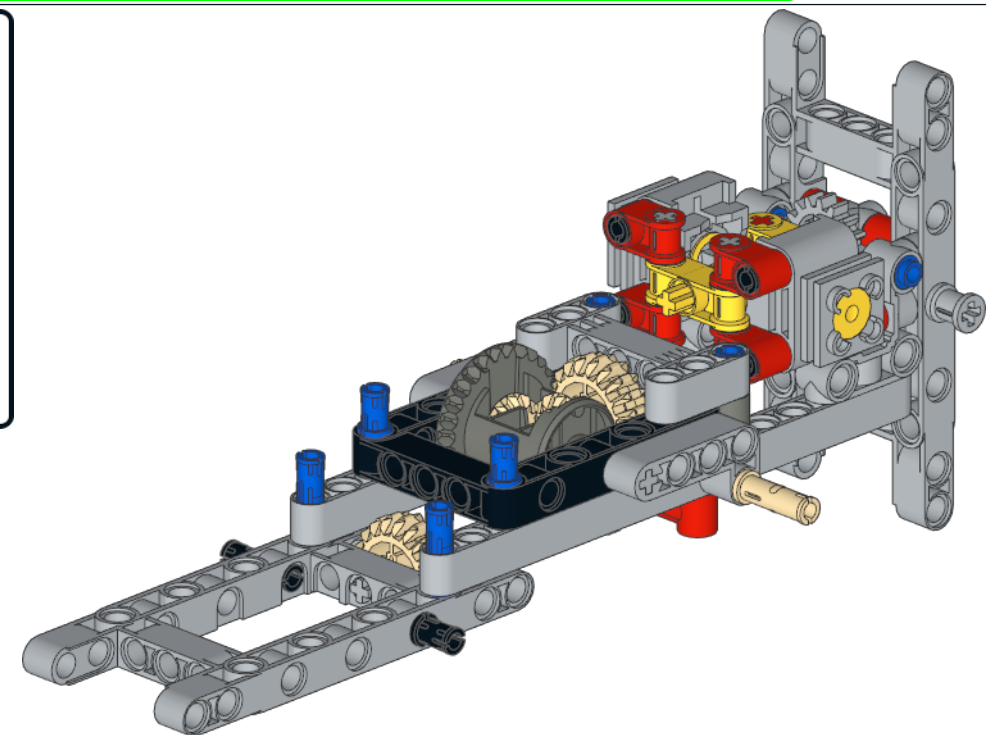


1

2

# 13

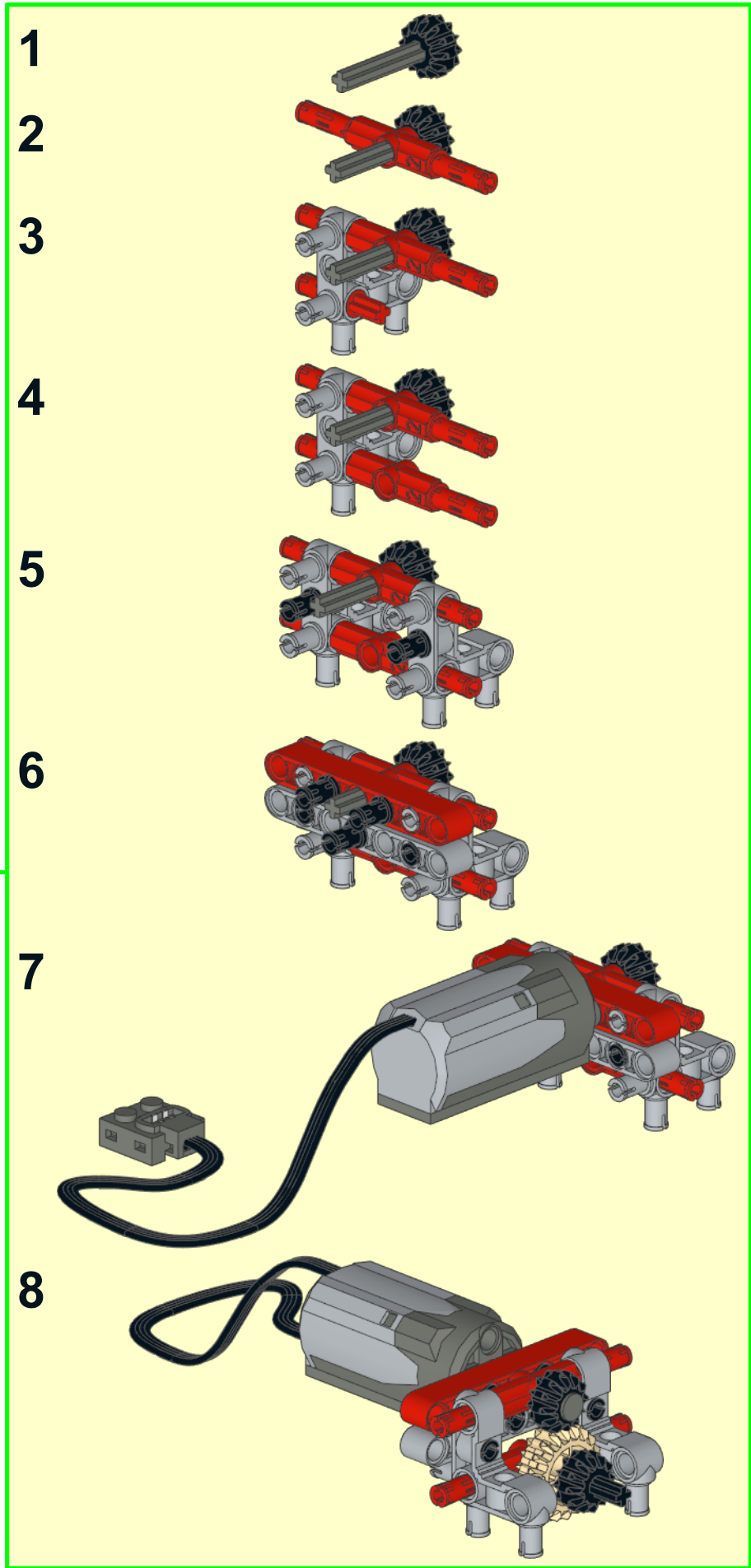
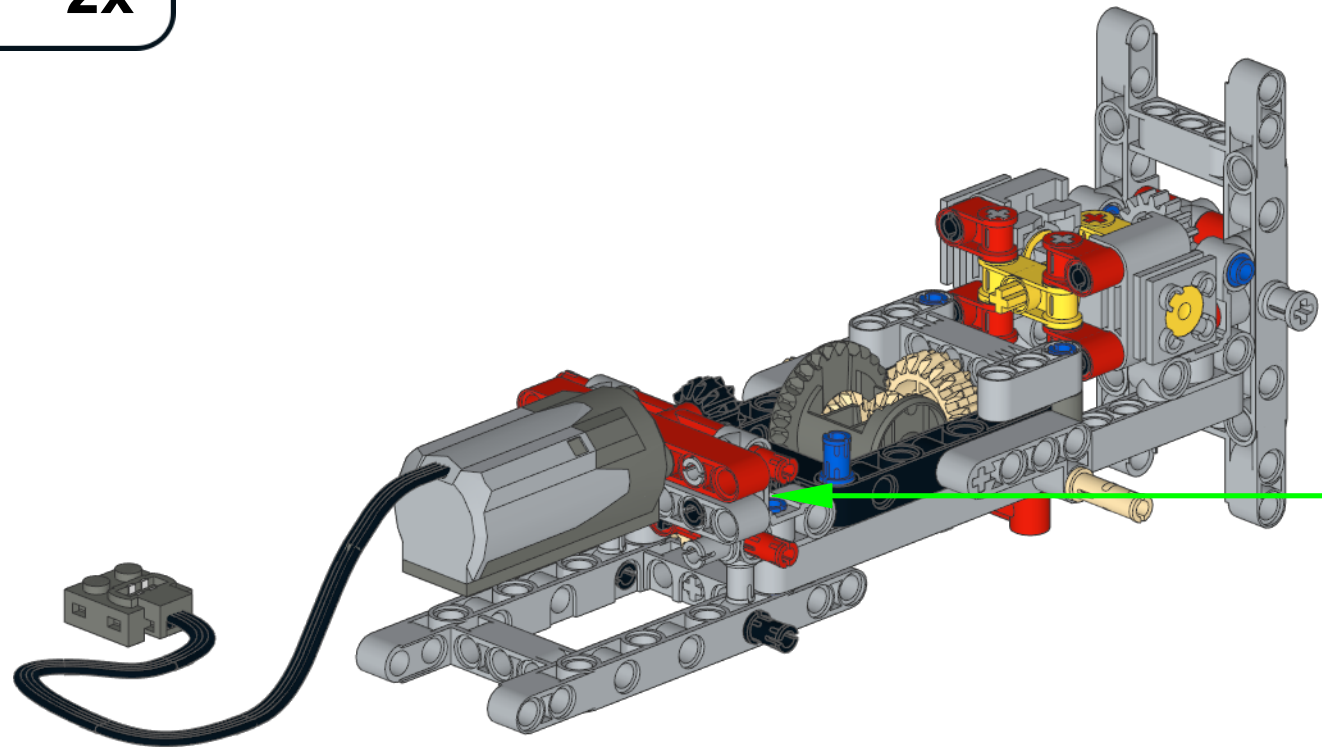
- 2x
- 2x4
- 2x







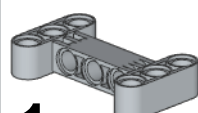
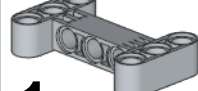


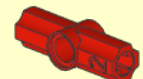
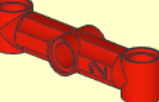
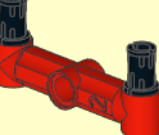
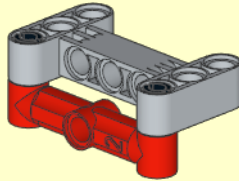
# 14

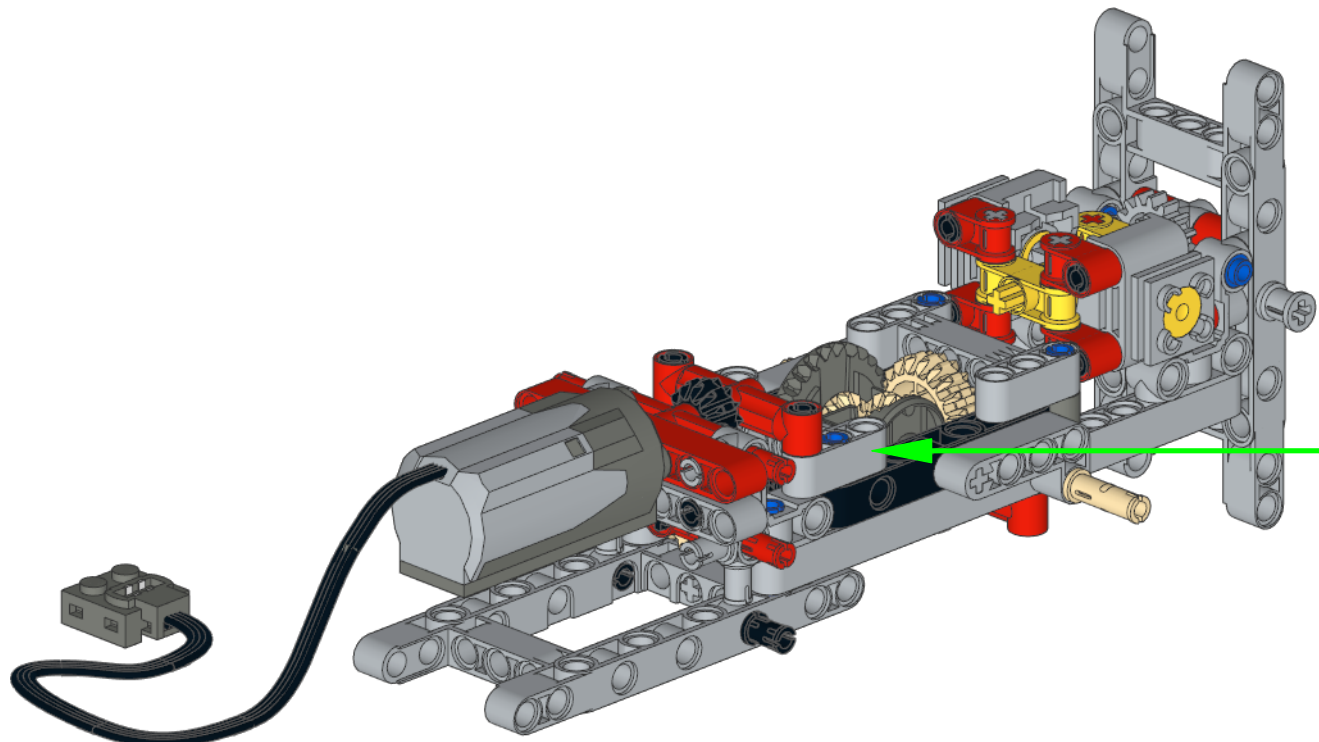
- |    |   |    |   |    |
|----|---|----|---|----|
| 4x | 7 | 5x | 4 | 12 |
| 1x | 7 | 1x | 4 | 20 |
| 1x |   | 1x |   | #2 |
| 1x |   | 2x |   | 2x |

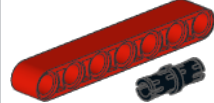




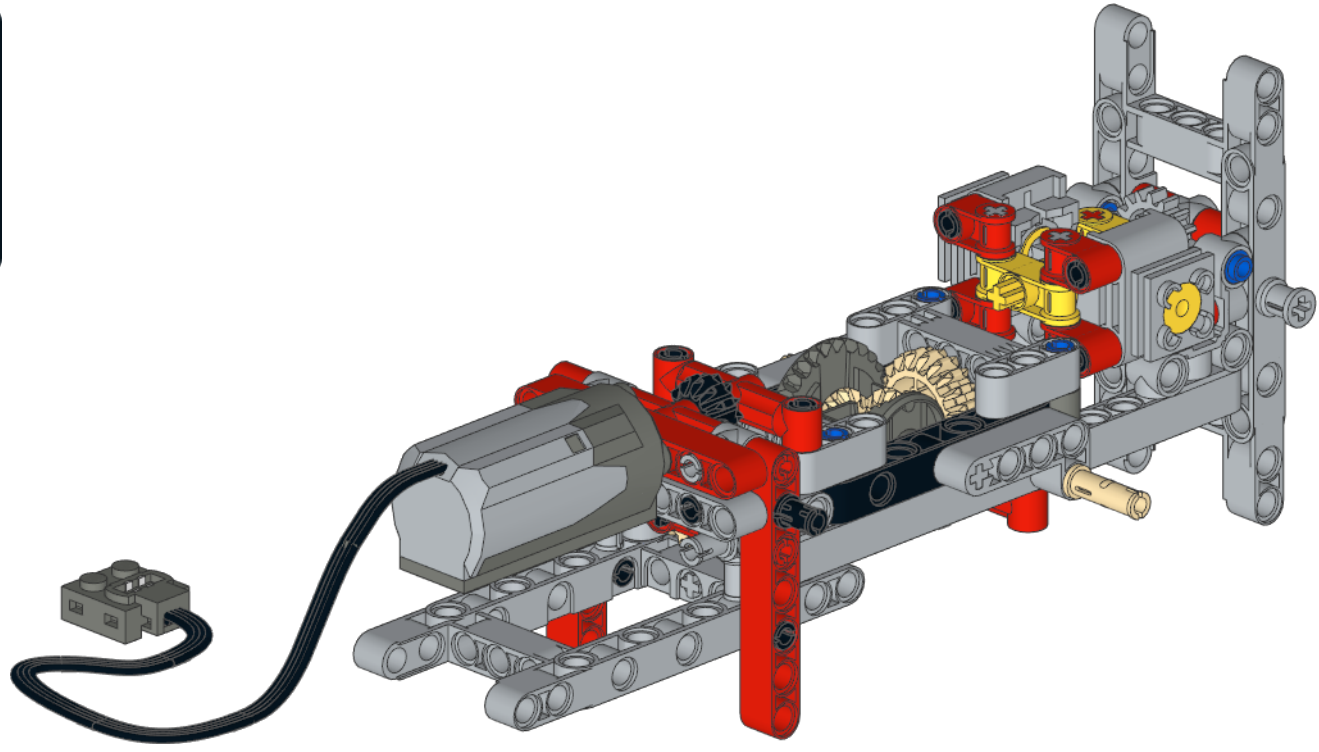


- 15**
- 2x 
  - 2x 
  - 2x 
  - #2 
  - 1x  5x3
  - 1x 










- 1 
- 2 
- 3 
- 4 

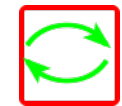
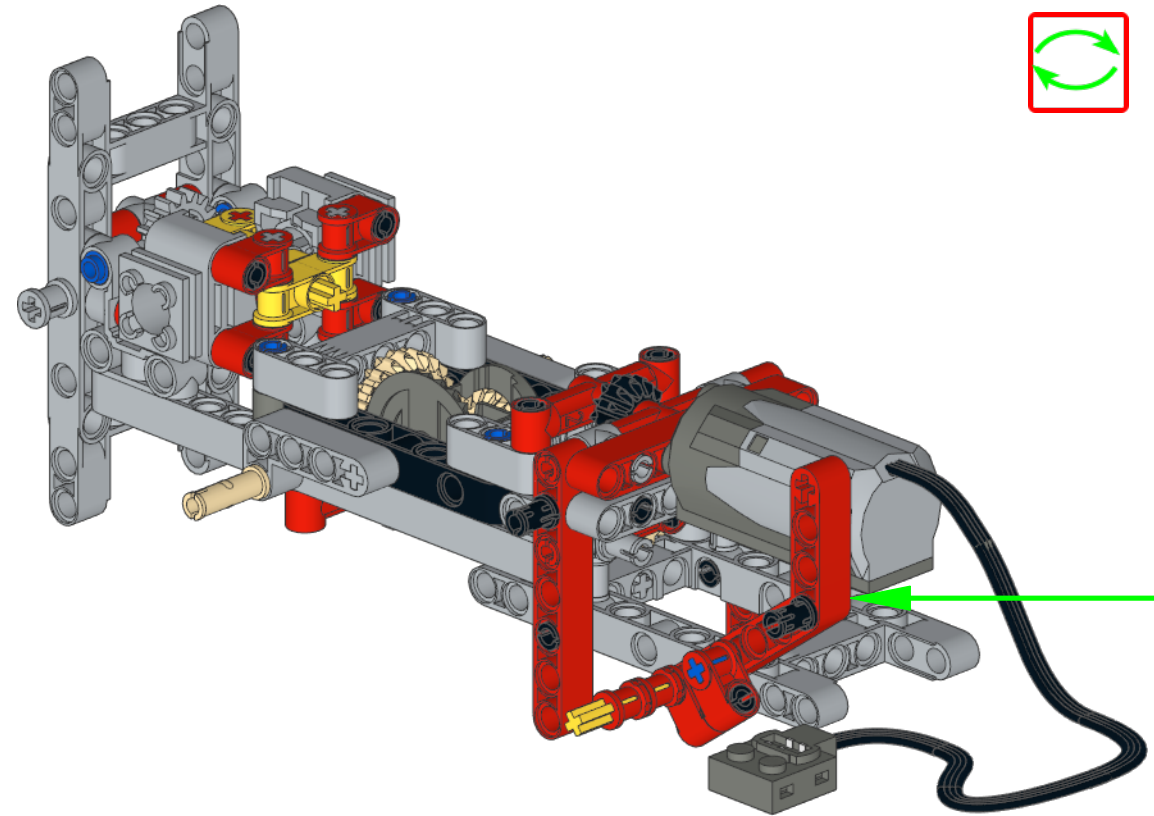


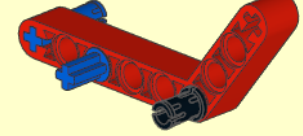
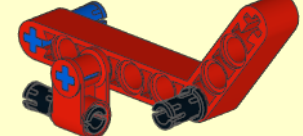
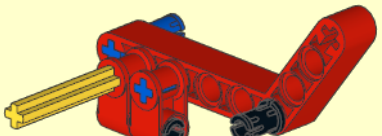
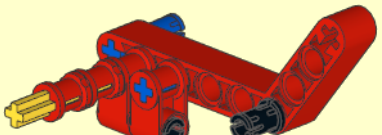
- 16**
-  7
  - 2x 
  - 2x 

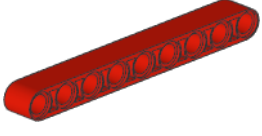


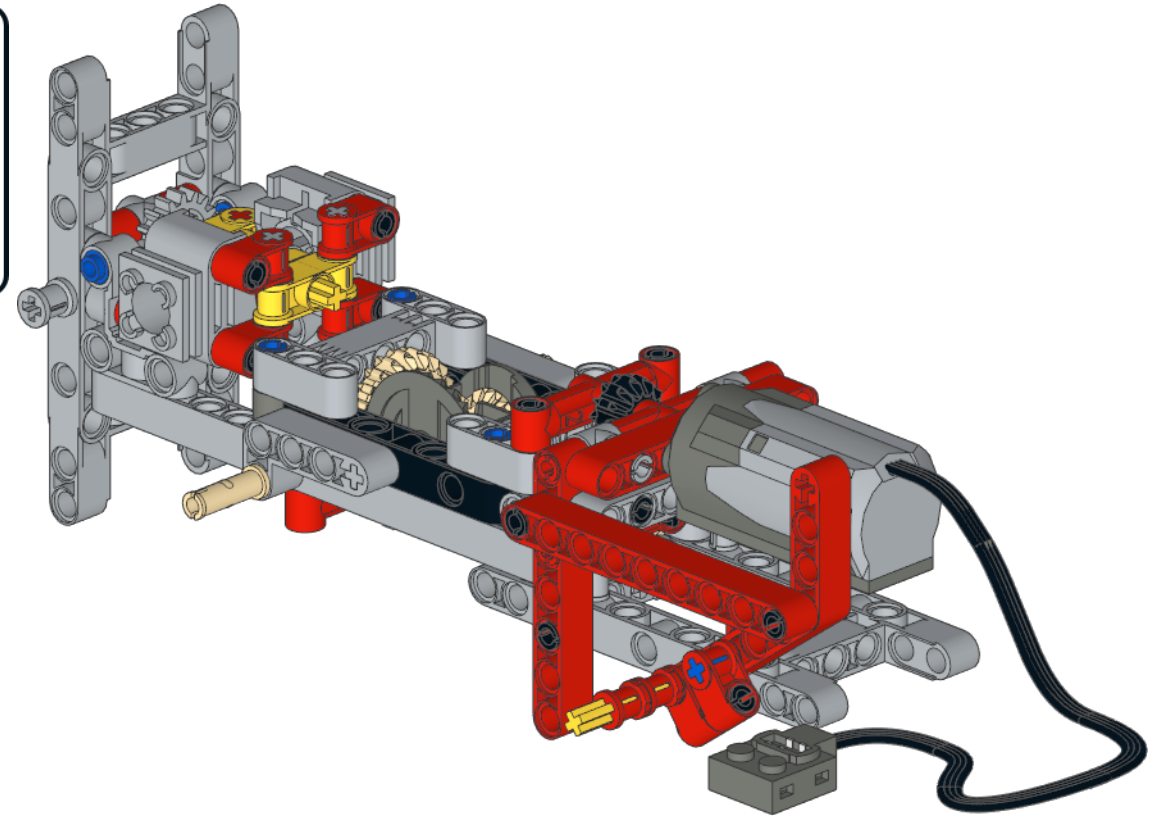


- 17**
- 2x 
  - 2x 
  - 2x 
  - 1x2 
  - 2x  5  4x6
  - 1x 
  - 1x 
  - 2x 



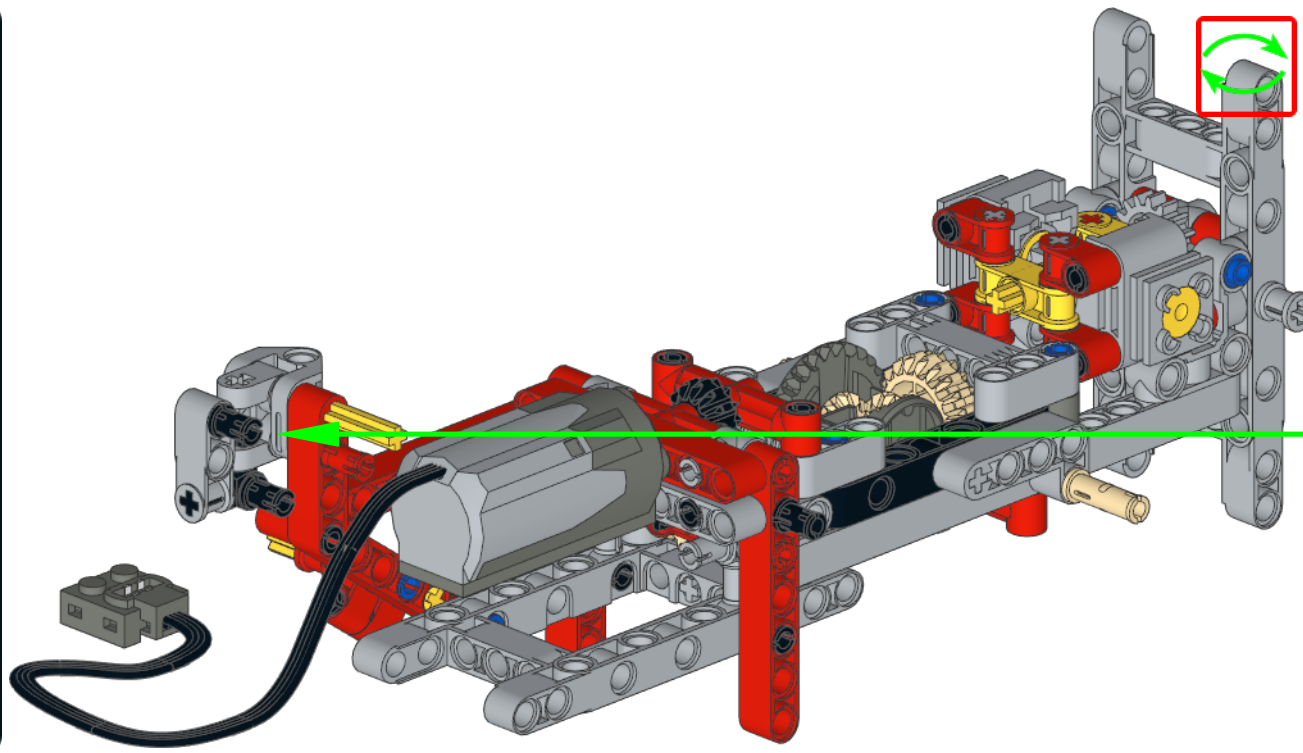
- 1 
- 2 
- 3 
- 4 

- 18**
- 1x  9



# 19

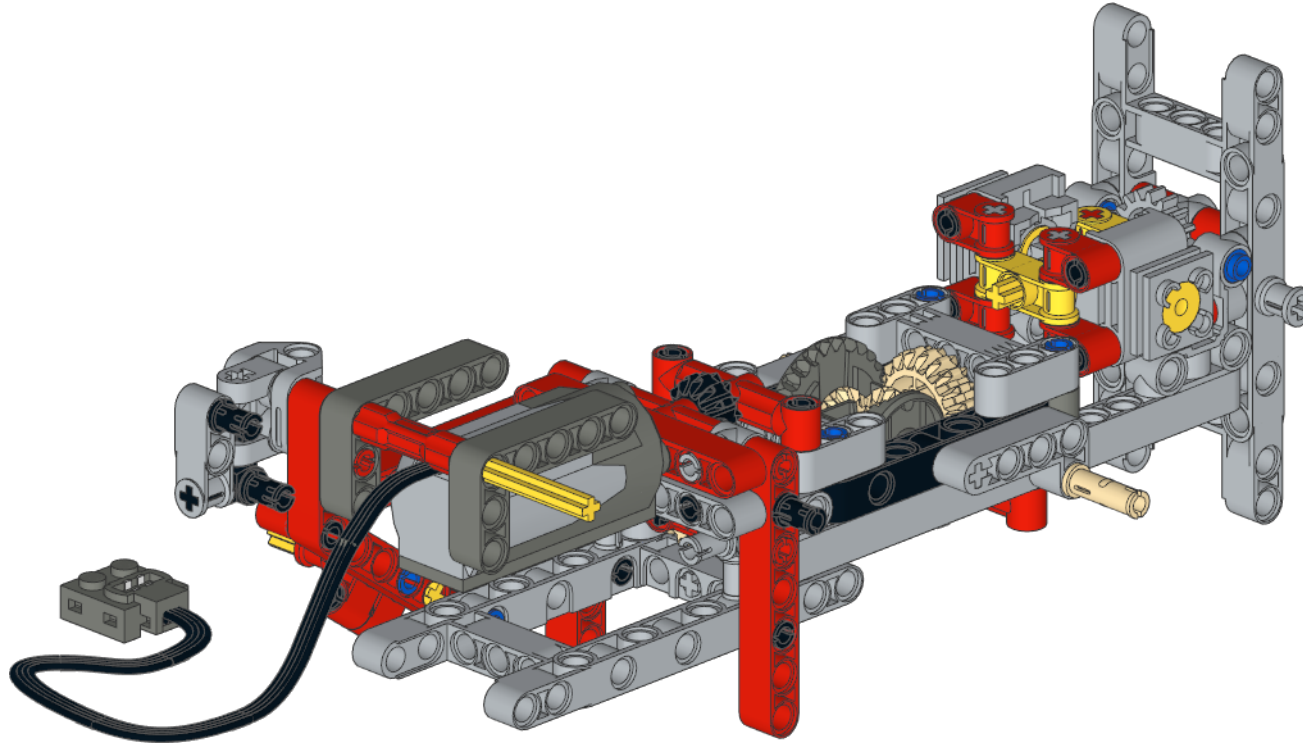
- 1x3
- 1x
- 1x
- 2x2x2
- 1x
- 1x
- 1x
- 2x
- 2x
- 1x
- 1x



- 1
- 2
- 3

# 20

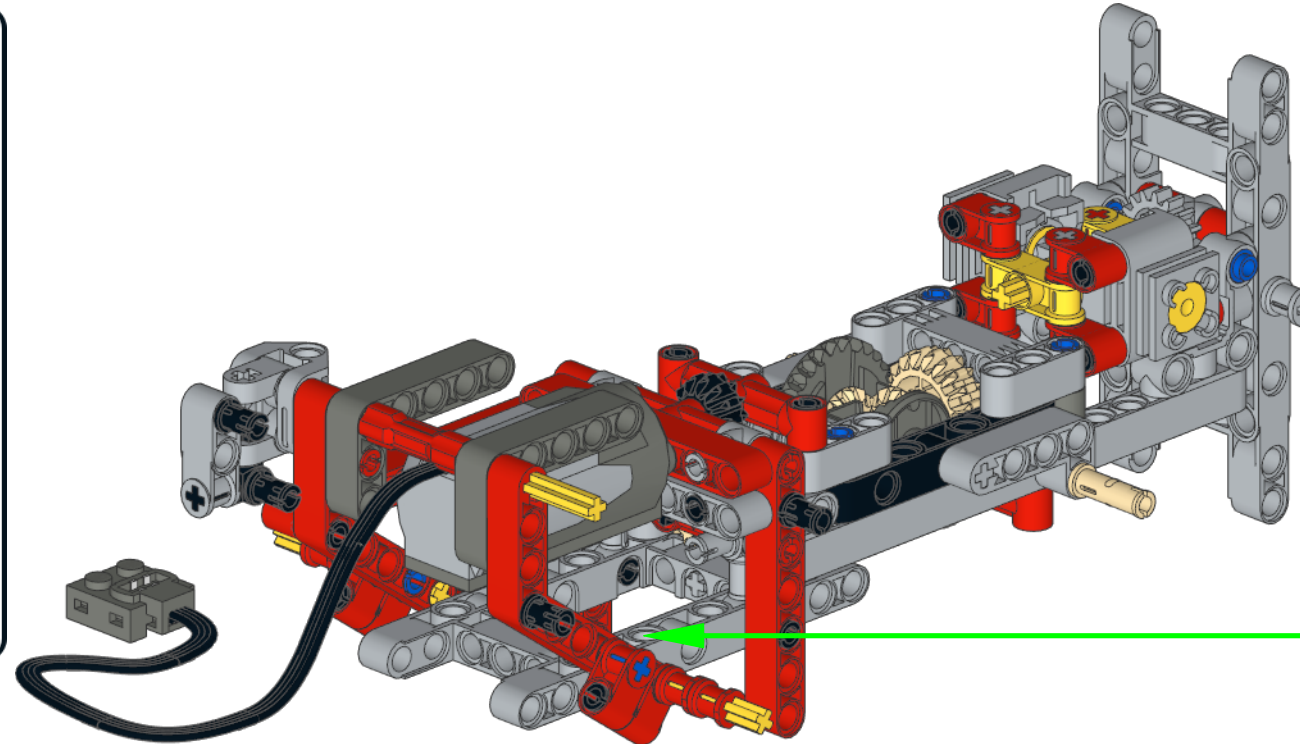
- 1x
- 1x
- 1x
- 2x





21

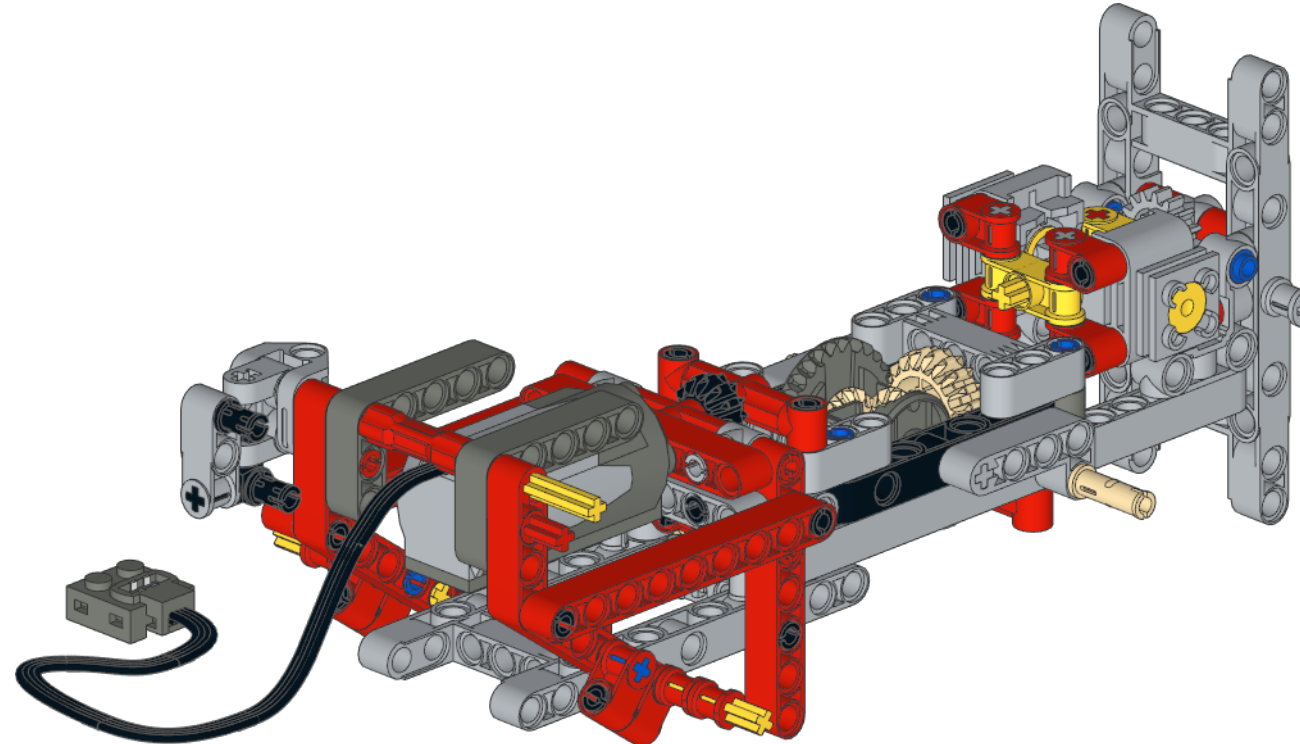
2x
   
 1x2
   
 2x 5 4x6
   
 1x
   
 1x 2x 2x





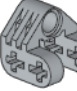
1 
  
 2 
  
 3 
  
 4

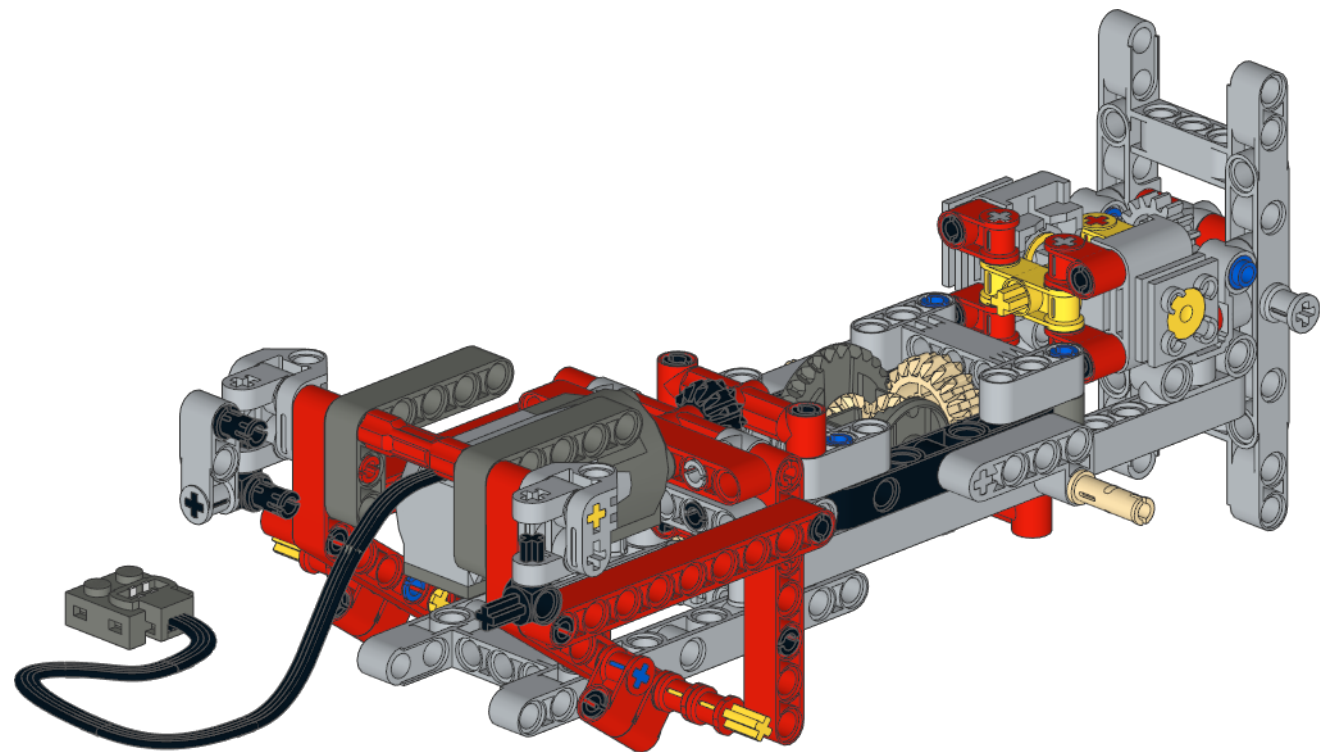
22

1x 9
   
 1x 1x


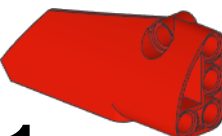
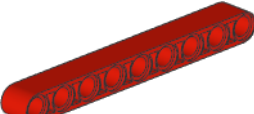
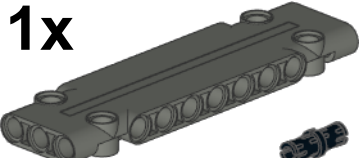




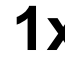






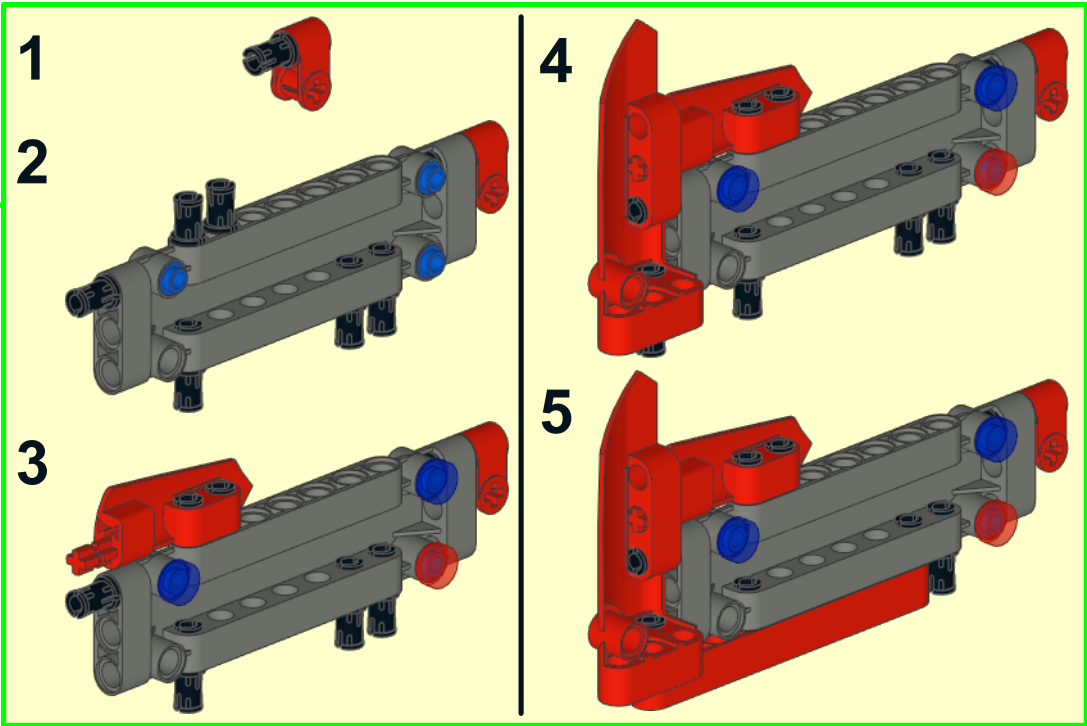
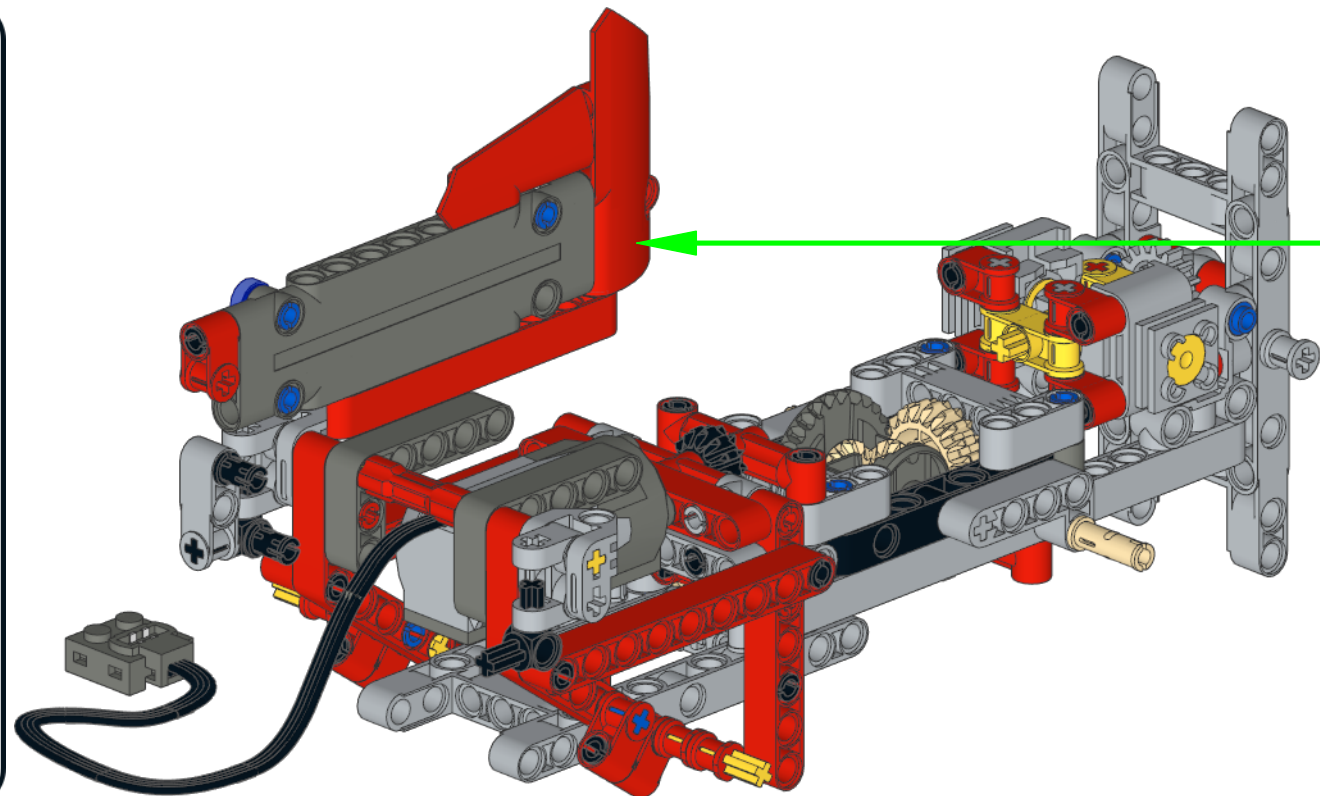
23

-  1x
- 2x2
-  1x
- 2x2x2
-  1x



24

- #21  1x
- #4  1x
- 9  1x
- 3x11  1x
- 1x1  1x
- 2x  2x
- 1x1  1x
- 2  2
- 1x  1x
- 1x2  1x2
- 8x  8x
- 1x  1x
- 3x  3x

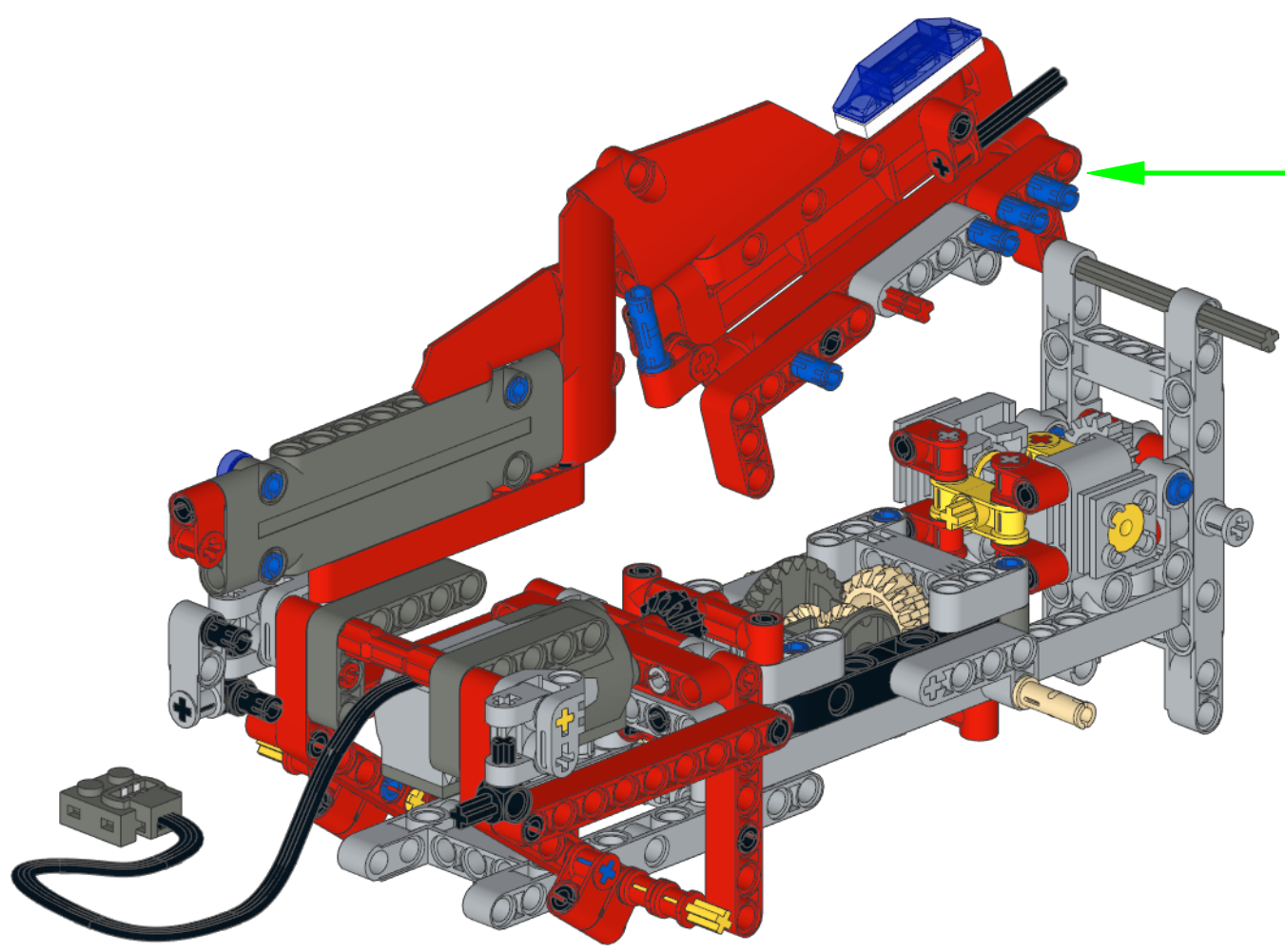




25

311x1x0.667

		#3						2
2x	1x	8	1x	5x	1x2	2x	2x	
								2x
1x	1x	5x	1x	1x	1x	1x	1x	1x



**1**



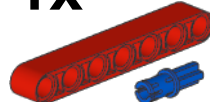

**2**

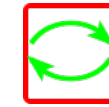
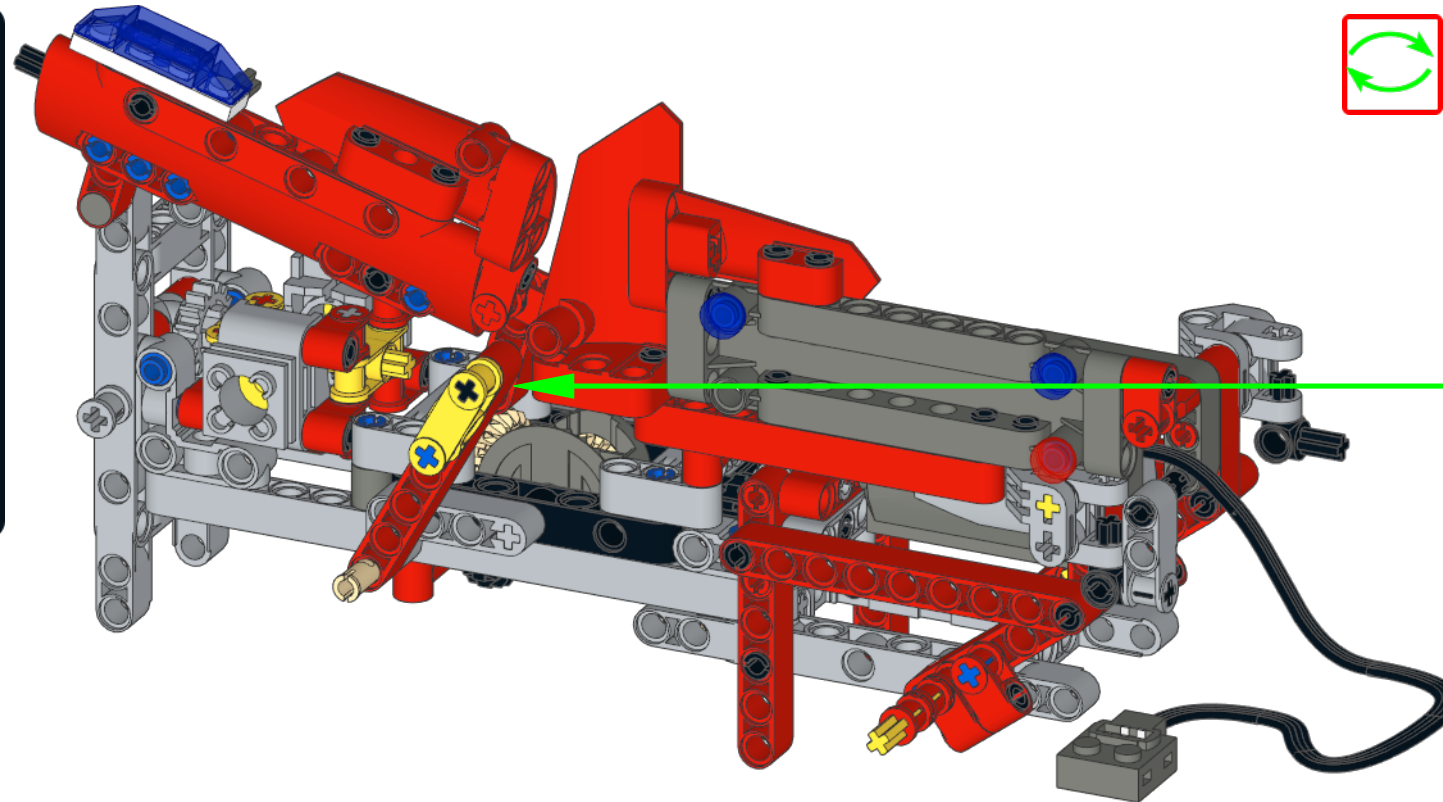
**3**

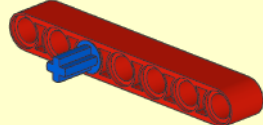
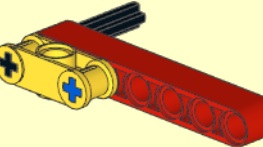
**4**

**5**

26

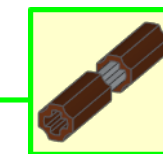
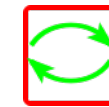
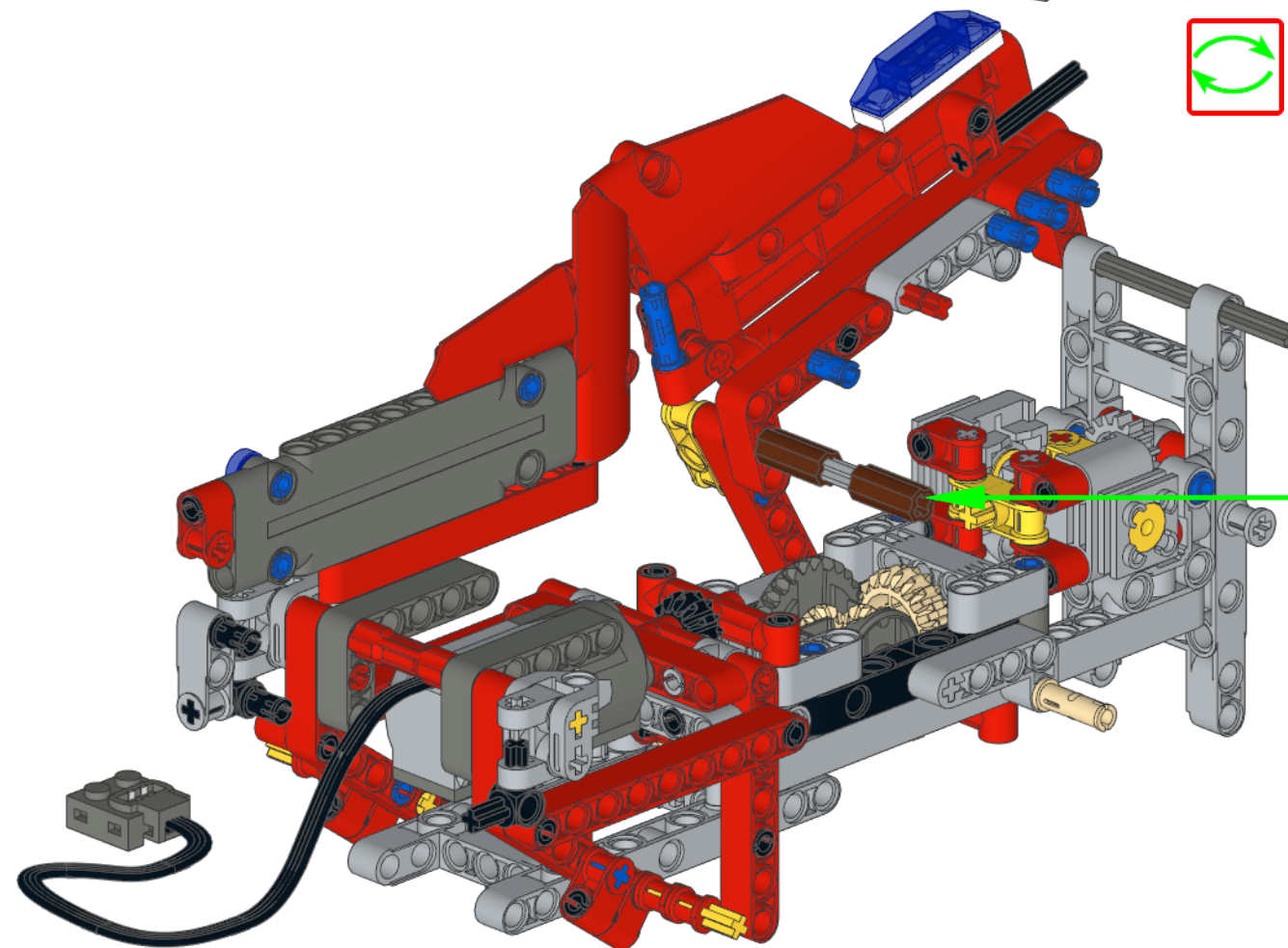
- 1x3 
- 1x 4 
- 1x 7 
- 1x 1x 



- 1 
- 2 

27

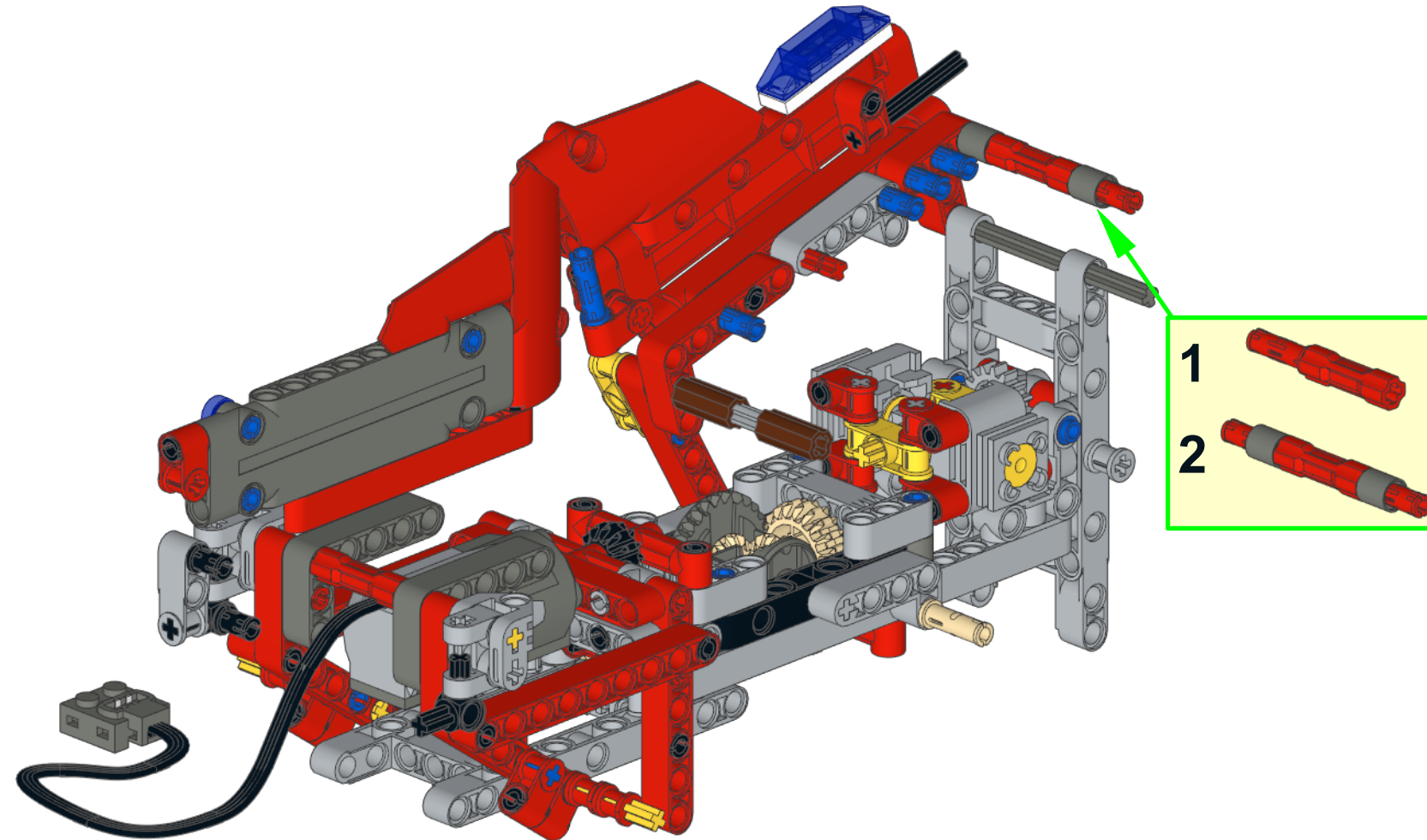
- 2x 
- 3 
- 1x 



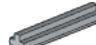

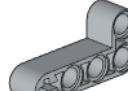
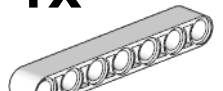
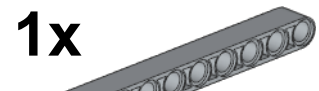





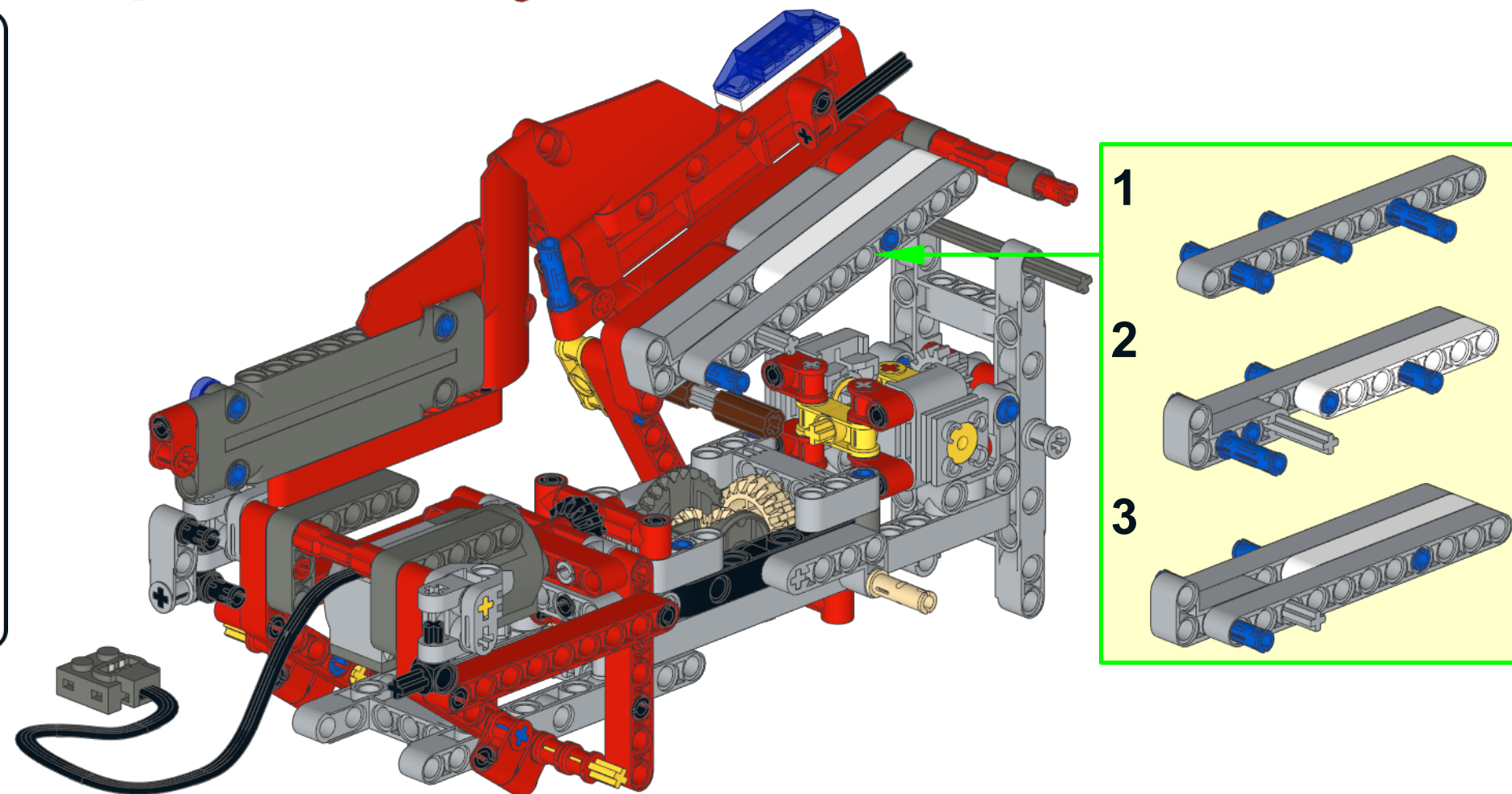
# 28

- 1 
- 2x 
- 2x 
- 1x 



# 29

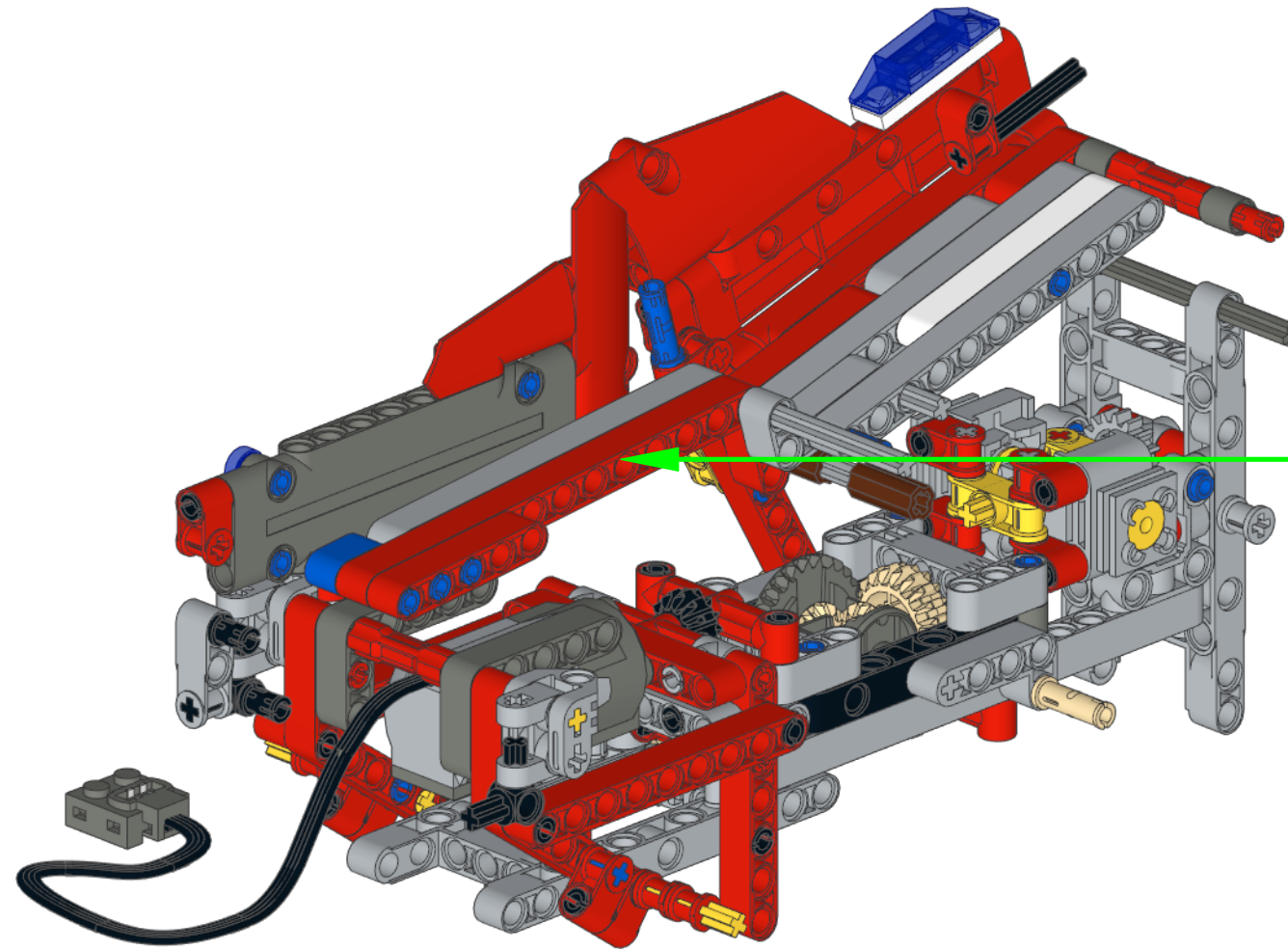
- 3 
- 1x 
- 2x4 
- 1x 
- 7 
- 11 
- 2x 
- 4x 





# 30

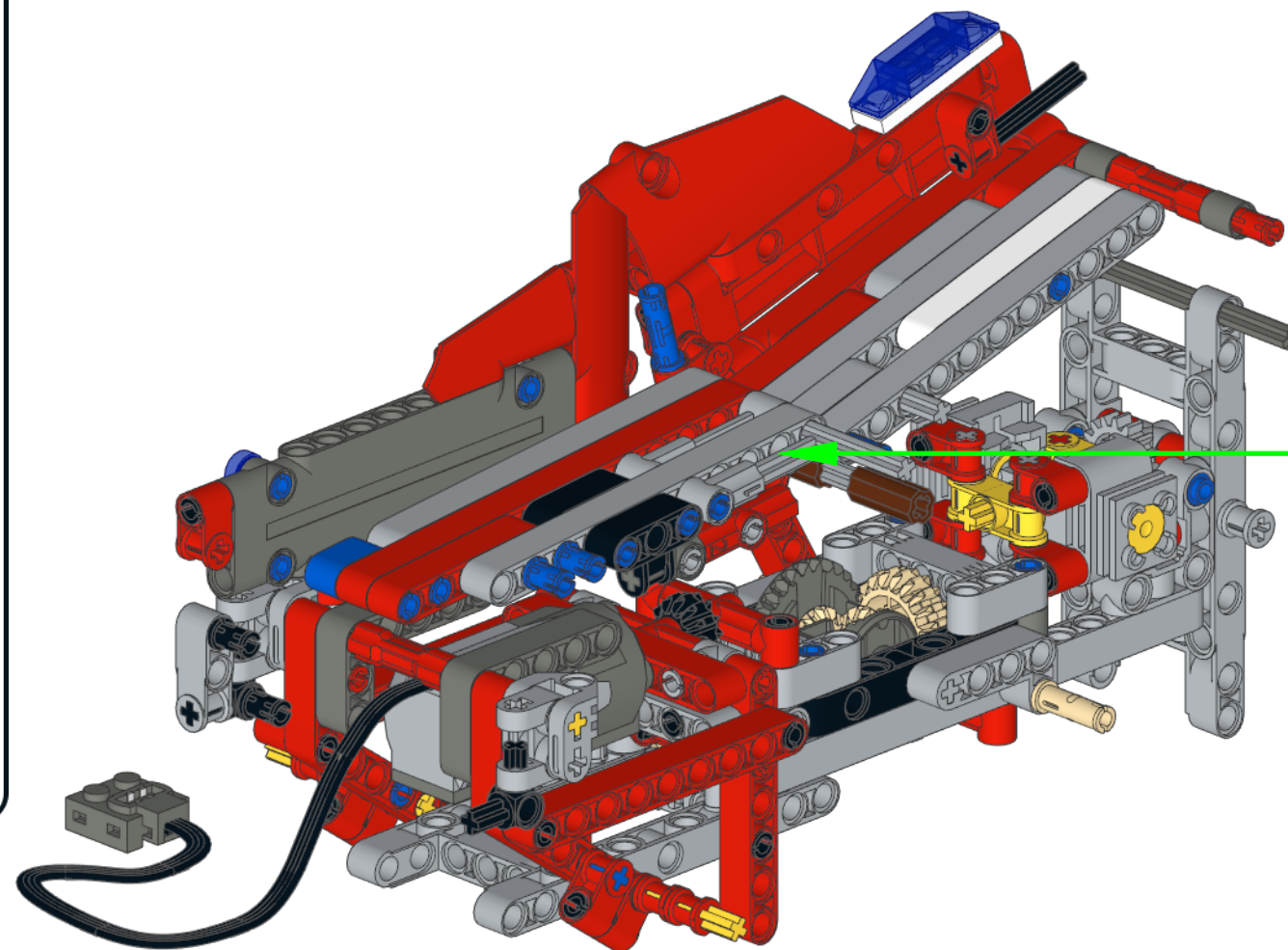
- 2
- 1x 5
- 1x 7
- 1x 11
- 1x 13
- 1x
- 3x



- 1
- 2
- 3

# 31







- 1x3
- 1x
- #2
- 2x
- #1
- 2x
- 3x2
- 3
- 2x
- 11
- 2x
- 3
- 1x
- 5x
- 2x

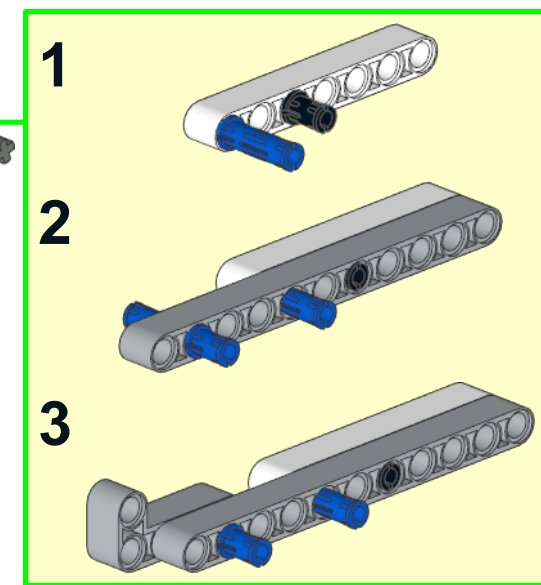
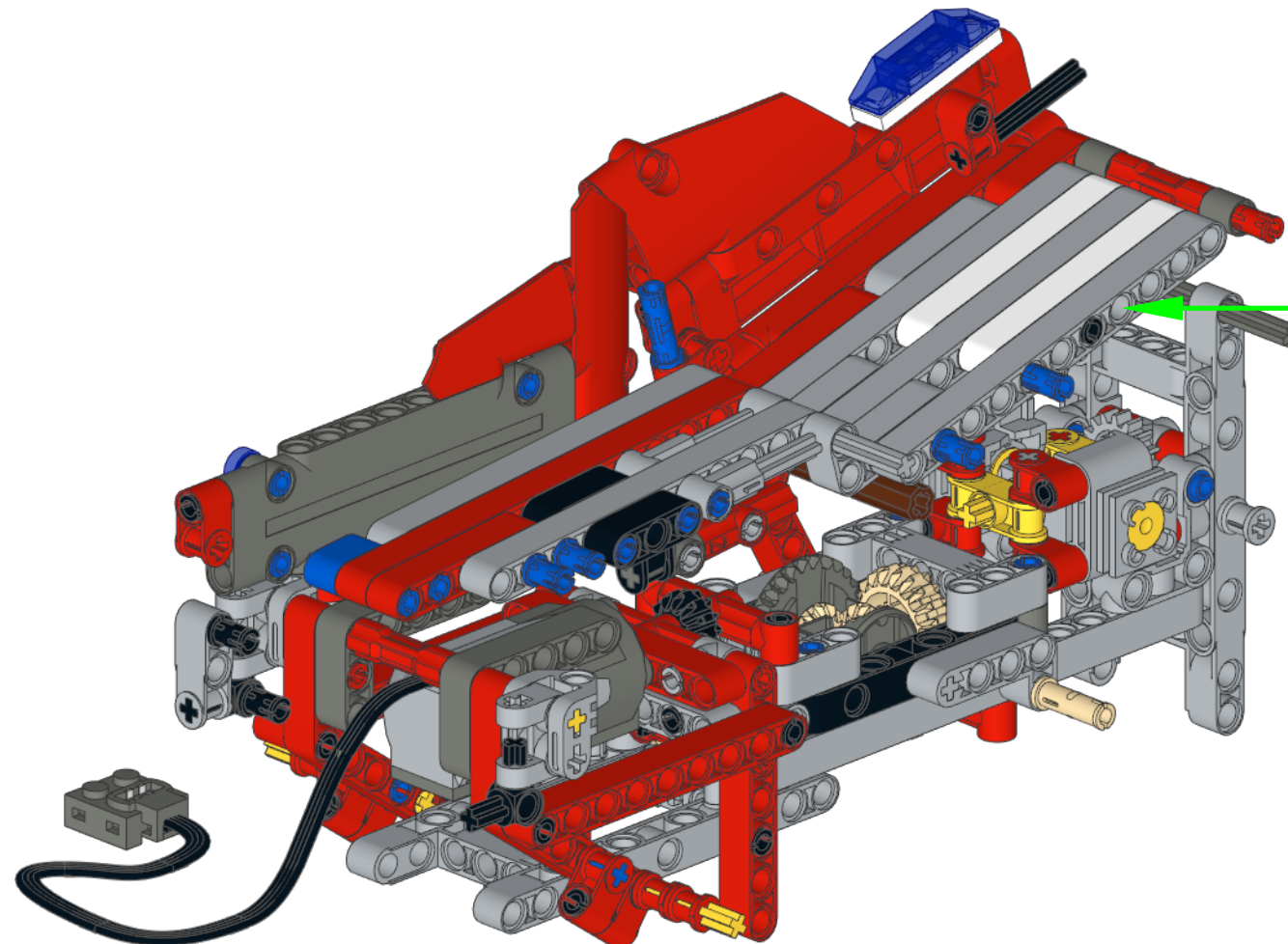


- 1
- 2
- 3
- 4
- 5
- 6
- 7









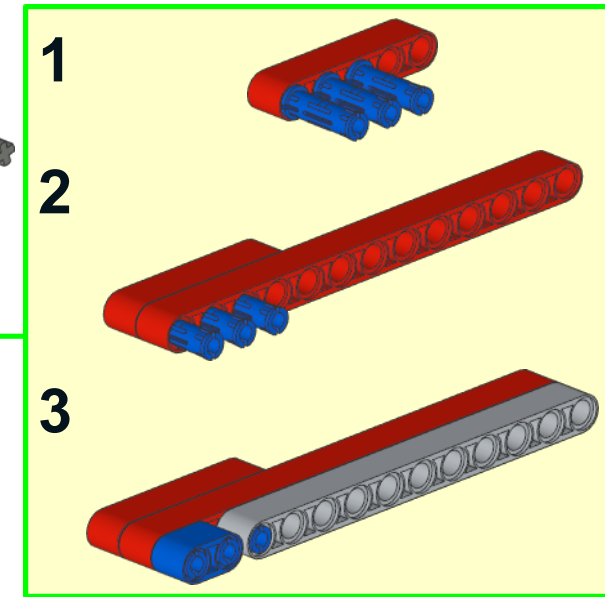
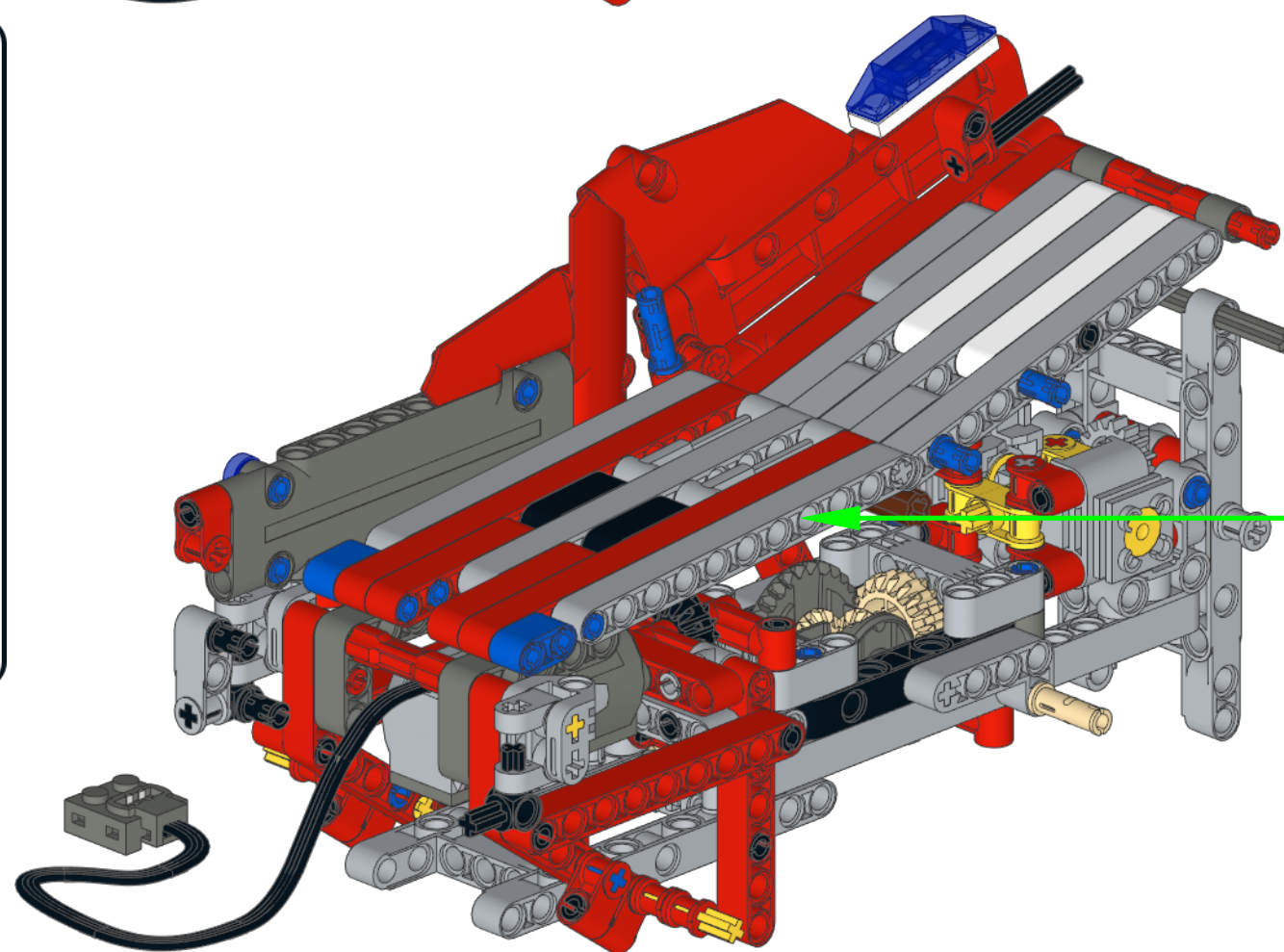
# 32

-  1x
-  2x4
-  1x 7
-  1x 11
-  1x
-  2x



# 33

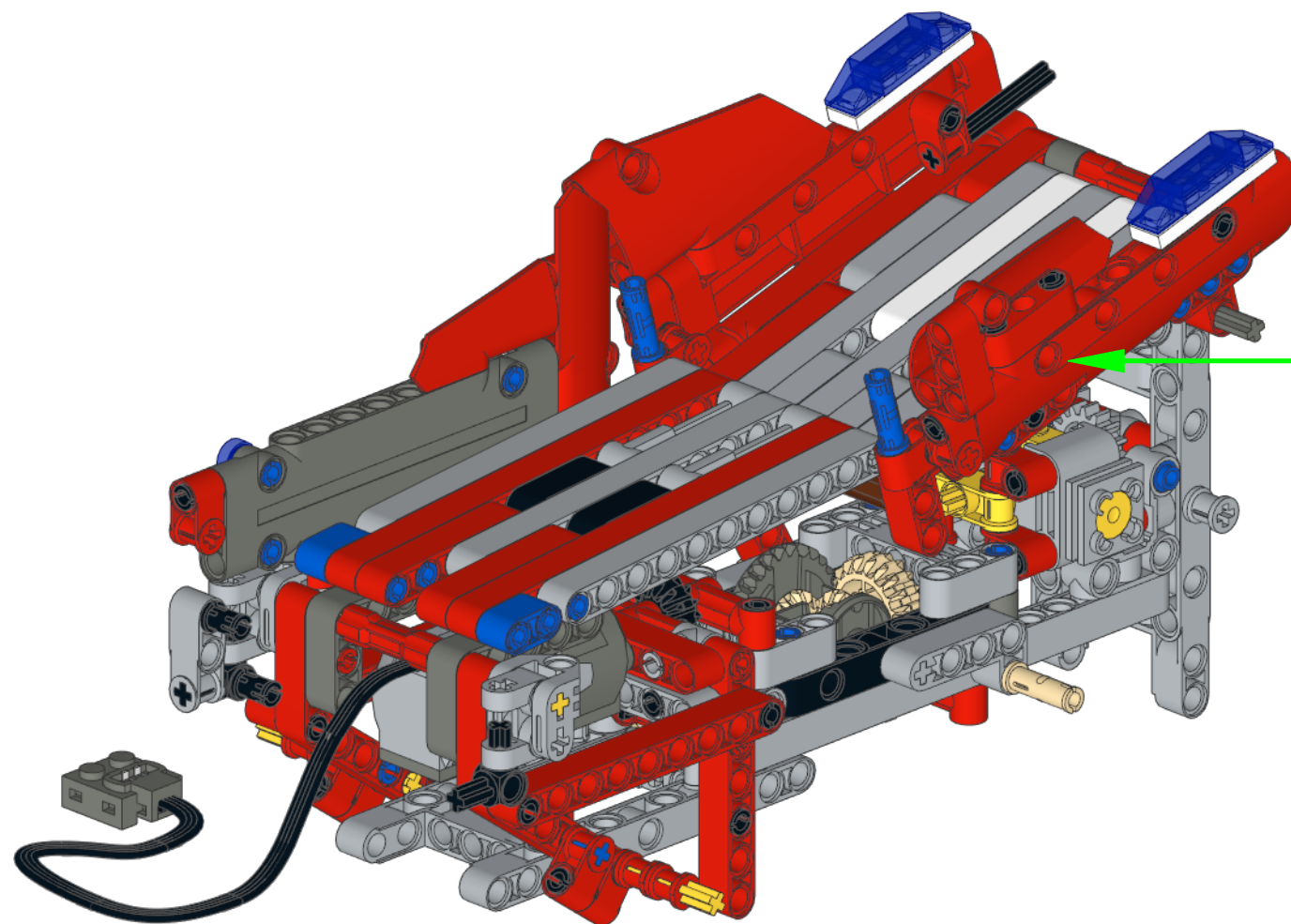
-  2
-  1x 5
-  1x 11
-  1x 13
-  1x
-  3x



# 34


311x1x0.667

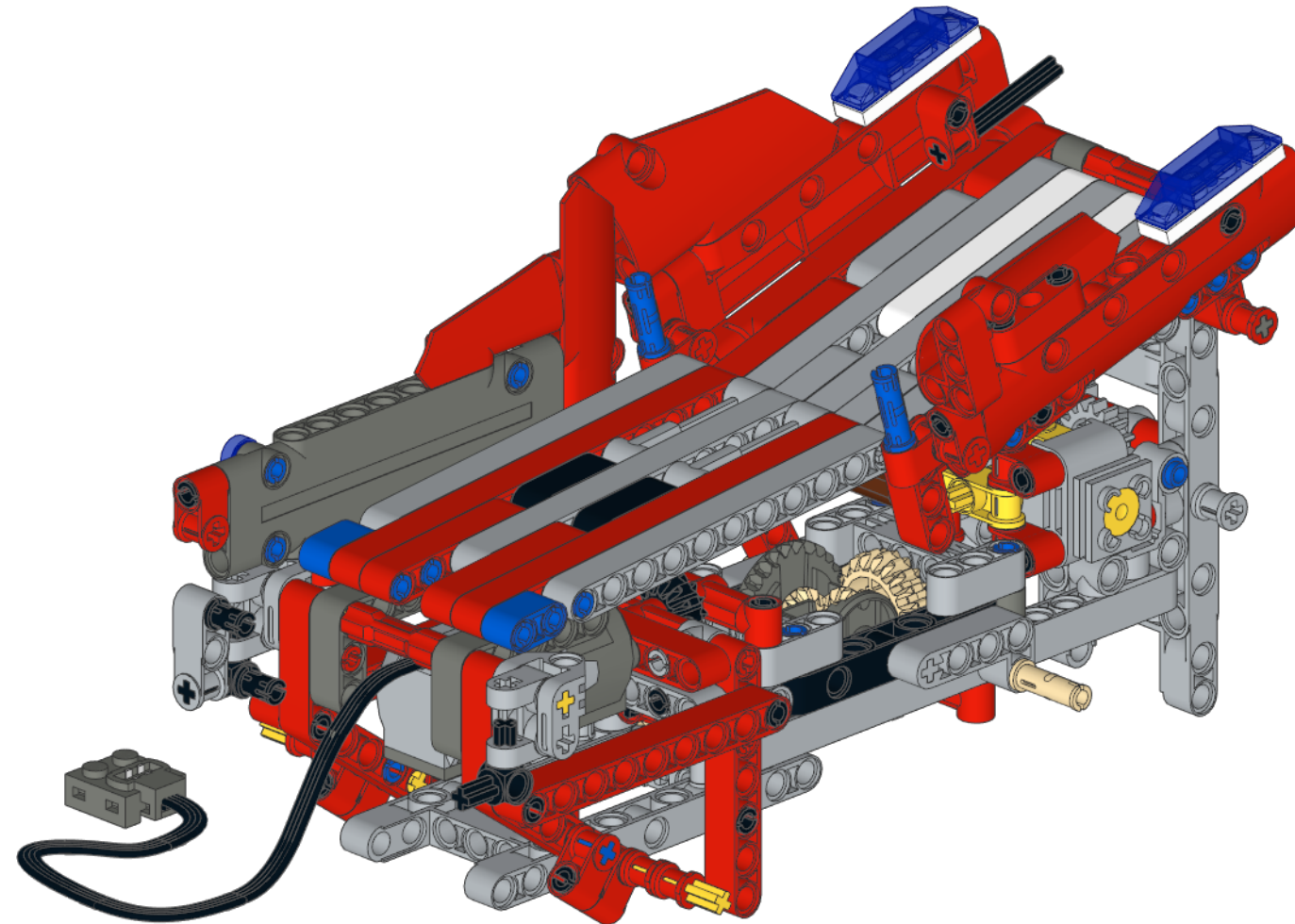
	1x4		6x	1x2	5x	1x2	1x2		
2x	1x	#4	3x5	2x4	3x	3x3	1x 2x		
									2
1x	1x	1x	1x	1x	1x	1x	1x	2x	



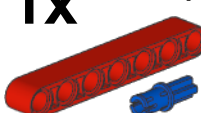




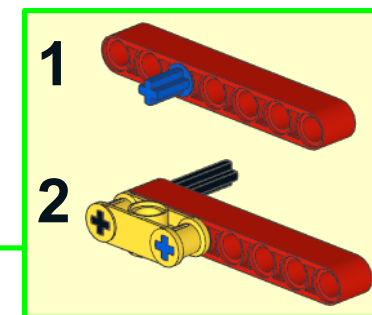
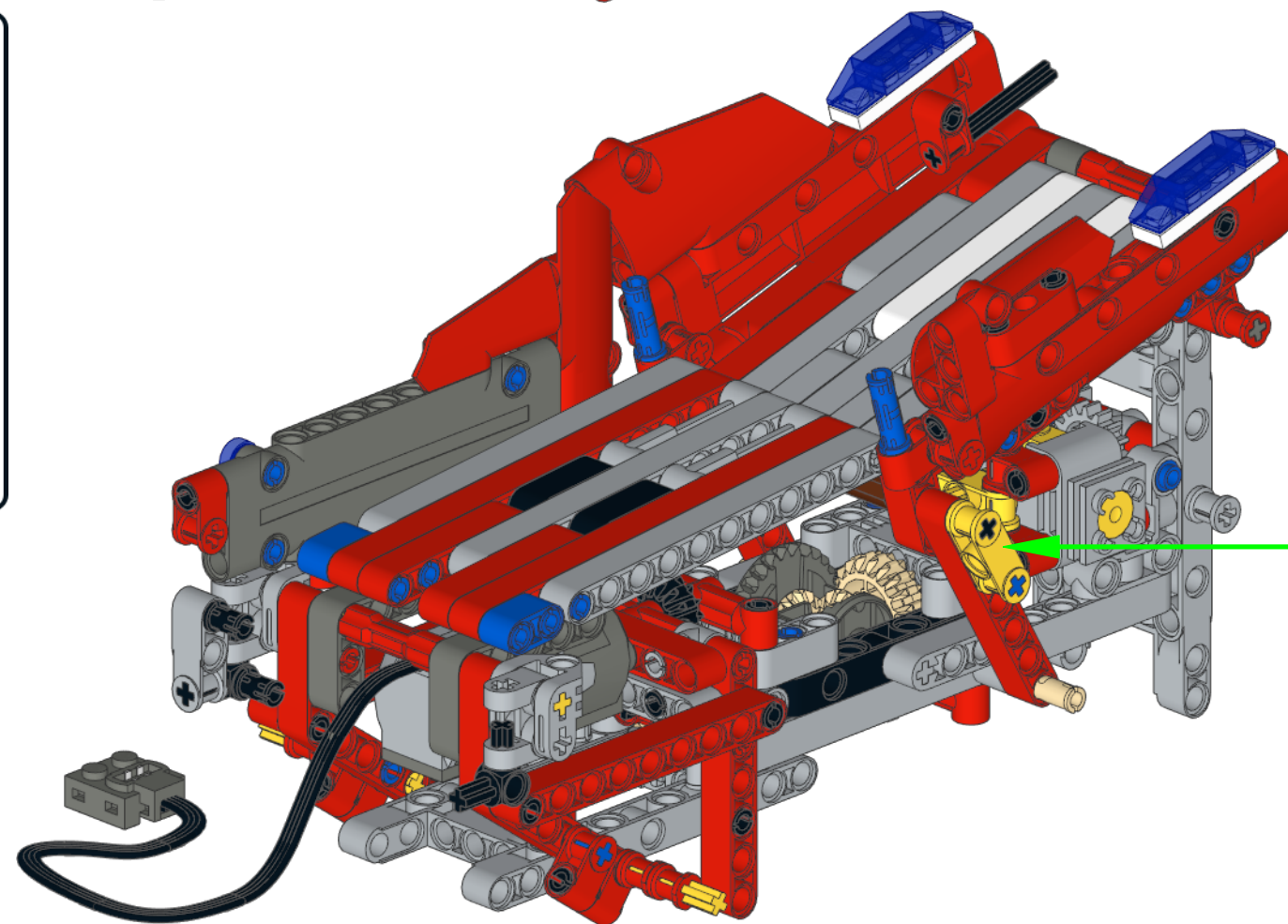
- 
- 
- 
- 
-



35  1x



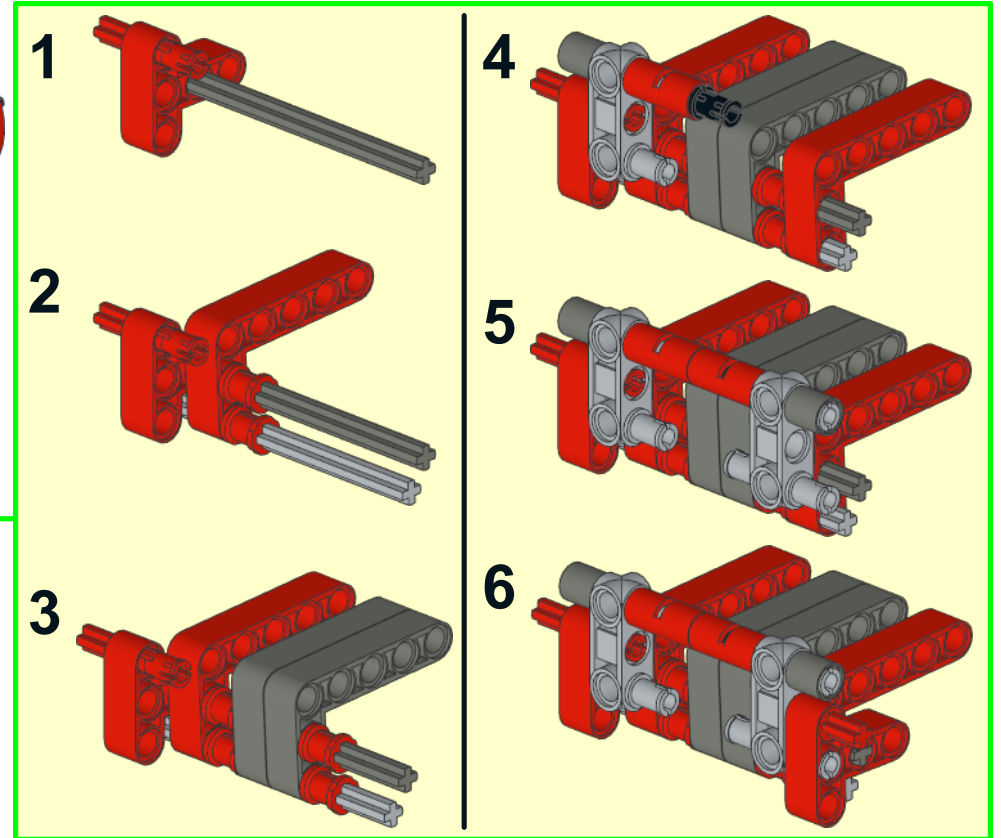
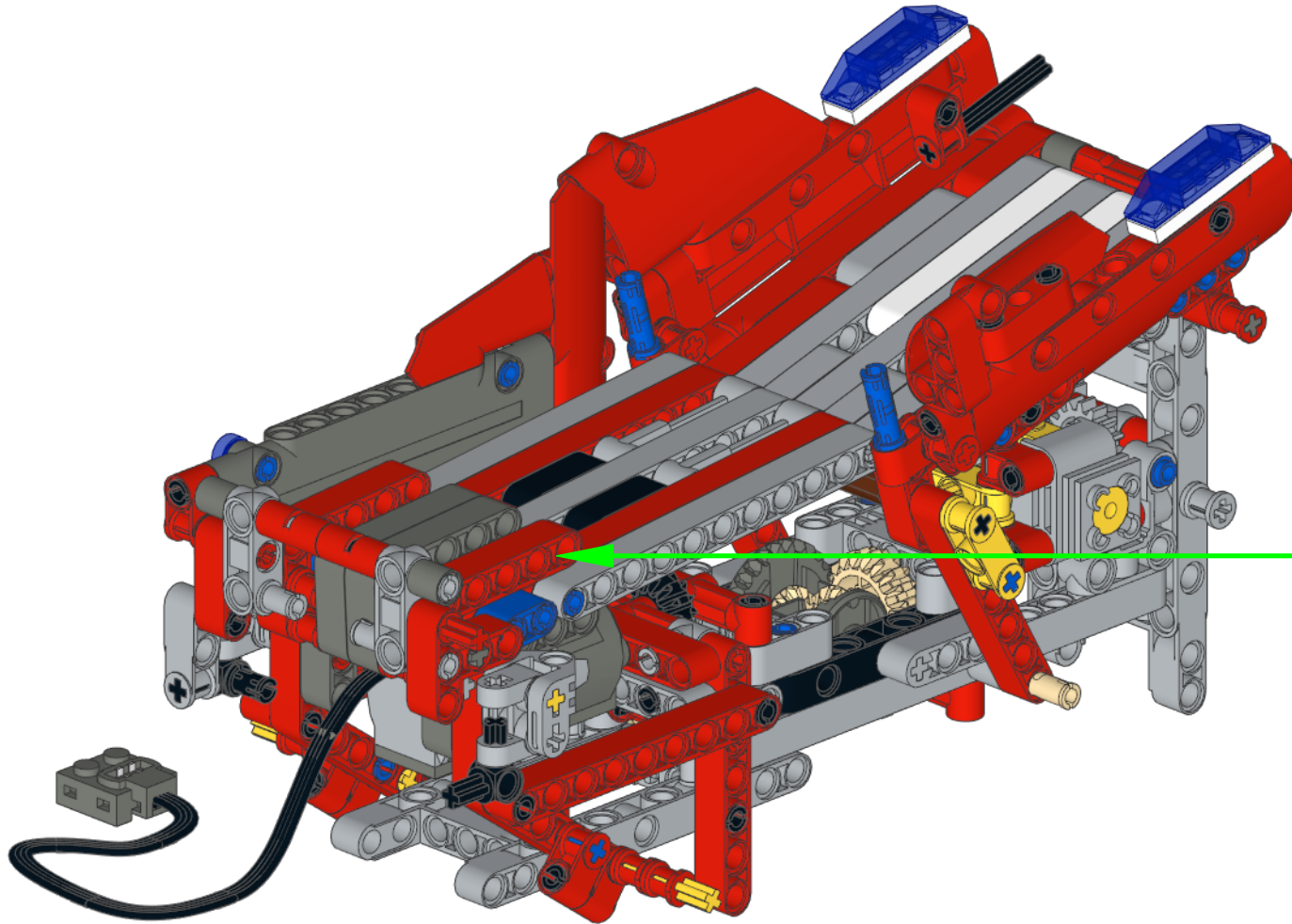
36  1x3  
 1x 4  
 1x 7  
 1x  
 1x





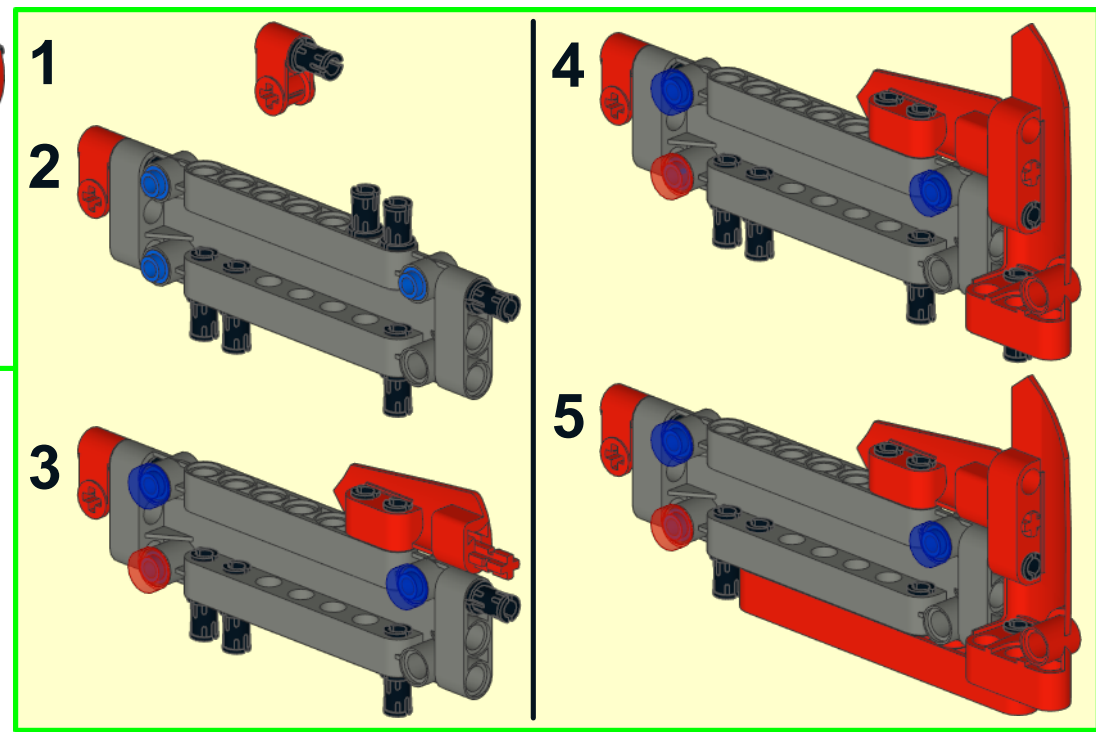
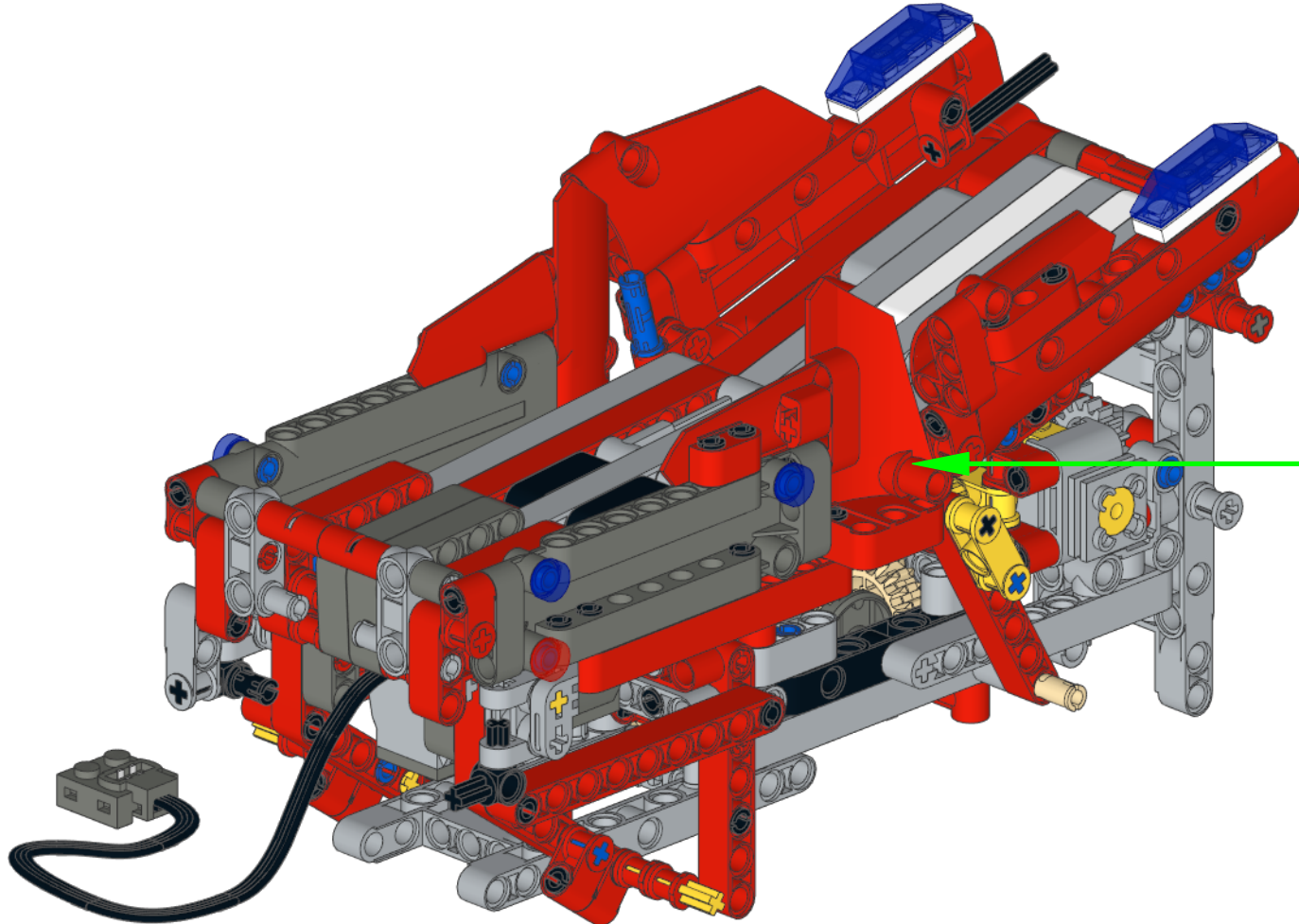
# 37

- 3x5
- 2x
- 1
- 2x
- 3x5
- 1x3
- 2x
- 7
- 2x
- 1x
- 8
- 3x3
- 1x
- 2x
- 2x
- 4x



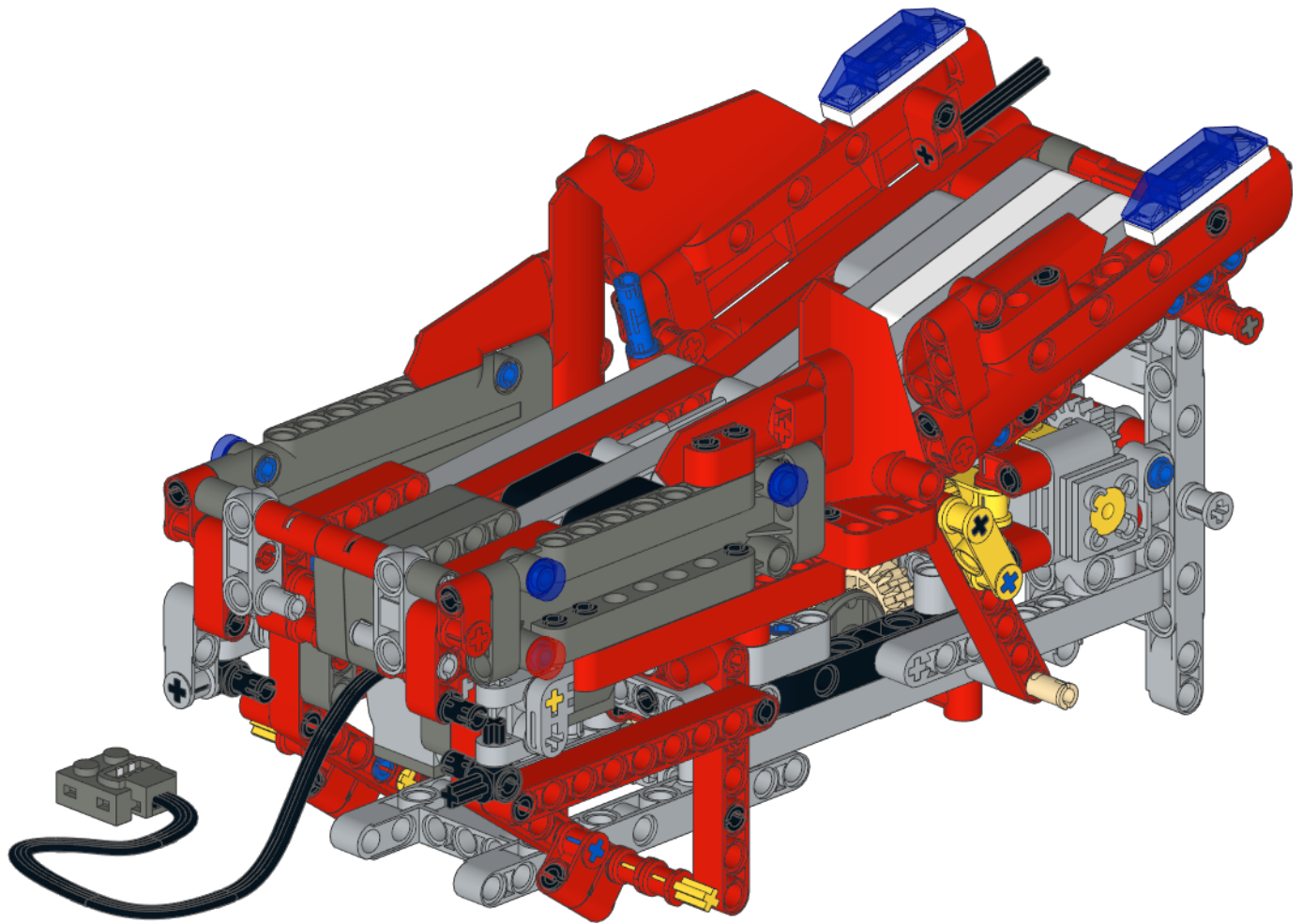
# 38



- 1x2
- 1x
- #22
- 1x
- #3
- 3x
- 1x
- 9
- 1x1
- 2x
- 1x1
- 1x
- 3x11
- 1x
- 2
- 8x
- 1x

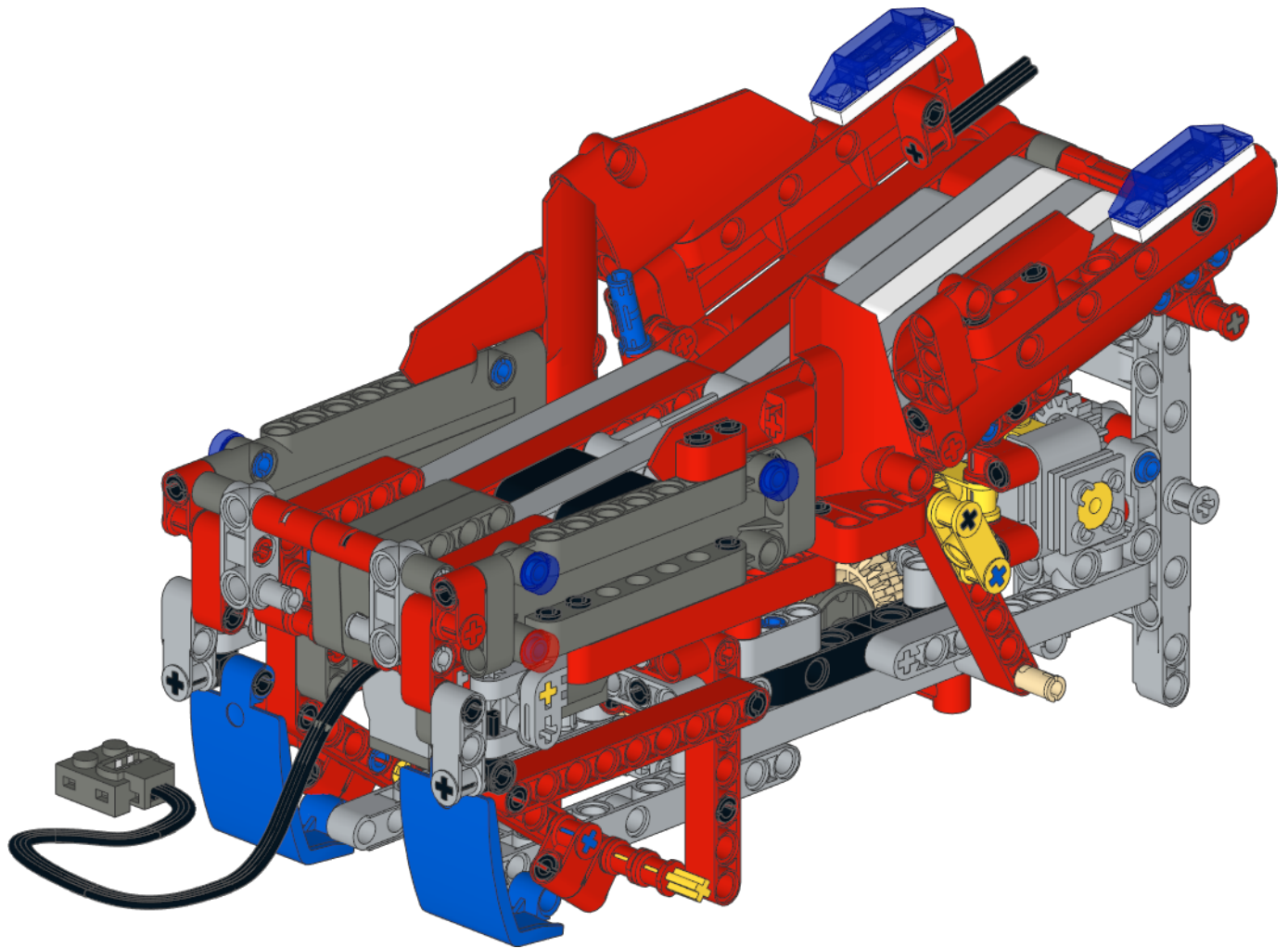






39  2x

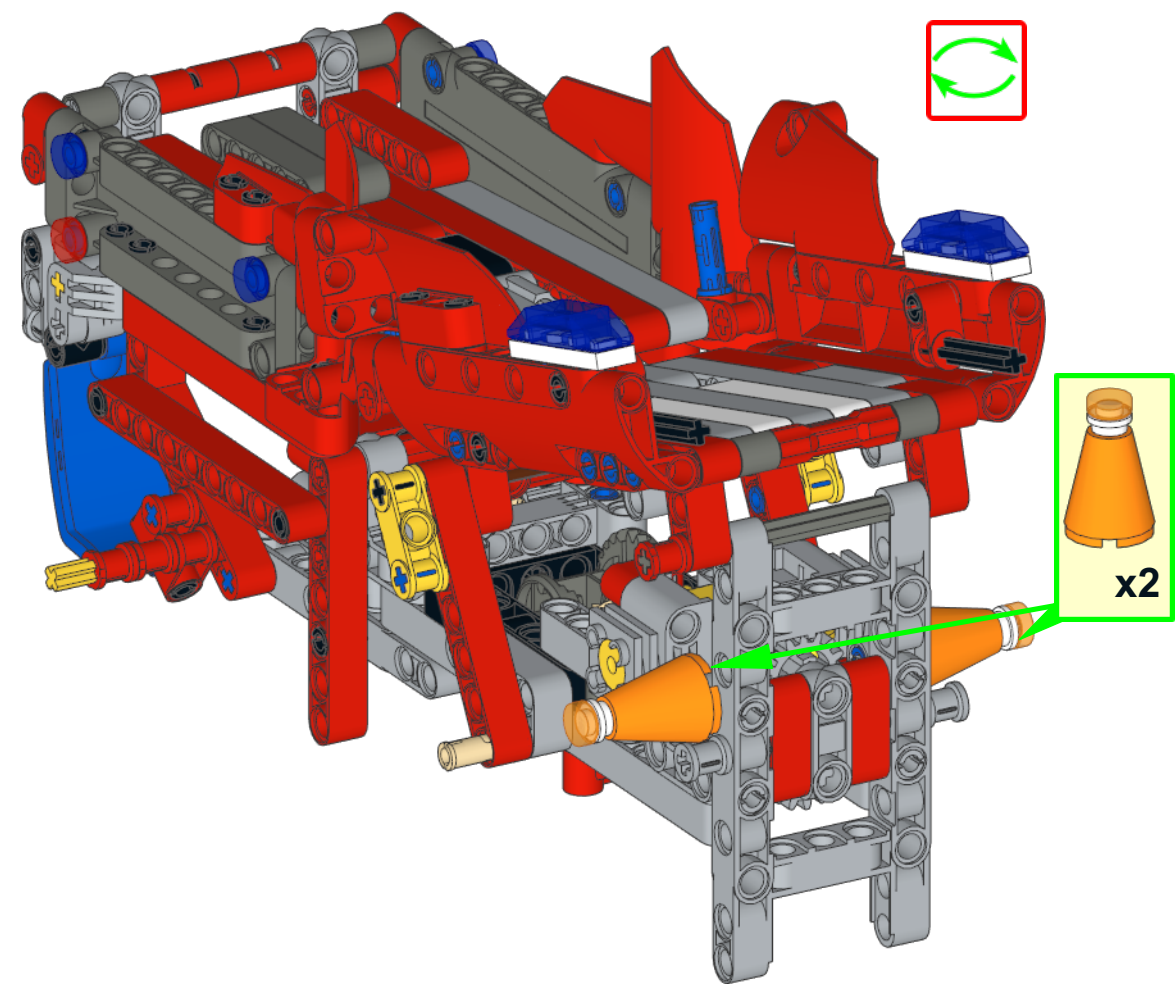


40  1x3  
**1x**  4x5x3  
**2x**












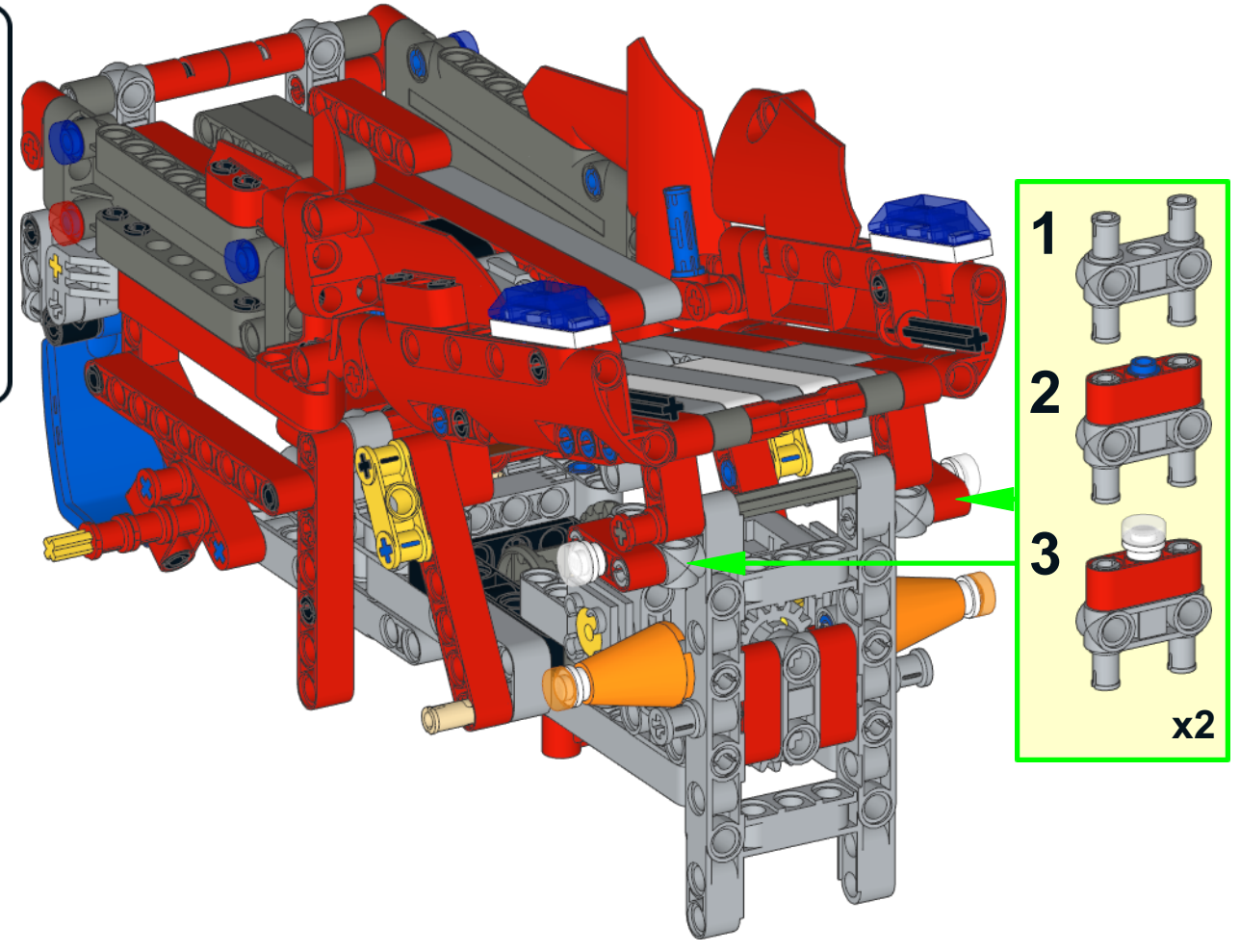
41

- 1x1 
- 2x 
- 1x1 
- 2x 
- 2x 

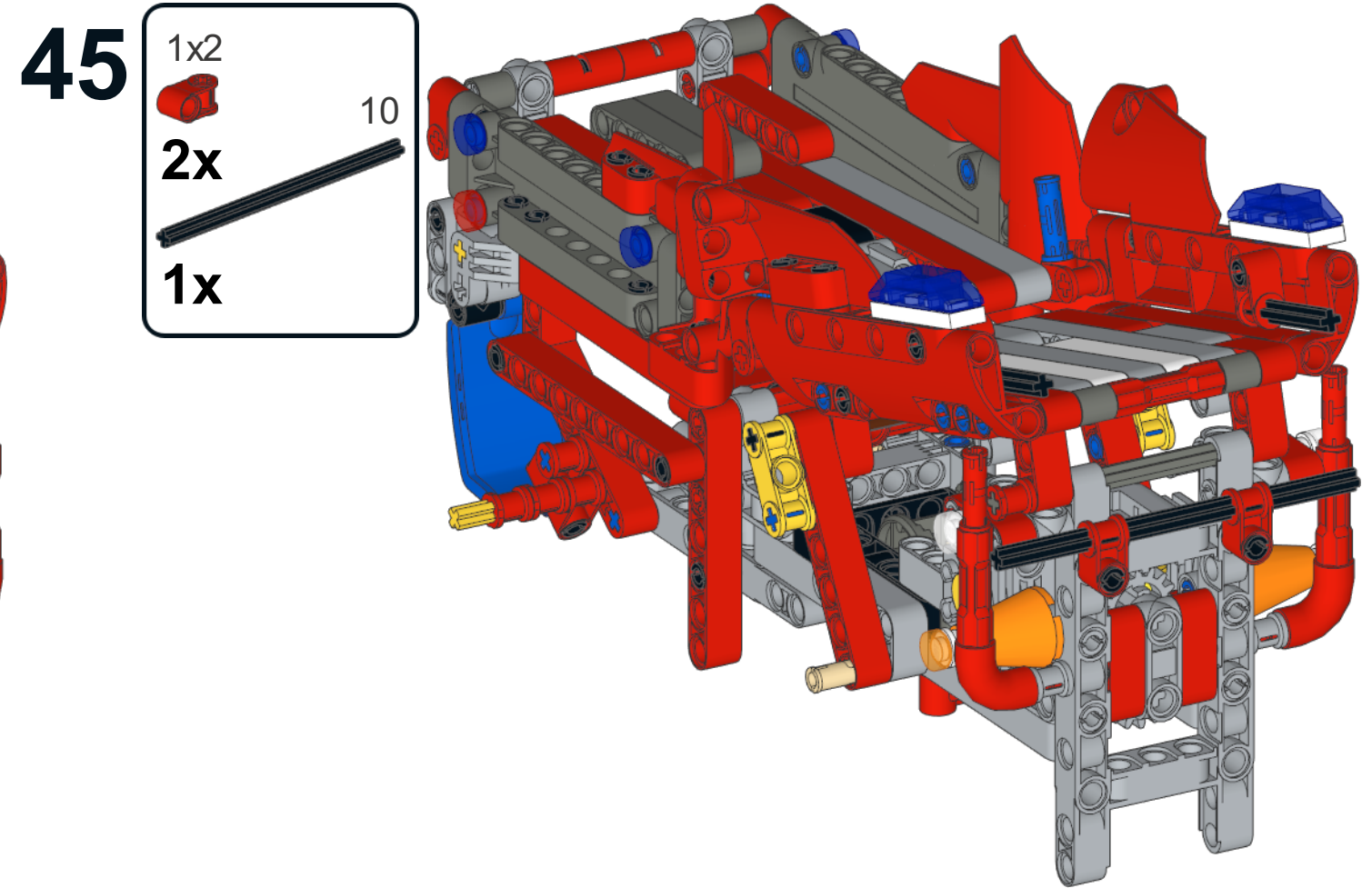
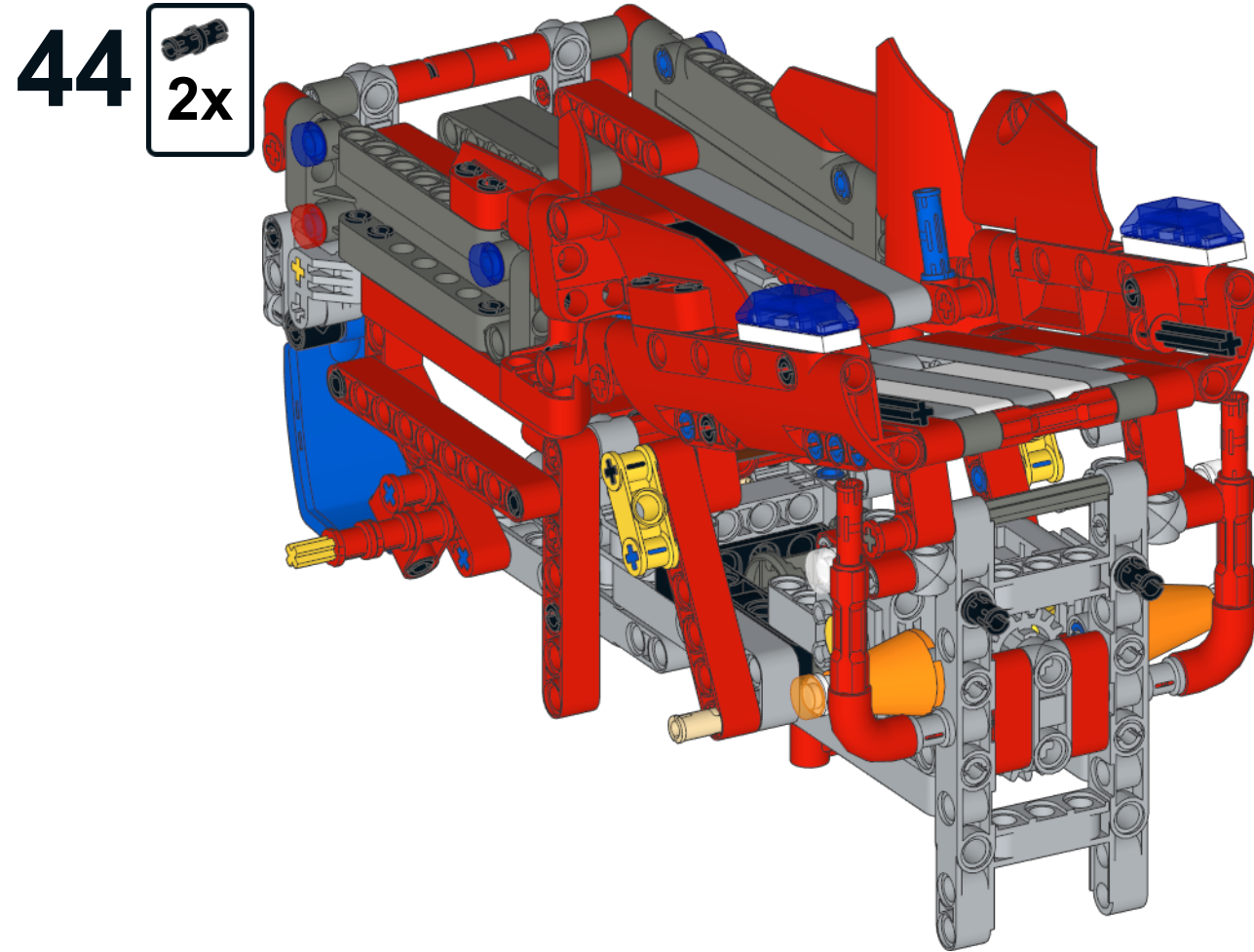
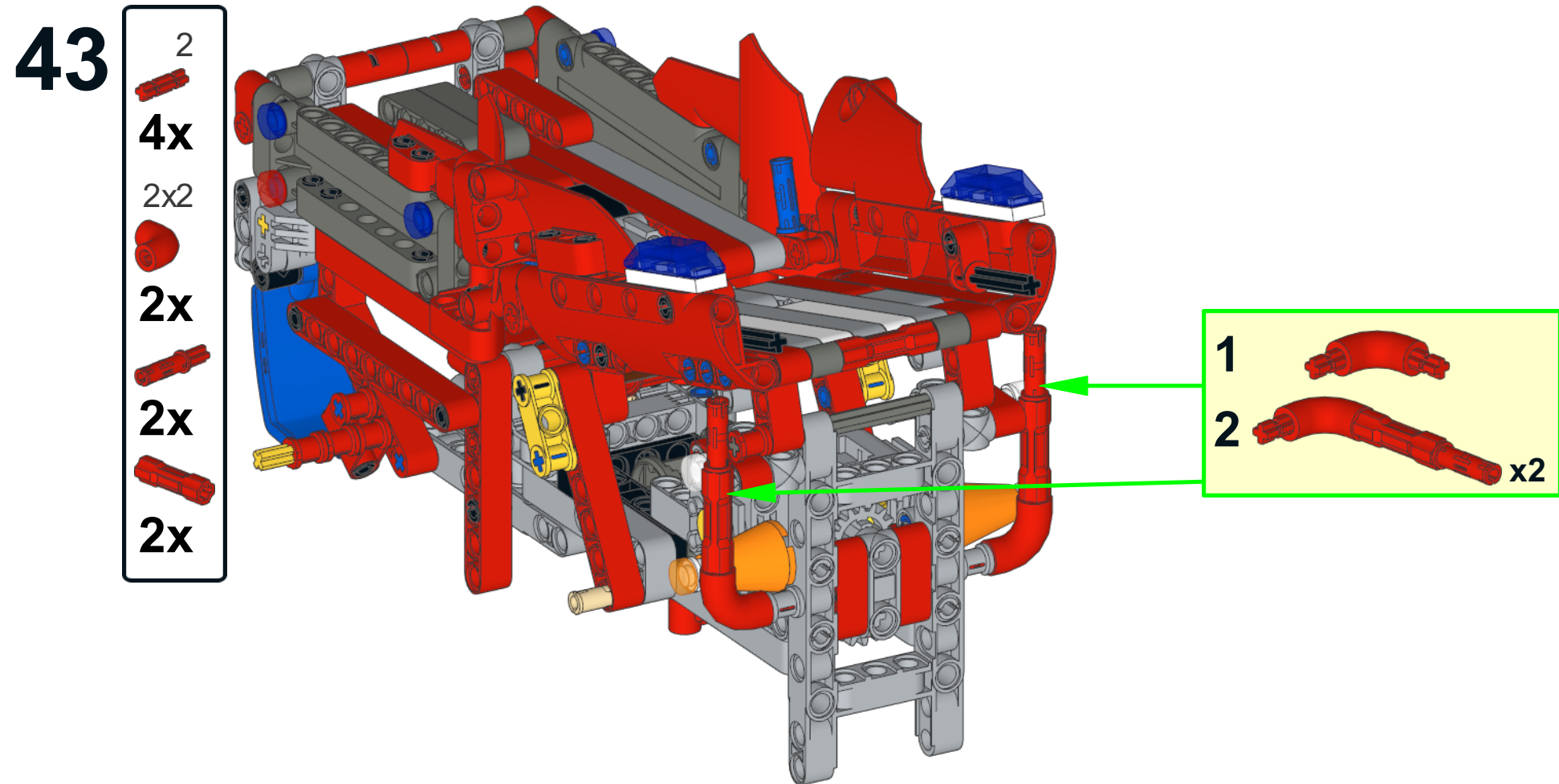


42

- 1x1 
- 2x 
- 2x 
- 1x3 
- 3 
- 2x 
- 1x1 
- 2x 
- 2x 









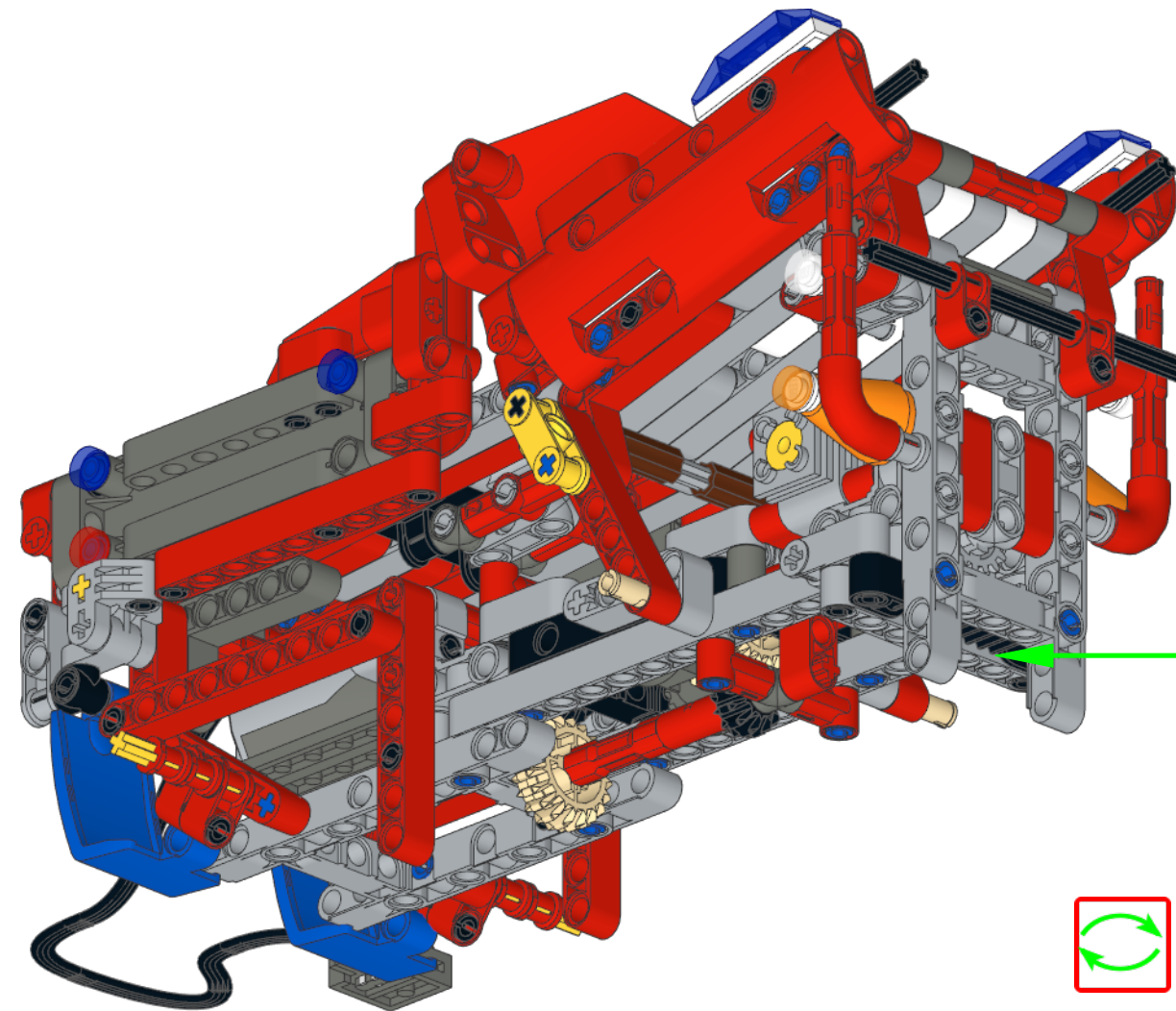


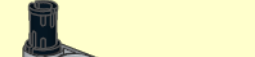

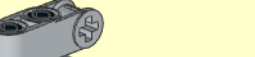


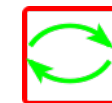


# 46

-  4x
-  1x3
-  2x
-  1x7
-  1x 7
-  2x

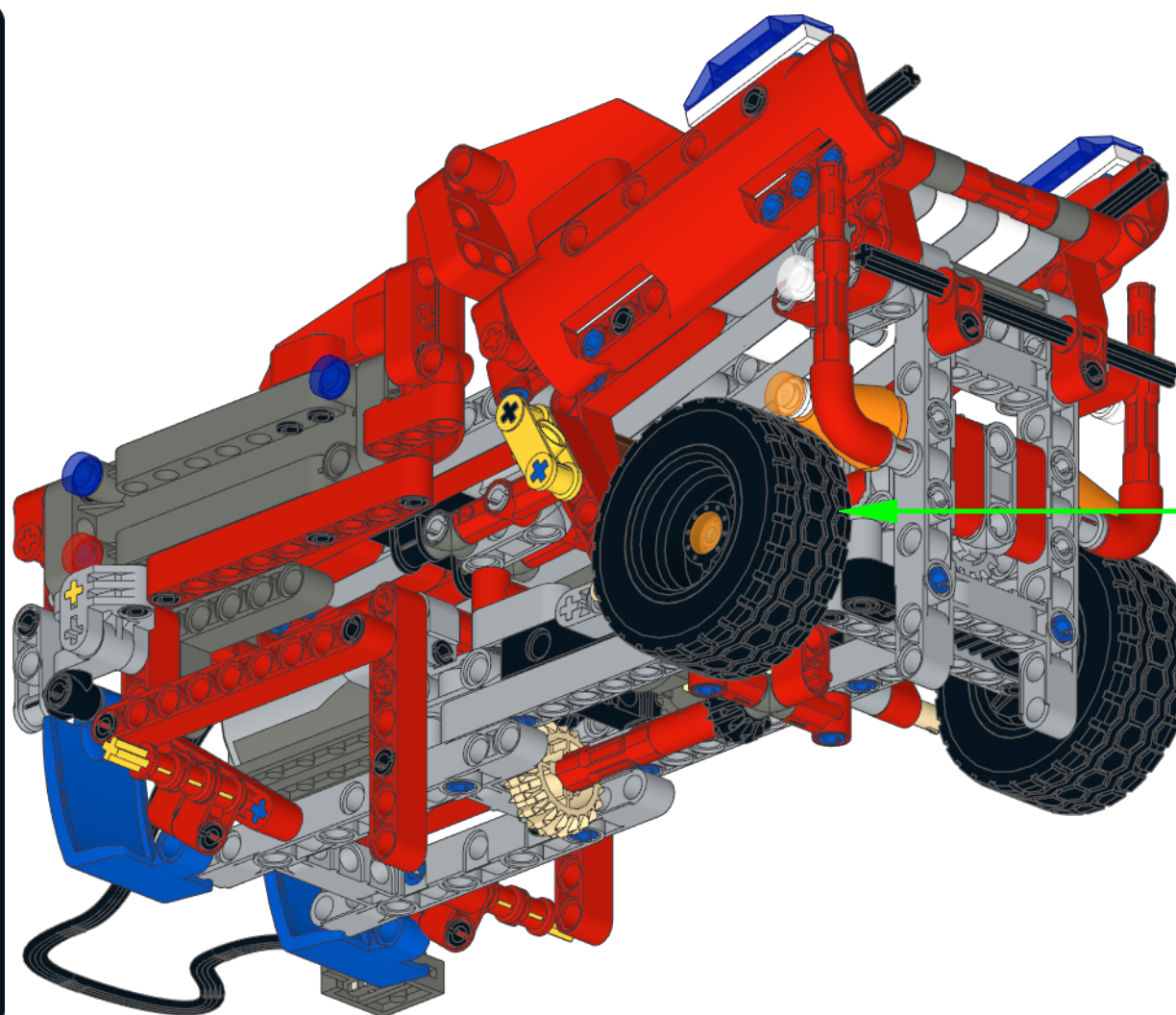



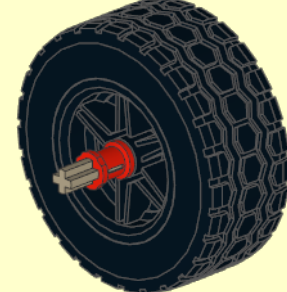
- 1 
- 2 
- 3 



# 47

-  1x1
-  2x
-  3
-  2x
-  20x30
-  2x
-  20/48x30
-  2x



- 1 
  - 2 
- x2



48

20x30

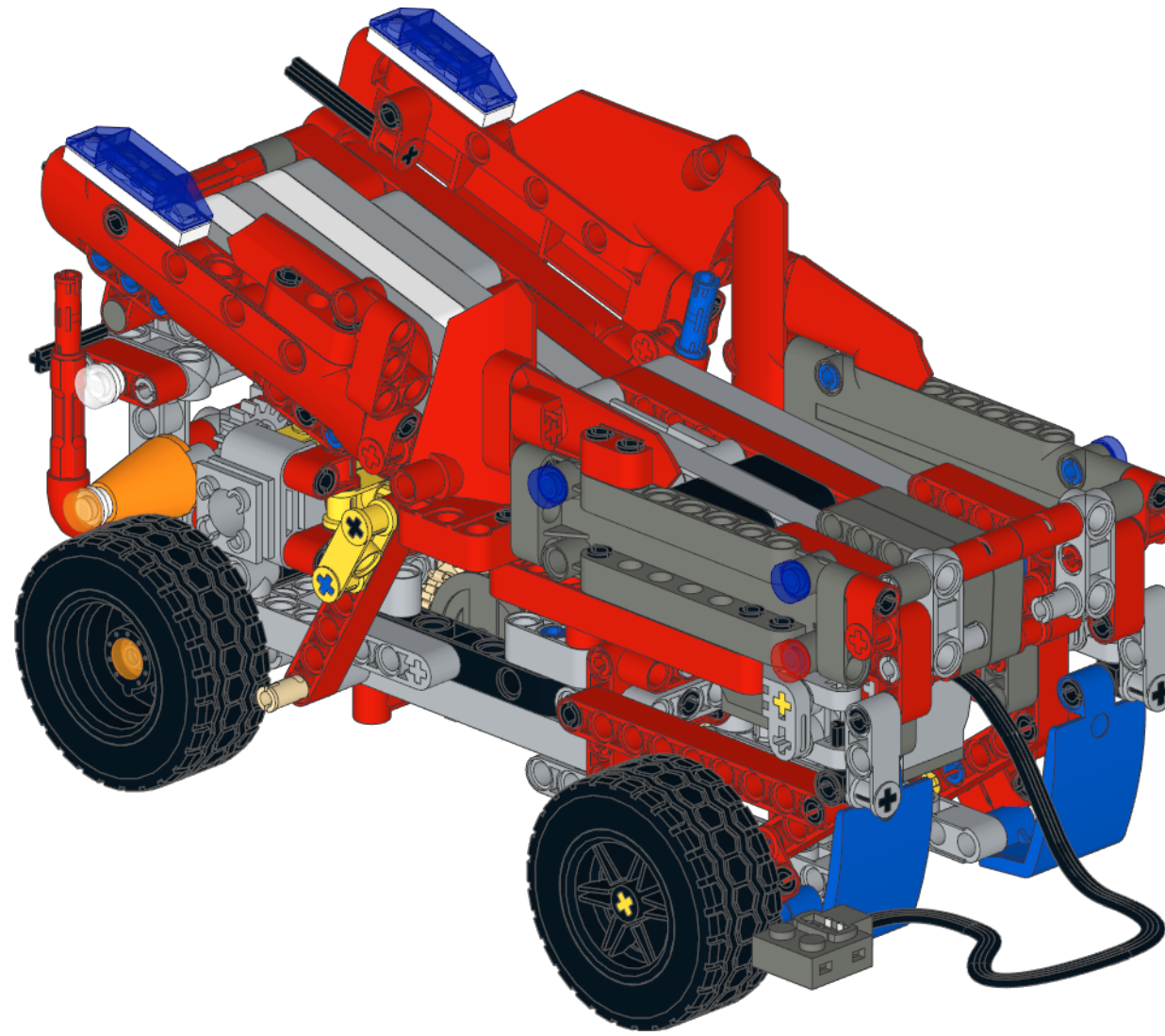


1x

20/48x30



1x



49

20x30

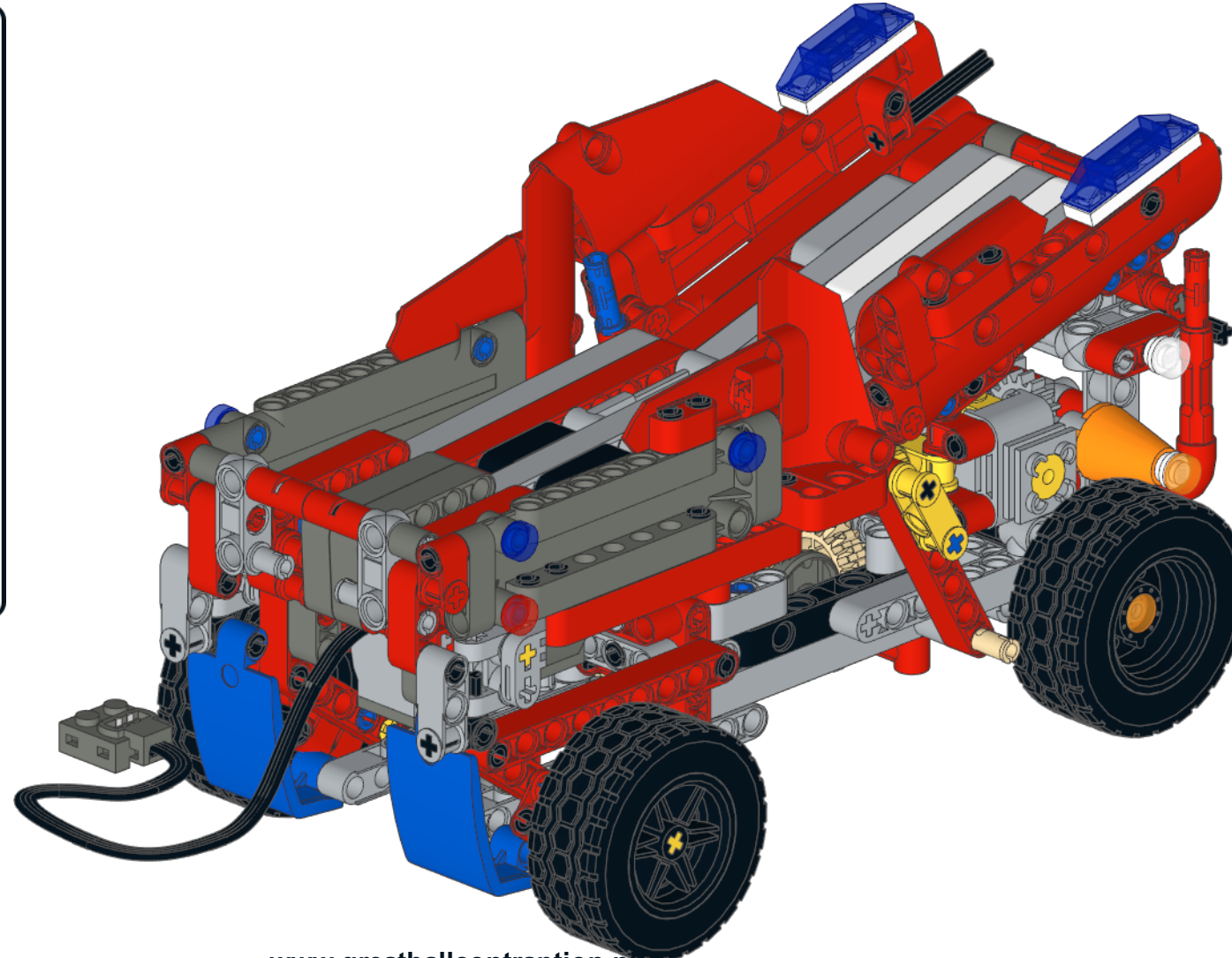


1x

20/48x30



1x



42075-c

Model instructions by Maico Arts

Copyright © 2018

[www.greatballcontraption.nl](http://www.greatballcontraption.nl)

[lego@t-hok.nl](mailto:lego@t-hok.nl)

**LEGO® is a registered trademark of the LEGO Group,  
which does not sponsor, endorse, or authorize these  
instructions or the model they depict.**

Instructions configured and generated using LPub3D "2"."2"."1".0.824  
Download LPub3D at <https://trevorsandy.github.io/lpub3d/>

